

ENGINE

4G6 SERIES

CONTENTS

GENERAL INFORMATION	11A-0-3
1. SPECIFICATIONS	11A-1-1
SERVICE SPECIFICATIONS	11A-1-1
TORQUE SPECIFICATIONS	11A-1-4
NEW TIGHTENING METHOD - BY USE OF BOLTS TO BE TIGHTENED IN PLASTIC AREA ..	11A-1-9
SEALANTS	11A-1-9
FORM-IN-PLACE GASKET	11A-1-10
2. SPECIAL TOOLS	11A-2-1
3. ALTERNATOR AND IGNITION SYSTEM	11A-3-1
3a. INTAKE MANIFOLD (GDI)	11A-3a-1
4. TIMING BELT	11A-4-1
4a. EXHAUST MANIFOLD (GDI)	11A-4a-1
5. FUEL AND EMISSION CONTROL PARTS	11A-5-1
5a. FUEL PARTS (GDI)	11A-5a-1
6. WATER PUMP AND INTAKE MANIFOLD	11A-6-1
6a. WATER PUMP AND WATER HOSE (GDI)	11A-6a-1
7. EXHAUST MANIFOLD	11A-7-1
8. ROCKER ARMS AND CAMSHAFT	11A-8-1
8a. ROCKER ARMS AND CAMSHAFTS (GDI)	11A-8a-1
9. CYLINDER HEAD AND VALVES	11A-9-1
10. FRONT CASE, COUNTERBALANCE SHAFTS AND OIL PAN	11A-10-1
11. PISTON AND CONNECTING ROD	11A-11-1
12. CRANKSHAFT, FLYWHEEL AND DRIVE PLATE	11A-12-1

NOTES

GENERAL INFORMATION**SOHC-4G63**

Descriptions			Specifications
Type			In-line OHV, SOHC
Number of cylinders			4
Combustion chamber			Pentroof type
Total displacement dm ³			1,997
Cylinder bore mm			85.0
Piston stroke mm			88.0
Compression ratio			10
Valve timing	Intake valve	Opens (BTDC)	18°
		Closes (ABDC)	58°
	Exhaust valve	Opens (BBDC)	58°
		Closes (ATDC)	18°
Lubrication system			Pressure feed, full-flow filtration
Oil pump type			Involute gear type

SOHC-4G64

Descriptions			Specifications
Type			In-line OHV, SOHC
Number of cylinders			4
Combustion chamber			Pentroof type
Total displacement dm ³			2,351
Cylinder bore mm			86.5
Piston stroke mm			100.0
Compression ratio			10
Valve timing	Intake valve	Opens (BTDC)	16°
		Closes (ABDC)	53°
	Exhaust valve	Opens (BBDC)	50°
		Closes (ATDC)	16°
Lubrication system			Pressure feed, full-flow filtration
Oil pump type			Involute gear type

GDI™

Descriptions		Specifications	
Type		In-line OHV, DOHC	
Number of cylinders		4	
Combustion chamber		Pentroof + curved top piston type	
Total displacement dm ³		2,351	
Cylinder bore mm		86.5	
Piston stroke mm		100.0	
Compression ratio		11.5 or 10.8 *1	
Valve timing	Intake valve	Opens (BTDC)	16° or 22° - -3° *1
		Closes (ABDC)	60° or 50° - 75° *1
	Exhaust valve	Opens (BBDC)	56° or 56° *1
		Closes (ATDC)	16° or 24° *1
Lubrication system		Pressure feed, full-flow filtration	
Oil pump type		Involute gear type	

NOTE

GDI is a trademark of Mitsubishi Motors Corporation.

*1: GDI-V

1. SPECIFICATIONS

SERVICE SPECIFICATIONS

Items			Standard value	Limit
Timing belt				
Auto-tensioner rod projection length mm			12	-
Auto-tensioner rod pushed-in amount [when pushed with a force of 98 - 196 N] mm			1.0 or less	-
Rocker arms and camshaft				
Camshaft cam height mm	4G63 SOHC	Intake	37.39	36.89
		Exhaust	37.14	36.64
	4G64 SOHC	Intake	37.39	36.89
		Exhaust	36.83	36.33
Lash adjuster leak down time [diesel fuel at 15 - 20°C] seconds/mm			3 - 20/1.0	-
Camshaft journal outer diameter mm			45	-
Rocker arms and camshaft (GDI)				
Camshaft cam height mm	Intake		35.79	35.29
	Exhaust		35.49	34.99
Camshaft journal outer diameter mm			26	-
Cylinder head and valves				
Cylinder head flatness of gasket surface mm			Less than 0.05	0.2
Cylinder head grinding limit of gasket surface mm Total resurfacing depth of both cylinder head and cylinder block			-	0.2
Cylinder head overall height mm	SOHC		120	-
	GDI		132	-
Cylinder head bolt shank length mm			-	Maximum 99.4
Valve thickness of valve head (margin) mm	SOHC	Intake	1.0	0.5
		Exhaust	1.2	0.7
	GDI	Intake	1.0	0.5
		Exhaust	1.5	1.0
Valve overall height mm	SOHC	Intake	112.30	111.80
		Exhaust	114.11	113.61
	GDI	Intake	105.5	105.0
		Exhaust	105.7	105.2
Valve stem outer diameter mm			6.0	-

Items			Standard value	Limit
Valve thickness to valve guide clearance mm	SOHC	Intake	0.02 – 0.05	0.10
		Exhaust	0.03 – 0.07	0.15
	GDI	Intake	0.02 – 0.05	0.10
		Exhaust	0.05 – 0.09	0.15
Valve face angle mm			45° – 45.5°	–
Valve spring free length mm	SOHC		50.8	49.8
	GDI		50.5	49.5
Valve spring load/installed height N/mm	SOHC		267/44.2	–
	GDI		240/40.0	–
Valve spring out-of-squareness	SOHC		2° or less	Maximum 4°
	GDI		2° or less	Maximum 4°
Valve seat valve contact width mm			0.9 – 1.3	–
Valve guide inner diameter mm	SOHC		6.0	–
	GDI		6.6	–
Valve guide projection from cylinder head upper surface mm	SOHC		14.0	–
	GDI		19.5	–
Valve stem projection mm	SOHC		49.30	49.80
	GDI	Intake	49.20	49.70
		Exhaust	48.40	48.90
Oversize rework dimensions of valve guide hole (SOHC) mm	0.05 Oversize diameter		11.05 – 11.07	–
	0.25 Oversize diameter		11.25 – 11.27	–
	0.50 Oversize diameter		11.50 – 11.52	–
Oversize rework dimensions of valve guide hole (GDI) mm	0.05 Oversize diameter		12.05 – 12.07	–
	0.25 Oversize diameter		12.25 – 12.27	–
	0.50 Oversize diameter		12.50 – 12.52	–
Intake oversize rework dimensions of valve seat hole (SOHC) mm	0.3 Oversize diameter		34.30 – 34.33	–
	0.6 Oversize diameter		34.60 – 34.63	–
Intake oversize rework dimensions of valve seat hole (GDI) mm	0.3 Oversize diameter		35.30 – 35.33	–
	0.6 Oversize diameter		35.60 – 35.63	–
Exhaust oversize rework dimensions of valve seat hole (SOHC) mm	0.3 Oversize diameter		34.30 – 34.33	–
	0.6 Oversize diameter		34.60 – 34.63	–
Exhaust oversize rework dimensions of valve seat hole (GDI) mm	0.3 Oversize diameter		33.30 – 33.33	–
	0.6 Oversize diameter		33.60 – 33.63	–

Items		Standard value	Limit
Front case, counterbalance shaft and oil pan			
Oil pump side clearance mm	Drive gear	0.08 – 0.14	–
	Driven gear	0.06 – 0.12	–
Oil pressure at curb idle speed kPa [Oil temperature is 75 to 90°C]		78 or more	–
Piston and connecting rod			
Piston outer diameter mm	4G63	85.0	–
	4G64	86.5	–
Piston ring side clearance mm	No. 1 (Except from 2004 model SPACE WAGON)	0.02 – 0.06	0.1
	No. 1 (From 2004 model SPACE WAGON)	0.03 – 0.07	0.1
	No. 2 (Except from 2004 model SPACE WAGON)	0.02 – 0.06	0.1
	No. 2 (From 2004 model SPACE WAGON)	0.03 – 0.07	0.1
Piston ring end gap mm	No. 1	0.25 – 0.35	0.8
	No. 2	0.40 – 0.55	0.8
	Oil ring side rail	0.10 – 0.40	1.0
Piston pin outer diameter mm		22.0	–
Piston pin press-in load N (Room temperature)		7,350 – 17,200	–
Crankshaft pin oil clearance mm		0.02 – 0.05	0.1
Connecting rod big end side clearance mm		0.10 – 0.25	0.4
Crankshaft, flywheel and drive plate			
Crankshaft end play mm		0.05 – 0.25	0.40
Crankshaft journal outer diameter mm		57.0	–
Crankshaft pin outer diameter mm		45.0	–
Crankshaft journal oil clearance mm		0.02 – 0.04	0.1
Bearing cap bolt shank length mm		–	Maximum 71.1
Piston to cylinder clearance mm		0.02 – 0.04	–
Cylinder block flatness of gasket surface mm		0.05	0.1
Cylinder block grinding limit of gasket surface mm Total resurfacing depth of both cylinder head and cylinder block		–	0.2
Cylinder block overall height mm	4G63	284	–
	4G64	290	–

Items		Standard value	Limit
Cylinder block inner diameter mm	4G63	85.0	–
	4G64	86.5	–
Cylindricity mm		0.01	–

TORQUE SPECIFICATIONS

Items	Nm
Alternator and ignition system	
Water pump pulley	9
Adjusting bolt	5
Lock bolt	23
Alternator brace	23
Alternator pivot nut (Except GDI)	44
Alternator pivot nut (GDI)	49
Crankshaft pulley	25
Ignition coil (Multipoint fuel injection)	10
Spark plug	25
Distributor (Carburetor)	12
Camshaft position sensing cylinder (Multipoint fuel injection)	22
Camshaft position sensor support (Multipoint fuel injection)	14
Camshaft position sensor (Multipoint fuel injection)	10
Oil level gauge guide	13
Ignition failure sensor (For Europe)	5
Cam position sensor (GDI engine)	8.8
Intake manifold (GDI)	
Vacuum pipe and hose (Flange bolt)	11
Vacuum pipe and hose (Bolt, washer assembly)	8.8
Solenoid valve	8.8
Vacuum pipe	11
Throttle body	11
Throttle body fitting	20
Intake manifold stay (M6)	8.8
Intake manifold stay (M8)	30
Air intake plenum resonator (Flange bolt)	11

Items	Nm
Air intake plenum resonator (Bolt, washer assembly)	8.8
EGR valve	23
EGR valve support	23
Intake manifold	19
Timing belt	
Timing belt cover flange bolt	11
Timing belt cover washer bolt	9
Power steering bracket	49
Crankshaft angle sensor (Multipoint fuel injection)	9
Tensioner arm	22
Tensioner puller	48
Auto tensioner	23
Idler pulley	35
Engine support bracket	49
Oil pump sprocket	54
Crankshaft bolt	167
Tensioner "B"	18
Counterbalance shaft sprocket	45
Plug cap	32
V.V.T. sprocket bolt	66
Camshaft sprocket bolt	88
Exhaust manifold (GDI)	
Exhaust manifold cover	13
Exhaust manifold bracket	35
Exhaust manifold (M10)	49
Exhaust manifold (M8)	29
Engine hanger	11
Fuel and emission parts	
Carburetor	17
Fuel vapor separator	23
Vacuum pipe and hose	9
Throttle body	18

Items	Nm
Cover (Carburetor)	12
Cover (Multipoint fuel injection)	22
EGR valve	22
Injectors and delivery pipe	12
Fuel pressure regulator	9
Solenoid valve assembly	9
Fuel part (GDI)	
Fuel low pressure pipe (M6)	8.8
Fuel low pressure pipe (M8)	18
Fuel pump return nipple	8.8
Clamp A	8.8
Fuel pipe bracket (Flange bolt)	11
Fuel pipe bracket (Bolt, washer assembly)	18
Fuel pipe	11
Fuel feed pipe	11
Fuel pump	4.9 → 17 ± 2
Harness bracket	8.8
Fuel return pipe	11
Fuel high pressure regulator	18
Fuel pressure sensor	18
Fuel fitting	12
Pump camshaft case	23
Injector holder	22
Delivery pipe and injector assembly	11
Engine hanger	11
Water pump and intake manifold	
Engine coolant temperature sensor	29
Engine coolant temperature gauge unit	11
Water inlet fitting	13
Thermostat housing	24
Water inlet pipe	13
Water pump	14
Oil level gauge guide	14

Items	Nm
Intake manifold stay	31
Intake manifold	19
Engine hanger	11
Detonation sensor (Multipoint fuel injection)	23
Water pump and water hose (GDI)	
Engine coolant temperature sensor	29
Engine coolant temperature gauge unit	11
Water inlet fitting	12
Water outlet fitting	12
Thermostat housing	23
Water inlet pipe	12
Water pump	13
Knock sensor	22
Exhaust manifold	
Exhaust manifold cover	13
Heat protector	13
Exhaust manifold (M8)	29
Exhaust manifold (M10)	49
Water outlet fitting	13
Rocker arms and camshaft	
Rocker cover	3.4
Rocker arm shaft	31
Rocker arms and camshafts (GDI)	
Eye bolt (M12)	30
Eye bolt (M16)	42
Oil pipe	11
Oil control valve	24
Oil delivery plate	2.5
Oil delivery body	11
Camshaft position sensor	8.8
Cover	9.8
Camshaft position sensing cylinder	21

Items	Nm
Camshaft position sensor support	13
Beam camshaft cap	20
Cylinder head and valves	
Cylinder head bolt [Tighten to 78 Nm and then completely loosen before finally tightening with above procedure.]	20 + 90° + 90°
Front case, counterbalance shaft and oil pan	
Drain plug	39
Oil pan	9
Oil level sensor (For Europe)	8.8
Stiffener (For Europe)	21
Oil screen	18
Oil pressure switch (4G63)	19
Oil pressure switch (4G64)	9.8
Relief plug	44
Oil filter bracket	18
Plug	23
Flange bolt	36
Oil pump cover bolt	16
Oil pump cover screw	9.8
Front case	23
Transmission stay (GDI engine)	21
Oil level gauge guide	12
Oil pan lower	6.9
Baffle plate	6.9
Oil pan upper	6.9
Piston and connecting rod	
Connecting rod cap	20 + 90° → 100°
Crankshaft, flywheel and drive plate	
Flywheel bolt	132
Drive plate bolt	132
Rear plate	11
Bell housing cover	8.8
Oil seal case bolt	11

Items	Nm
Bearing cap bolt	25 + 90° → 100°

NEW TIGHTENING METHOD – BY USE OF BOLTS TO BE TIGHTENED IN PLASTIC AREA

A new type of bolts, to be tightened in plastic area, is currently used some parts of the engine. The tightening method for the bolts is different from the conventional one. Be sure to observe the method described in the text when tightening the bolts.

Service limits are provided for the bolts. Make sure that the service limits described in the text are strictly observed.

- Areas where the bolts are in use:
 - (1) Cylinder head bolts
 - (2) Main bearing cap bolts
 - (3) Connecting rod cap bolts
- Tightening method
 After tightening the bolts to the specified torque, tighten them another 90° or 180° (twice 90°). The tightening method varies on different areas. Observe the tightening method described in the text.

SEALANTS

Item	Specified sealant	Quantity
Cam position sensor support	Mitsubishi Genuine Part No. MD970389 or equivalent	As required
Engine coolant temperature sensor	3M Nut Locking Part No. 4171 or equivalent	As required
Engine coolant temperature gauge unit	3M ATD Part No. 8660 or equivalent	As required
Thermostat case	Mitsubishi Genuine Part No. MD970389 or equivalent	As required
Water outlet fitting	Mitsubishi Genuine Part No. MD970389 or equivalent	As required
Beam camshaft cap	Mitsubishi Genuine Part No. MD970389 or equivalent	As required
Cylinder head	Mitsubishi Genuine Part No. MD970389 or equivalent	As required
Oil pressure switch	3M ATD Part No. 8660 or equivalent	As required
Oil pan	Mitsubishi Genuine Part No. MD970389 or equivalent	As required
Oil seal case	Mitsubishi Genuine Part No. MD970389 or equivalent	As required

FORM-IN-PLACE GASKET

The engine has several areas where the form-in-place gasket (FIPG) is in use. To ensure that the gasket fully serves its purpose, it is necessary to observe some precautions when applying the gasket. Bead size, continuity and location are of paramount importance. Too thin a bead could cause leaks. Too thick a bead, on the other hand, could be squeezed out of location, causing blocking or narrowing of the fluid feed line. To eliminate the possibility of leaks from a joint, therefore, it is absolutely necessary to apply the gasket evenly without a break, while observing the correct bead size.

The FIPG used in the engine is a room temperature vulcanisation (RTV) type and is supplied in a 100-gram tube (Part No. MD970389). Since the RTV hardens as it reacts with the moisture in the atmospheric air, it is normally used in the metallic flange areas. The FIPG, Part No. MD970389, can be used for sealing both engine oil and coolant, while Part No. MD997110 can only be used for engine oil sealing.

Disassembly

The parts assembled with the FIPG can be easily disassembled without use of a special method. In some cases, however, the sealant between the joined surfaces may have to be broken by lightly striking with a mallet or similar tool. A flat and thin gasket scraper may be lightly hammered in between the joined surfaces. In this case, however, care must be taken to prevent damage to the joined surfaces. For removal of the oil pan, the special tool "Oil Pan Remover" (MD998727) is available. Be sure to use the special tool to remove the oil pan. <Except aluminium die-cast oil pans>

Surface Preparation

Thoroughly remove all substances deposited on the gasket application surfaces, using a gasket scraper or wire brush. Check to ensure that the surfaces to which the FIPG is to be applied is flat. Make sure that there are no oils, greases and foreign substances deposited on the application surfaces. Do not forget to remove the old sealant remained in the bolt holes.

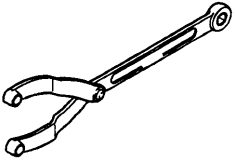
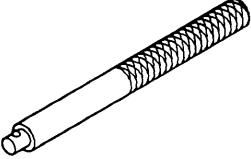
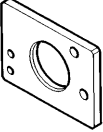
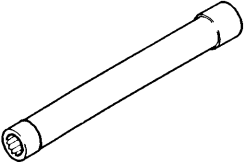

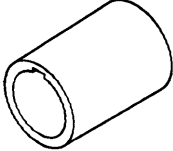
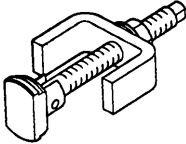
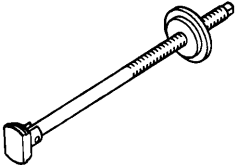
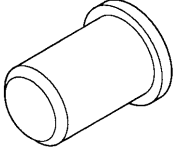
Form-in-Place Gasket Application

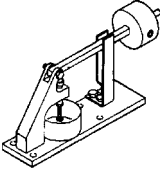

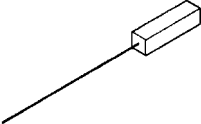
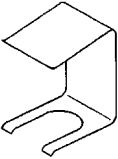
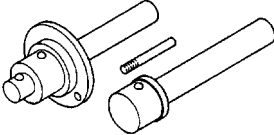
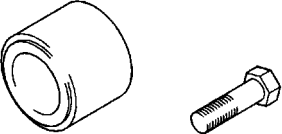
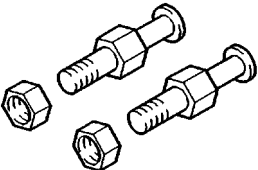
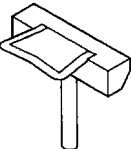
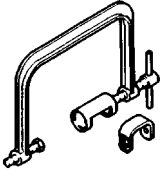
When assembling parts with the FIPG, you must observe some precautions, but the procedure is very simple as in the case of a conventional pre-cut gasket.

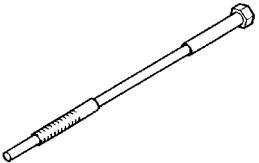
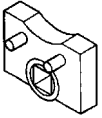
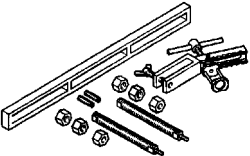
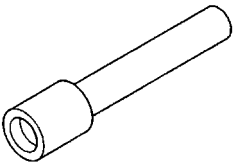
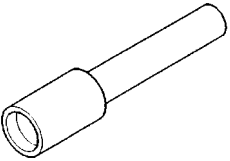
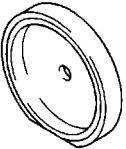
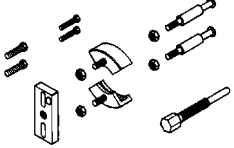
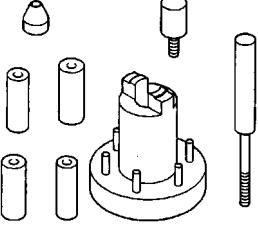
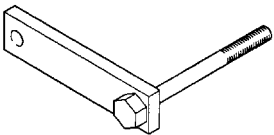
Applied FIPG bead should be of the specified size and without breaks. Also be sure to encircle the bolt hole circumference with a completely continuous bead. The FIPG can be wiped away unless it is hardened. While the FIPG is still moist (in less than 15 minutes), mount the parts in position. When the parts are mounted, make sure that the gasket is applied to the required area only. In addition, do not apply any oil or water to the sealing locations or start the engine until a sufficient amount of time (about one hour) has passed after installation is completed.

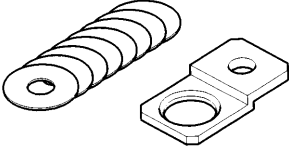
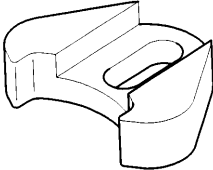
The FIPG application procedure may vary on different areas. Observe the procedure described in the text when applying the FIPG.

2. SPECIAL TOOLS

Tool	Number	Name	Use
	MB990767	Crankshaft pulley holder	Holding camshaft sprocket Use with MD998719.
	MB990938	Handle	Installation of crankshaft rear oil seal Use with MD998776.
	MB991603	Silent shaft bearing puller stopper	Guide stopper for removal and installation of counterbalance shaft rear bearing Use with MD998372.
	MB991654	Cylinder head bolt wrench (12)	Removal and installation of cylinder head bolt
	MD998162	Plug wrench	Removal and installation of front case cap plug Use with MD998783.
	MD998285	Crankshaft front oil seal guide	Guide for installation of crankshaft front oil seal Use with MD998375.
	MD998371	Silent shaft bearing puller	Removal of counterbalance shaft front bearing
	MD998372	Silent shaft bearing puller	Removal of counterbalance shaft rear bearing
	MD998375	Crankshaft front oil seal installer	Installation of crankshaft front oil seal

Tool	Number	Name	Use
	MD998440	Leak down tester	Leak down test of lash adjuster
	MD998441	Lash adjuster retainer	Air bleeding of lash adjuster
	MD998442	Lash adjuster wire	Air bleeding of lash adjuster
	MD998443	Lash adjuster holder	Retainer for holding lash adjuster in rocker arm at time of removal and installation of rocker shaft assembly
	MD998705	Silent shaft bearing installer	Installation of counterbalance shaft front and rear bearing
	MD998713	Camshaft oil seal installer	Installation of camshaft oil seal
	MD998719	Pulley holder pin	Holding camshaft sprocket Use with MB990767.
	MD998727	Oil pan remover	Removal of oil pan
	MD998735	Valve spring compressor	Removal and installation of valve and related parts

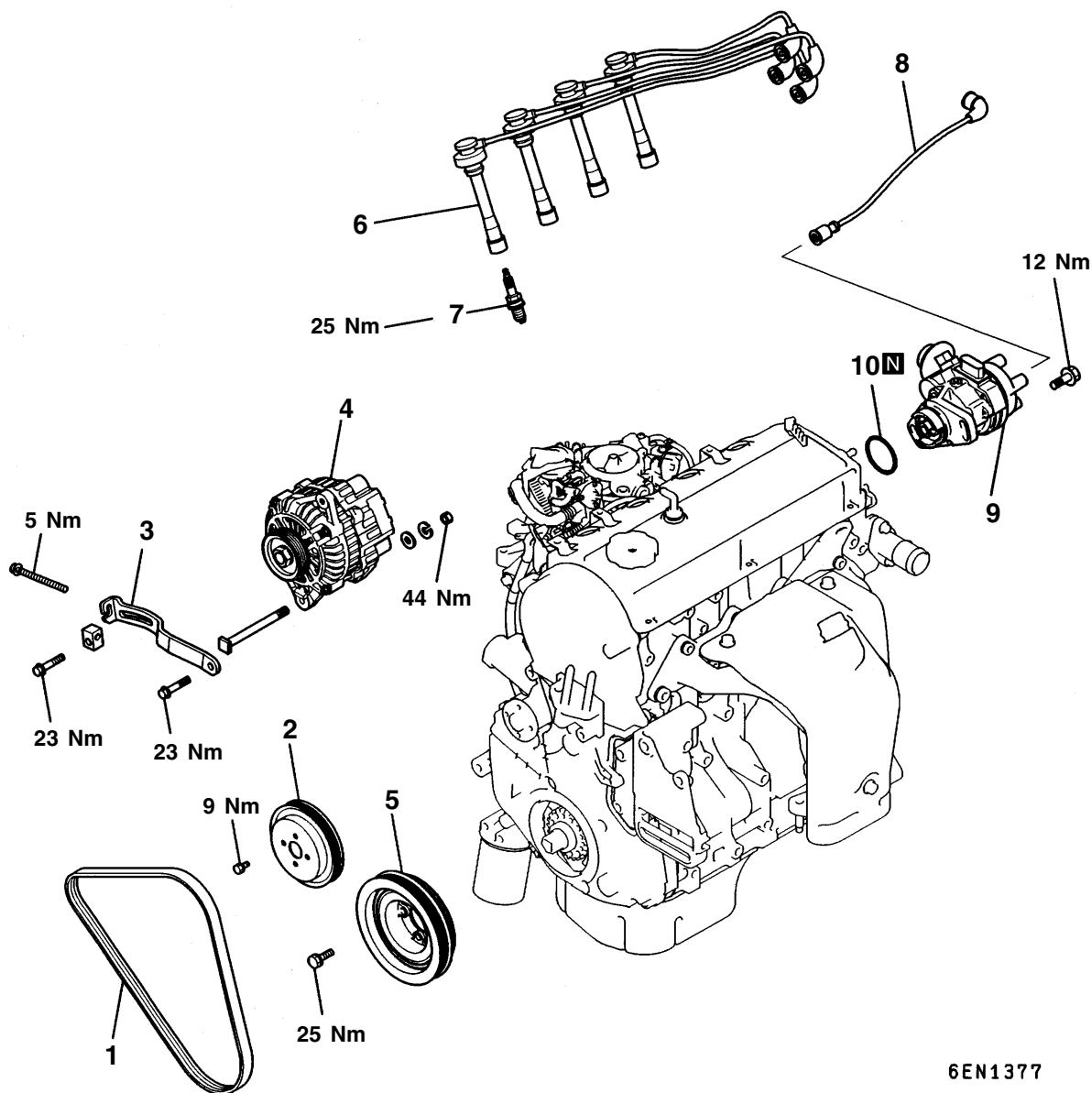
Tool	Number	Name	Use
	MD998738	Set screw	Adjustment of timing belt tension
	MD998767	Tensioner puller socket wrench	Adjustment of timing belt tension
	MD998772	Valve spring compressor	Removal and installation of valve and related parts
	MD998774	Valve stem seal installer	Installation of valve stem seal
	MD998775	Valve stem seal installer	Installation of valve stem seal
	MD998776	Crankshaft rear oil seal installer	Installation of crankshaft rear oil seal Use with MB990938.
	MD998778	Crankshaft sprocket puller	Removal of crankshaft sprocket
	MD998780	Piston setting tool	Removal and installation of piston pin
	MD998781	Flywheel stopper	Holding of flywheel and drive plate

Tool	Number	Name	Use
	MD998783	Plug wrench retainer	Removal and installation of front case cap plug
	MD998785	Sprocket stopper	Holding silent shaft sprocket

3. ALTERNATOR AND IGNITION SYSTEM

REMOVAL AND INSTALLATION

<CARBURETOR, FROM 2004 MODEL SPACE WAGON with 4G64 engine>



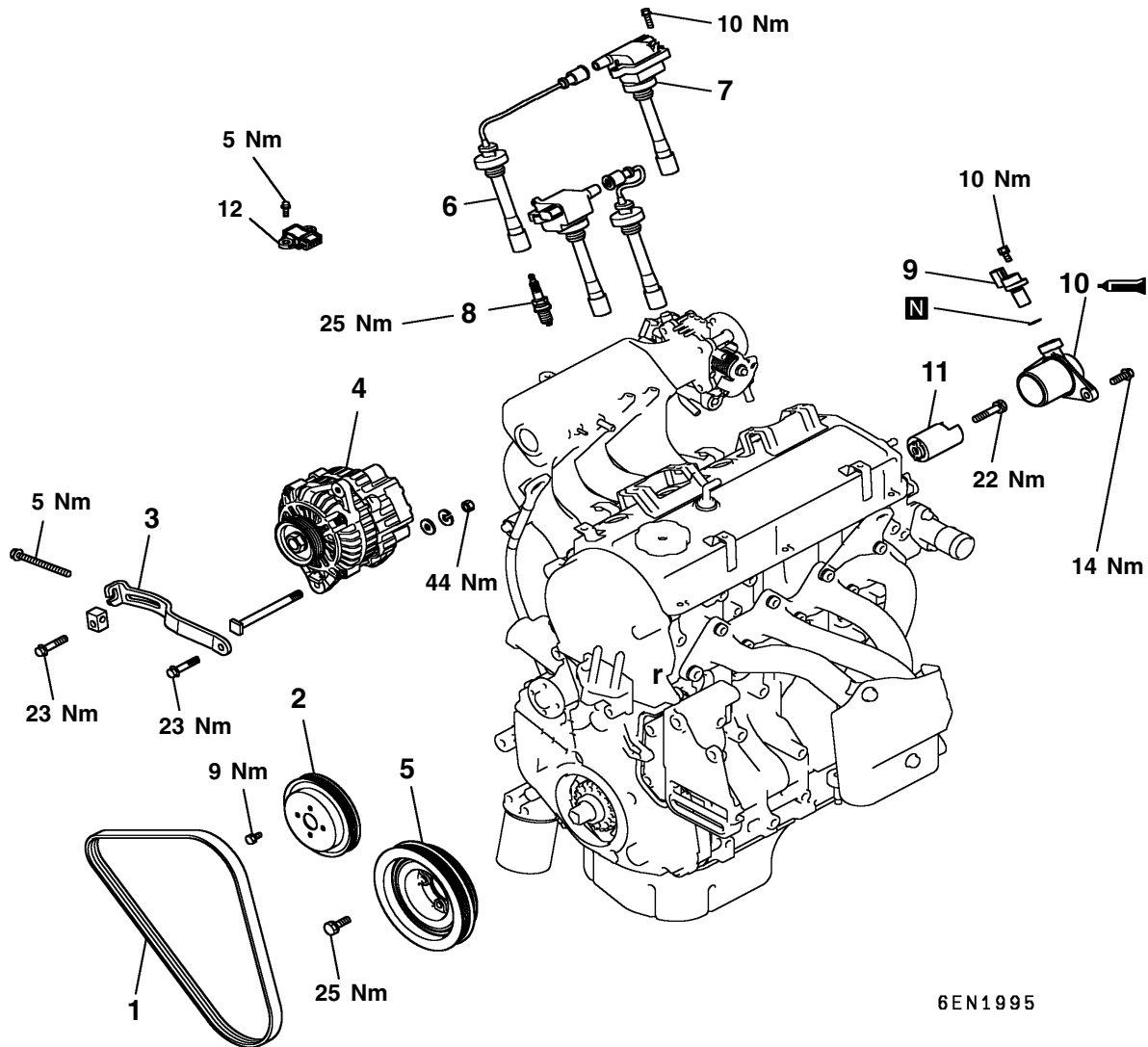
6EN1377

Removal steps

1. Drive belt
2. Water pump pulley
3. Alternator brace
4. Alternator
5. Crankshaft pulley
6. Spark plug cable
7. Spark plug
8. High tension cable
9. Distributor assembly
10. O-ring



REMOVAL AND INSTALLATION <MULTIPOINT FUEL INJECTION>



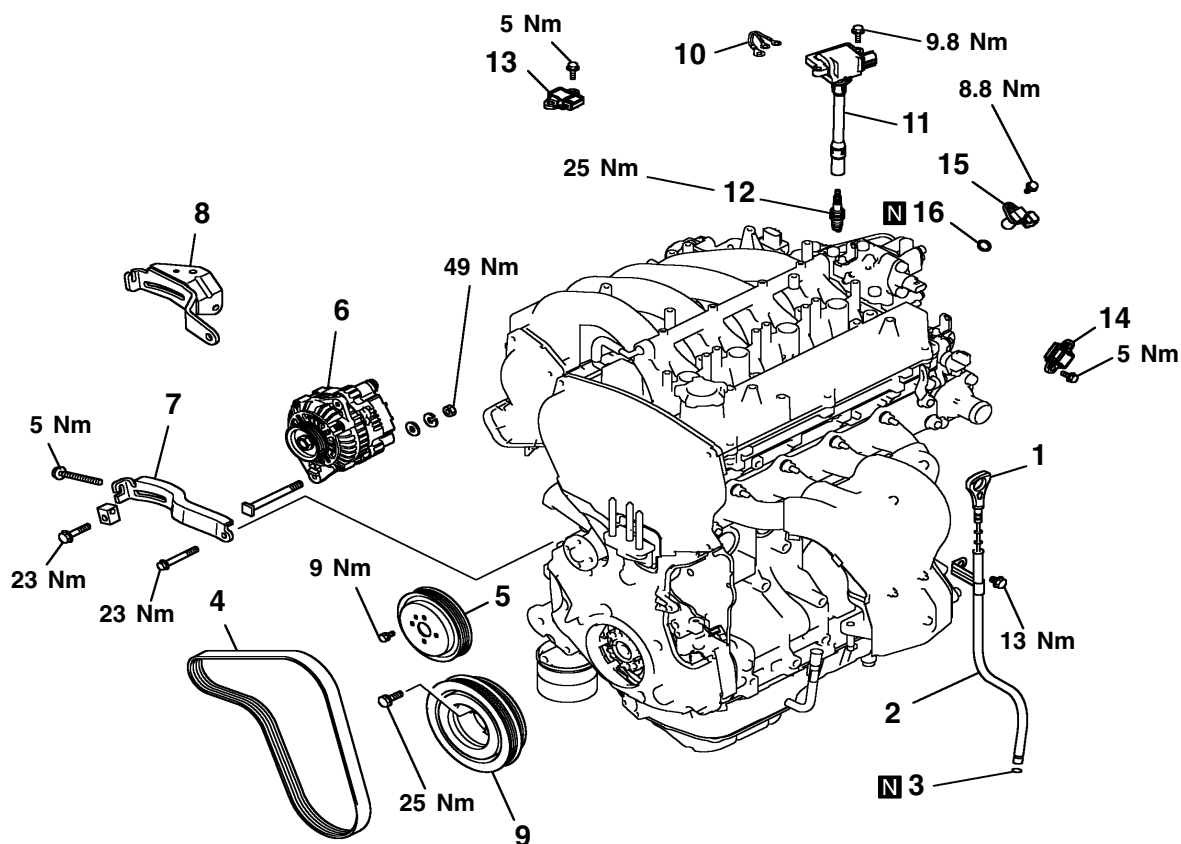
6EN1995

Removal steps

1. Drive belt
2. Water pump pulley
3. Alternator brace
4. Alternator
5. Crankshaft pulley
6. Spark plug cable
7. Ignition coil assembly

8. Spark plug
9. Camshaft position sensor
- ▶A◀ 10. Camshaft position sensing support
11. Camshaft position sensing cylinder
12. Ignition failure sensor (Vehicle for Europe)

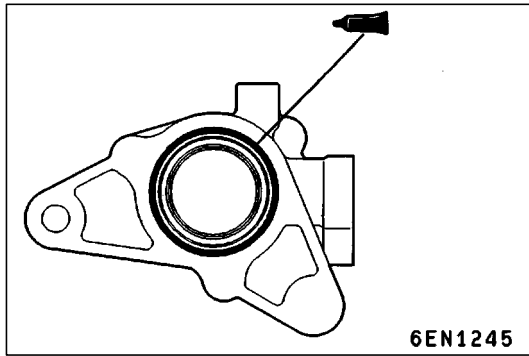
REMOVAL AND INSTALLATION (GDI)



6EN1996

Removal steps

1. Oil level gauge
2. Oil level gauge guide
3. O-ring
4. Drive belt
5. Water pump pulley
6. Alternator
7. Alternator brace (Up to 2000 model SPACE RUNNER and Up to 2000 model SPACE WAGON)
8. Alternator brace (GALANT for Europe and From 2001 model SPACE RUNNER and From 2001 model SPACE WAGON)
9. Crankshaft pulley
10. Earth strap (From 2001 model SPACE RUNNER and From 2001 model SPACE WAGON)
11. Ignition coil
12. Spark plug
13. Ignition failure sensor (From 2001 model GALANT for Europe)
14. Ignition failure sensor (From 2001 model SPACE RUNNER for Europe and From 2001 model SPACE WAGON for Europe)
15. Cam position sensor
16. O-ring



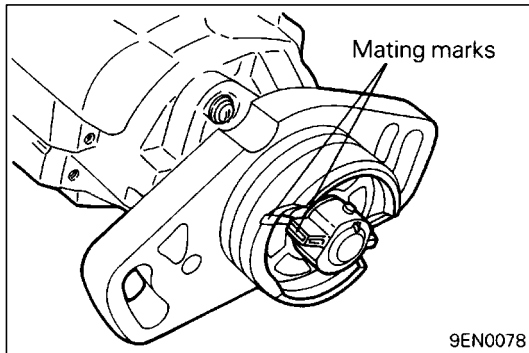
INSTALLATION SERVICE POINTS

▶A◀ CAMSHAFT POSITION SENSOR SUPPORT INSTALLATION

- (1) Apply a 3 mm bead of form-in-place gasket (FIPG) to the area shown.

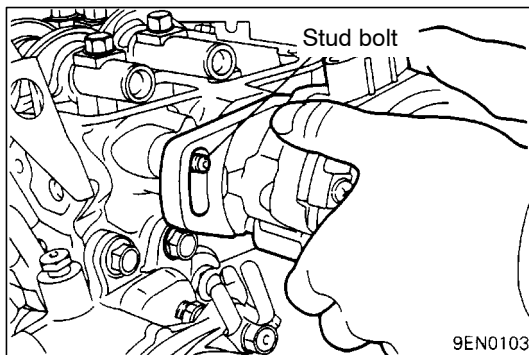
Specified sealant:

Mitsubishi Genuine Part No. MD970389 or equivalent



▶B◀ DISTRIBUTOR ASSEMBLY INSTALLATION

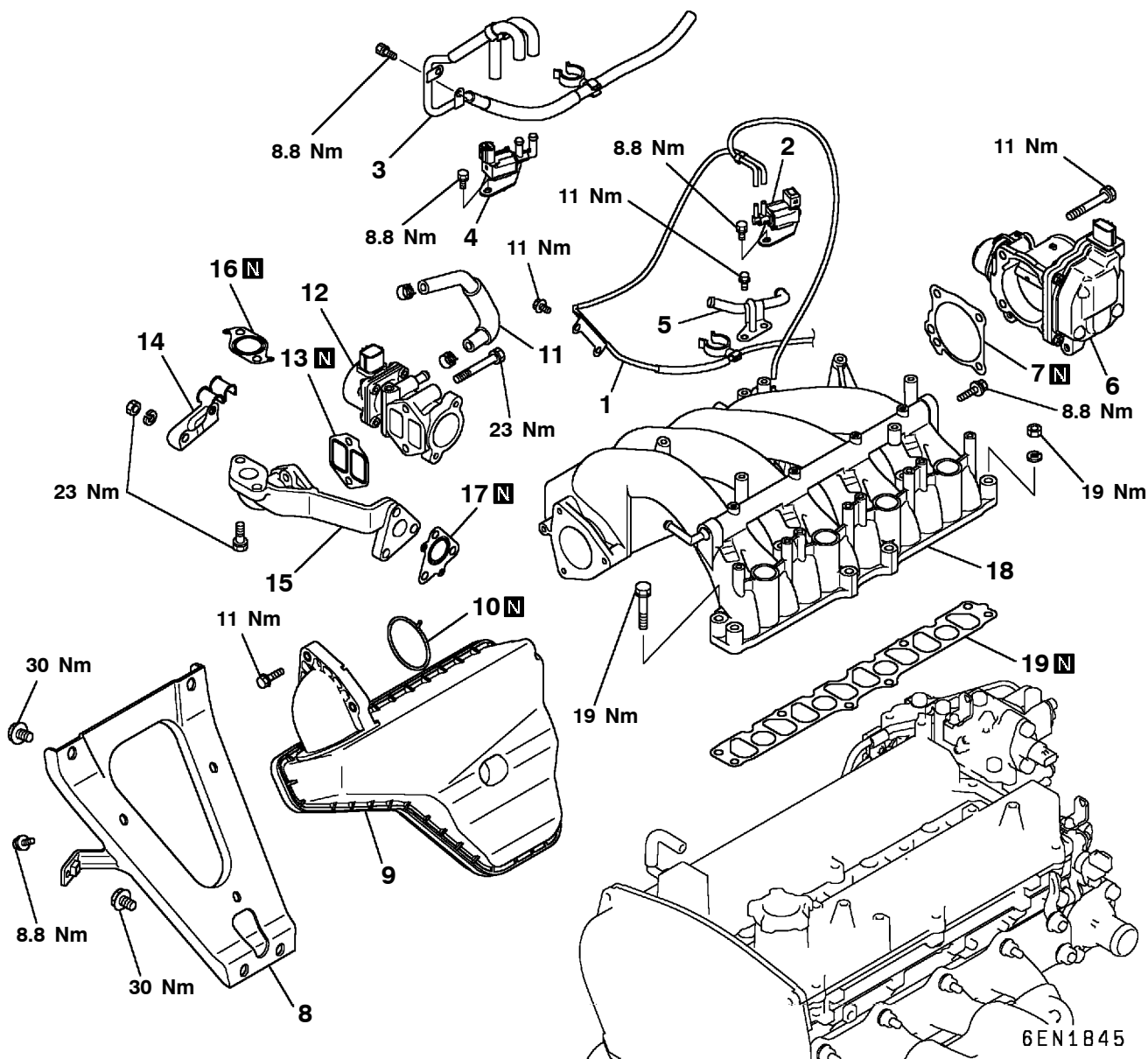
- (1) Turn the crankshaft to bring No. 1 cylinder to the top dead center on compression stroke.
- (2) Align the mating marks on the distributor housing with that of the coupling key.



- (3) Install the distributor assembly on the engine while aligning the stud bolt used for securing the distributor with the slot in the mounting flange of the distributor.

3a. INTAKE MANIFOLD (GDI)

REMOVAL AND INSTALLATION (UP TO 2000 MODEL SPACE RUNNER and UP TO 2000 MODEL SPACE WAGON)

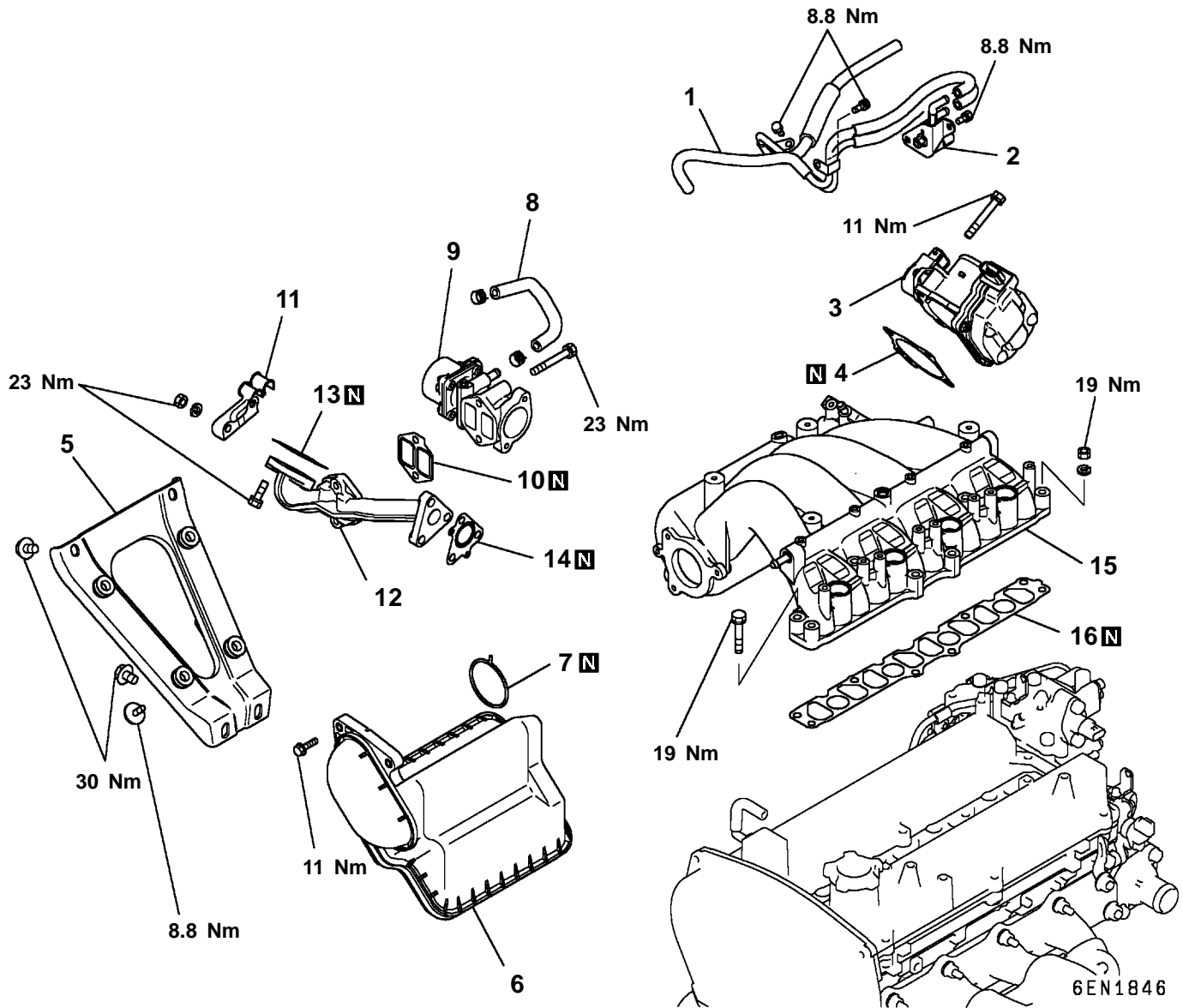


Removal steps

1. Vacuum pipe and hose
(1999 model vehicles for Hong Kong)
2. Solenoid valve (1999 model vehicles for Hong Kong)
3. Vacuum pipe and hose
(Vehicles for Europe and 2000 model vehicles for Hong Kong)
4. Solenoid valve
(Vehicles for Europe and 2000 model vehicles for Hong Kong)
5. Vacuum pipe
6. Throttle body

- | | |
|-----|--------------------------------|
| ▶D◀ | 7. Throttle body gasket |
| ▶C◀ | 8. Intake manifold stay |
| ▶B◀ | 9. Air intake plenum resonator |
| | 10. Gasket |
| | 11. Water hose |
| | 12. EGR valve |
| | 13. Gasket |
| ▶A◀ | 14. Hose clamp |
| ▶A◀ | 15. EGR support |
| ▶A◀ | 16. Gasket |
| | 17. Gasket |
| | 18. Intake manifold |
| | 19. Gasket |

REMOVAL AND INSTALLATION (GALANT)



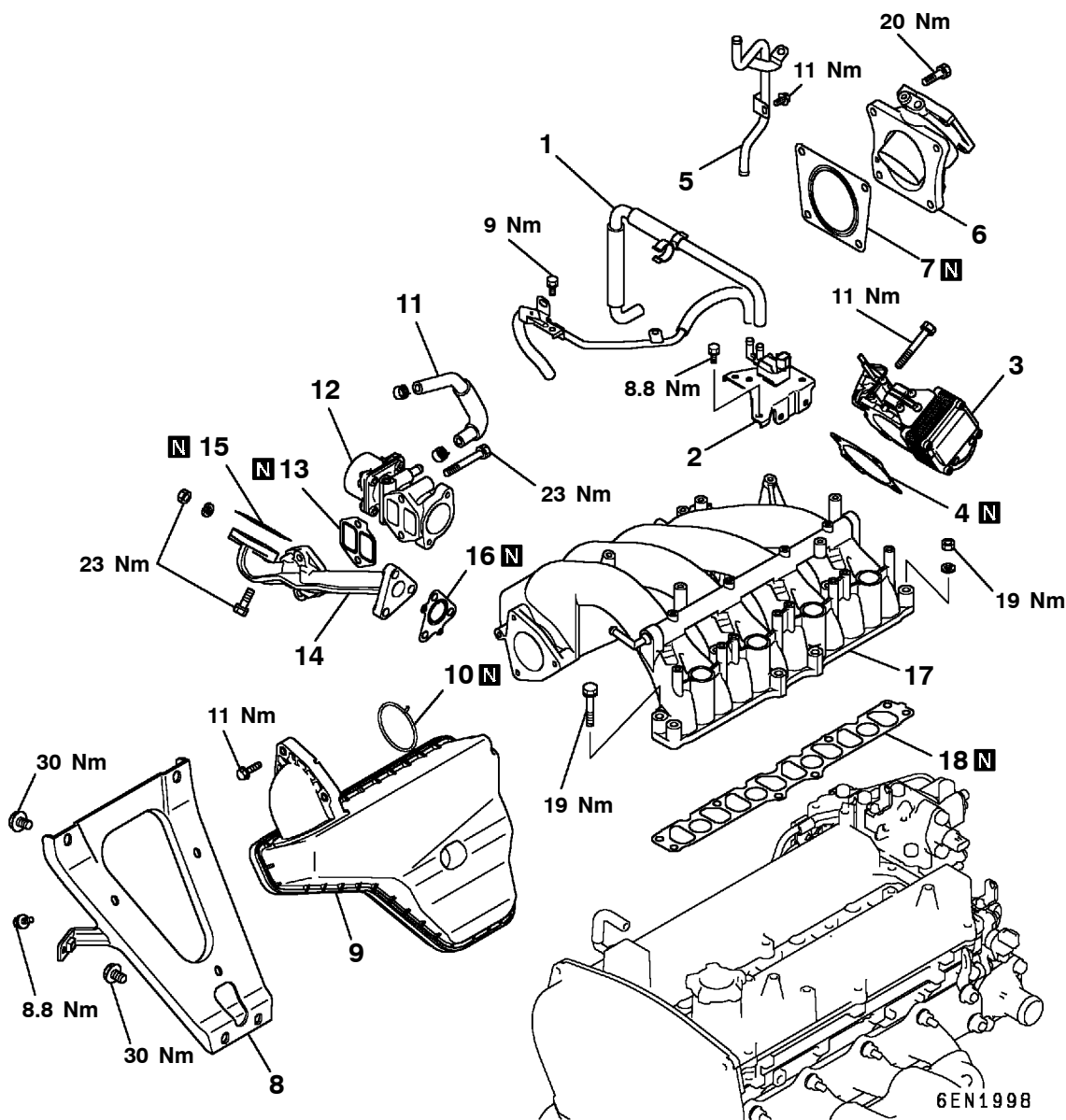
Removal steps

1. Vacuum pipe and hose
2. Solenoid valve
3. Throttle body
4. Throttle body gasket
5. Intake manifold stay
6. Air intake plenum resonator
7. Gasket
8. Water hose



9. EGR valve
10. Gasket
11. Hose clamp
12. EGR support
13. Gasket
14. Gasket
15. Intake manifold
16. Gasket

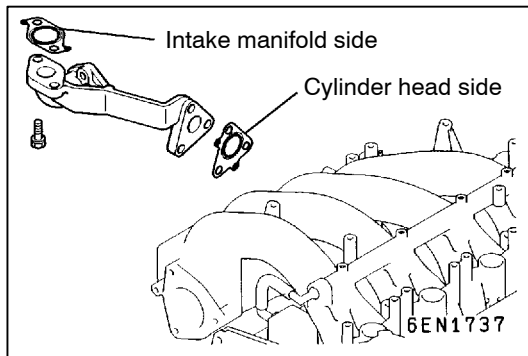
REMOVAL AND INSTALLATION (FROM 2001 MODEL SPACE RUNNER and FROM 2001 MODEL SPACE WAGON)



Removal steps

1. Vacuum pipe and hose
2. Solenoid valve
3. Throttle body
- ▶D◀ 4. Throttle body gasket
5. Vacuum pipe
6. Throttle body fitting
7. Throttle body fitting gasket
- ▶C◀ 8. Intake manifold stay
9. Air intake plenum resonator

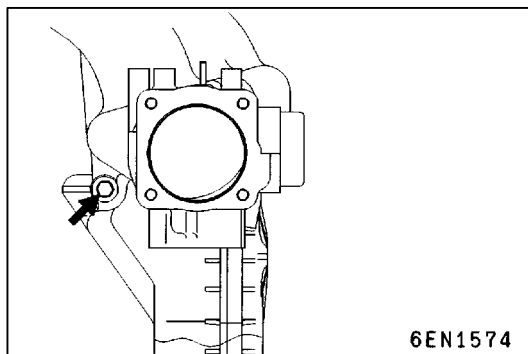
10. Gasket
11. Water hose
12. EGR valve
13. Gasket
- ▶A◀ 14. EGR support
- ▶A◀ 15. Gasket
16. Gasket
17. Intake manifold
18. Gasket



INSTALLATION SERVICE POINTS

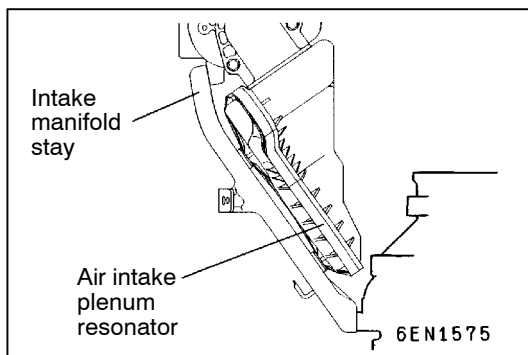
▶A◀ EGR SUPPORT / GASKET INSTALLATION

- (1) Install the gasket and EGR support to the cylinder head in that order and tighten the fasteners temporarily.
- (2) Install the EGR support assembly to the intake manifold with the gasket attached on the mating surface, and tighten the fasteners to the specified torque.
- (3) Tighten the fasteners on the cylinder head side to the specified torque.



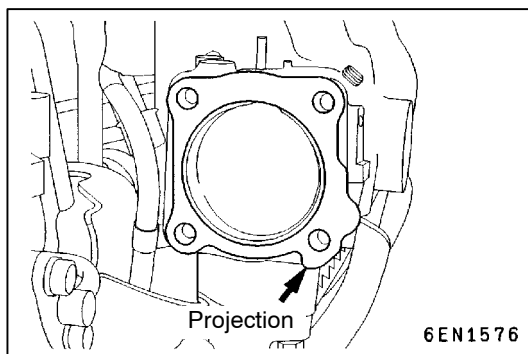
▶B◀ AIR INTAKE PLENUM RESONATOR INSTALLATION

- (1) Install the mounting bolts on the throttle body side without fail.



▶C◀ INTAKE MANIFOLD STAY INSTALLATION

- (1) Tighten the fasteners to the specified torque after confirming that the intake manifold stay is in close contact with the air intake plenum resonator and the cylinder block.

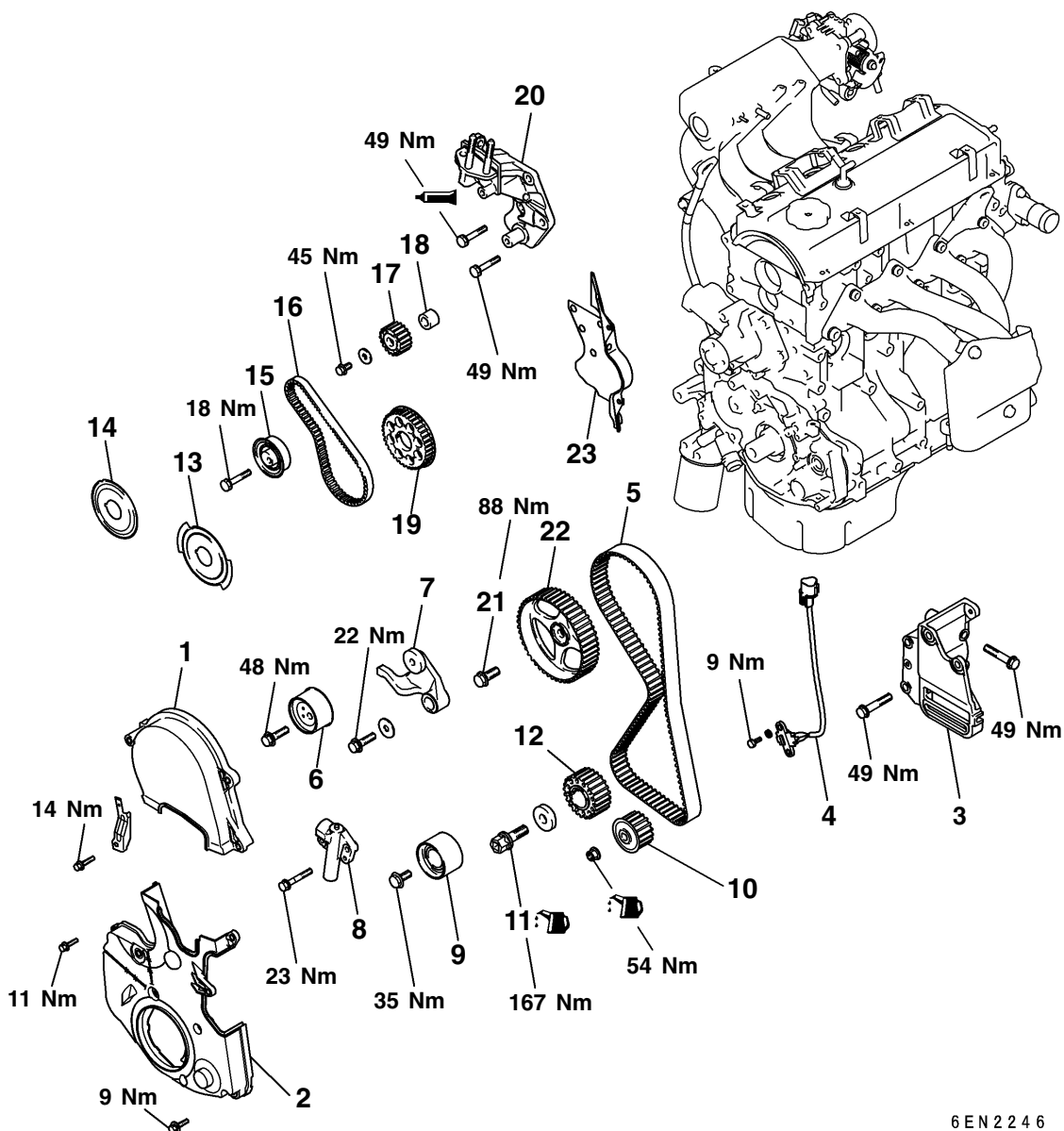


▶D◀ THROTTLE BODY GASKET INSTALLATION

- (1) Position the projection as shown in the illustration.

4. TIMING BELT

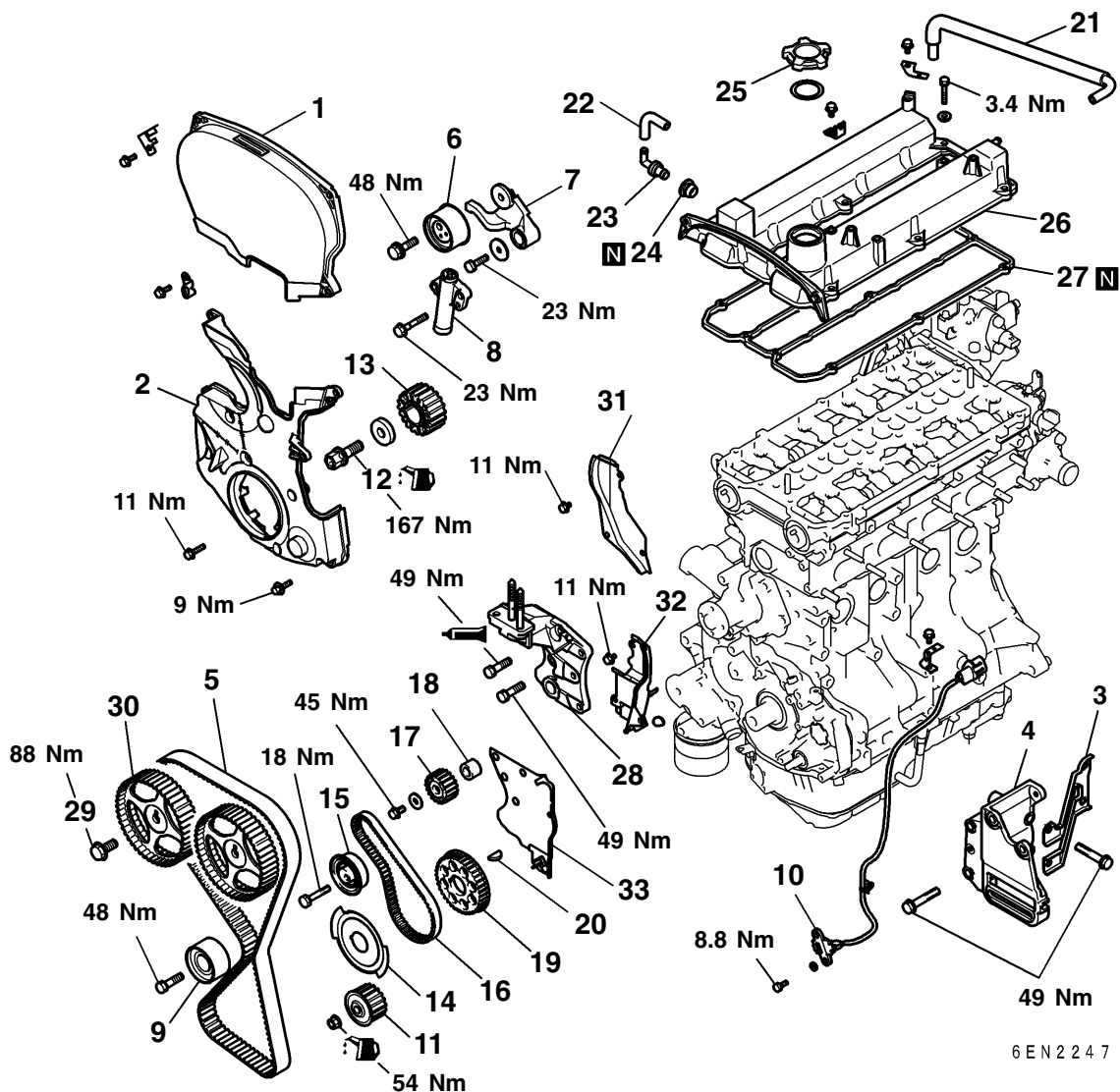
REMOVAL AND INSTALLATION (SOHC)



Removal steps

- | | | | | | |
|-----|--------------------------------------------------------------|-----------------------|-----|-----|----------------------------------------|
| | 1. Timing belt front upper cover | | | | |
| | 2. Timing belt front lower cover | | | | |
| | 3. Power steering bracket | | | | |
| | 4. Crankshaft position sensor
(Multipoint fuel injection) | | | | |
| ◀A▶ | ▶K▶ | 5. Timing belt | ◀E▶ | ▶G▶ | 12. Crankshaft sprocket |
| | ▶J▶ | 6. Tensioner pulley | ▶G▶ | ▶G▶ | 13. Flange (Multipoint fuel injection) |
| | | 7. Tensioner arm | | | 14. Flange (Carburetor) |
| | ▶I▶ | 8. Auto tensioner | ◀F▶ | ▶F▶ | 15. Tensioner "B" |
| | | 9. Idler pulley | ◀G▶ | ▶E▶ | 16. Timing belt "B" |
| | | | | ▶D▶ | 17. Counterbalance shaft sprocket |
| ◀C▶ | ▶H▶ | 10. Oil pump sprocket | ◀H▶ | ▶O▶ | 18. Spacer |
| ◀D▶ | ▶G▶ | 11. Crankshaft bolt | ▶C▶ | ▶A▶ | 19. Crankshaft sprocket "B" |
| | | | | | 20. Engine support bracket |
| | | | | | 21. Camshaft sprocket bolt |
| | | | | | 22. Camshaft sprocket |
| | | | | | 23. Timing belt rear cover |

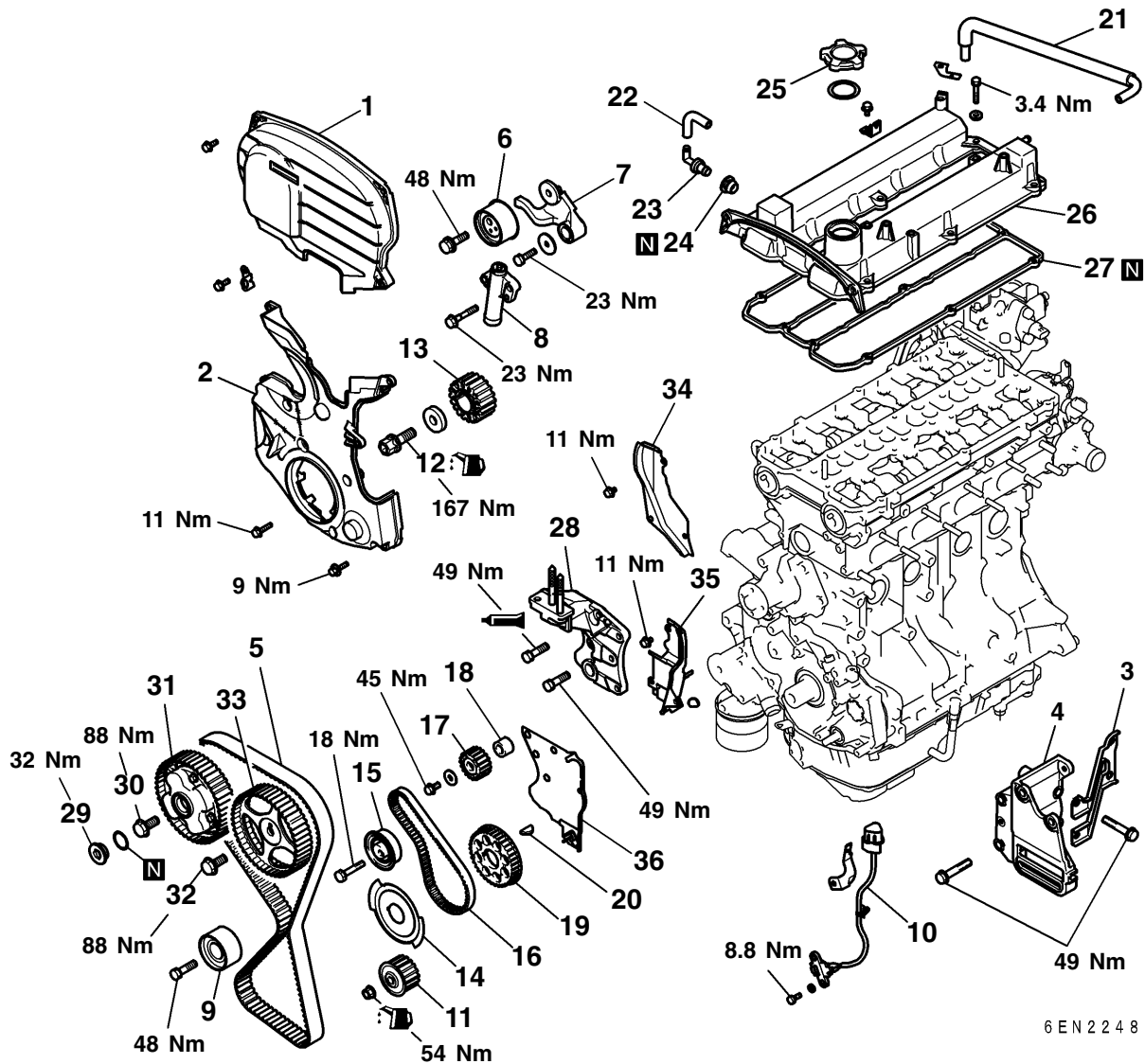
REMOVAL AND INSTALLATION (GDI for UP TO 2000 MODEL SPACE RUNNER, UP TO 2000 MODEL SPACE WAGON and GALANT)



Removal steps

- | | | | | | |
|-----|---------------------------------------|-----|--|--|--|
| | 1. Front upper cover | | | | |
| | 2. Front lower cover | | | | |
| | 3. Power steering pump bracket stay | | | | |
| | 4. Power steering bracket | | | | |
| ◀B▶ | 5. Timing belt | ▶L▶ | | | |
| | 6. Tensioner pulley | ▶J▶ | | | |
| | 7. Tensioner arm | | | | |
| | 8. Auto tensioner | ▶I▶ | | | |
| | 9. Idle pulley | | | | |
| | 10. Crankshaft angle sensor | | | | |
| ▶C▶ | 11. Oil pump sprocket | ▶H▶ | | | |
| ▶D▶ | 12. Crankshaft bolt | ▶G▶ | | | |
| ▶E▶ | 13. Crankshaft sprocket | ▶G▶ | | | |
| | 14. Flange | ▶G▶ | | | |
| | 15. Tensioner "B" | | | | |
| ▶F▶ | 16. Timing belt "B" | ▶F▶ | | | |
| ▶G▶ | 17. Counterbalance shaft sprocket | ▶E▶ | | | |
| | 18. Spacer | | | | |
| ▶H▶ | 19. Crankshaft sprocket "B" | ▶D▶ | | | |
| | 20. Crankshaft key | ▶O▶ | | | |
| | 21. Breather hose | | | | |
| | 22. PCV hose | | | | |
| | 23. PCV valve | | | | |
| | 24. PCV valve gasket | | | | |
| | 25. Oil filler cap | | | | |
| | 26. Rocker cover | | | | |
| | 27. Rocker cover gasket | | | | |
| | 28. Engine support bracket | ▶C▶ | | | |
| ▶J▶ | 29. Camshaft sprocket bolt | ▶B▶ | | | |
| | 30. Camshaft sprocket | | | | |
| | 31. Timing belt rear right cover | | | | |
| | 32. Timing belt rear left upper cover | | | | |
| | 33. Timing belt rear left lower cover | | | | |

REMOVAL AND INSTALLATION (GDI for FROM 2001 MODEL SPACE RUNNER and FROM 2001 MODEL SPACE WAGON)

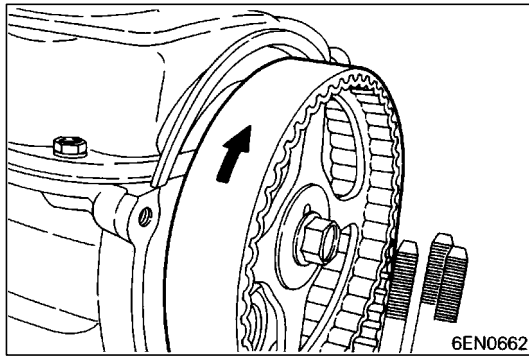


6 EN 2 2 4 8

Removal steps

- | | | | |
|---------|-------------------------------------|---------|---------------------------------------|
| | 1. Front upper cover | | 19. Crankshaft sprocket "B" |
| | 2. Front lower cover | | 20. Crankshaft key |
| | 3. Power steering pump bracket stay | | 21. Breather hose |
| | 4. Power steering bracket | | 22. PCV hose |
| ◀B▶ ▶L▶ | 5. Timing belt | | 23. PCV valve |
| ▶J▶ | 6. Tensioner pulley | | 24. PCV valve gasket |
| | 7. Tensioner arm | | 25. Oil filler cap |
| ▶I▶ | 8. Auto tensioner | | 26. Rocker cover |
| | 9. Idle pulley | | 27. Rocker cover gasket |
| | 10. Crankshaft position sensor | | 28. Engine support bracket |
| ◀C▶ ▶H▶ | 11. Oil pump sprocket | | 29. Plug cap |
| ◀D▶ ▶G▶ | 12. Crankshaft bolt | ◀K▶ ▶N▶ | 30. V.V.T. sprocket bolt |
| ◀E▶ ▶G▶ | 13. Crankshaft sprocket | ◀L▶ ▶M▶ | 31. V.V.T. sprocket |
| | 14. Flange | ▶M▶ ▶B▶ | 32. Camshaft sprocket bolt |
| | 15. Tensioner "B" | | 33. Camshaft sprocket |
| ◀F▶ ▶F▶ | 16. Timing belt "B" | | 34. Timing belt rear right cover |
| ◀G▶ ▶E▶ | 17. Counterbalance shaft sprocket | | 35. Timing belt rear left upper cover |
| | 18. Spacer | | 36. Timing belt rear left lower cover |

Intentionally blank



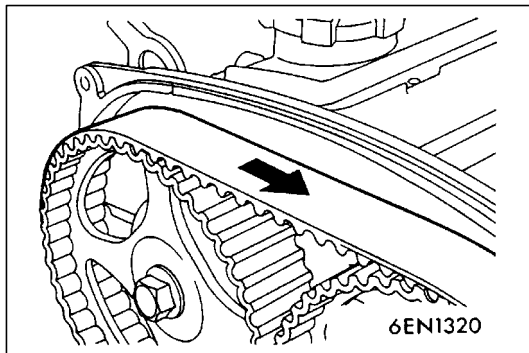
REMOVAL SERVICE POINTS

◀A▶ TIMING BELT REMOVAL

- (1) Mark belt running direction for reinstallation.

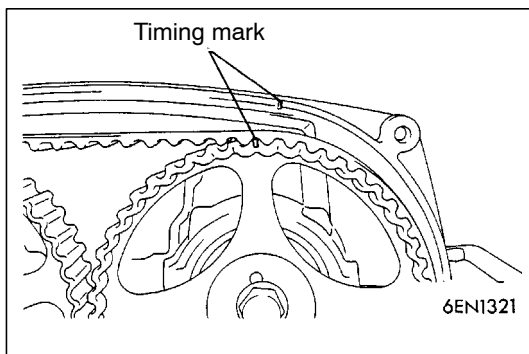
NOTE

- (1) Water or oil on the belt shorten its life drastically, so the removed timing belt, sprocket, and tensioner must be free from oil and water. These parts should not be washed. Replace parts if seriously contaminated.
- (2) If there is oil or water on each part, check front case oil seals, camshaft oil seal and water pump for leaks.



◀B▶ TIMING BELT REMOVAL

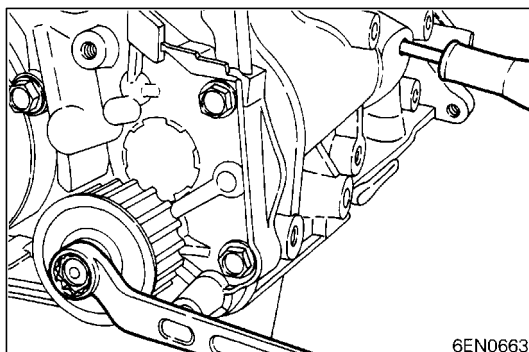
- (1) If the timing belt is to be reused, chalk an arrow mark on the back surface of the belt so that the belt can be reinstalled in the same direction.
- (2) Place the exhaust camshaft sprocket in a position where the timing mark for No. 1 cylinder is positioned about one tooth before the top dead center of the compression stroke.



Caution

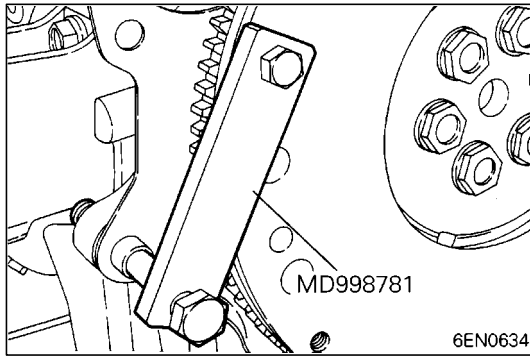
- The camshaft sprocket on the exhaust side can turn very easily because of the valve spring tension. Use care not to allow your fingers to get caught by the sprocket.

- (3) Loosen the lock nut of the tensioner pulley, then remove the timing belt.



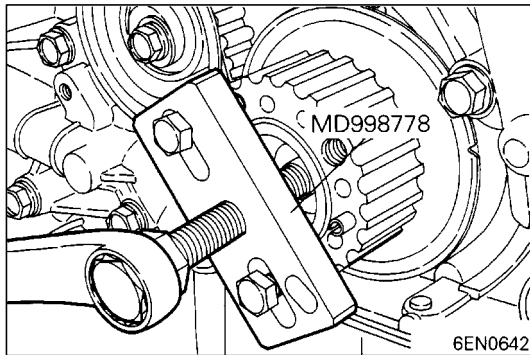
◀C▶ OIL PUMP SPROCKET REMOVAL

- (1) Remove the plug on the left side of cylinder block.
- (2) Insert a screwdriver (shank diameter 8 mm) to block the counterbalance shaft.
- (3) Remove the nut.
- (4) Remove the oil pump sprocket.



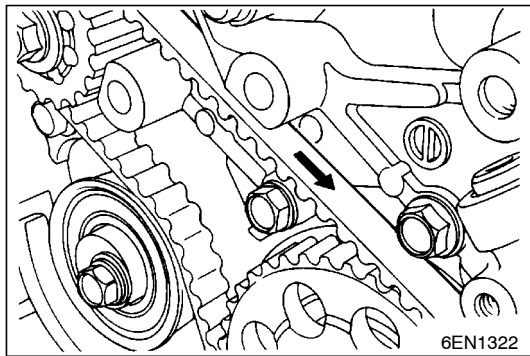
◀D▶ CRANKSHAFT BOLT LOOSENING

- (1) Hold the drive plate with the special tool as shown.
- (2) Remove the crankshaft bolt.



◀E▶ CRANKSHAFT SPROCKET REMOVAL

- (1) If it is difficult to remove the sprocket, use the special tool.

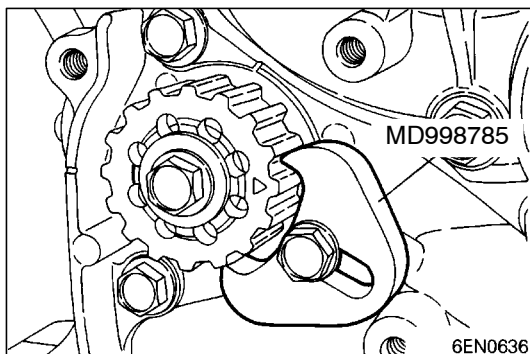


◀F▶ TIMING BELT "B" REMOVAL

- (1) Make a mark on the back of the timing belt indicating the direction of rotation so it may be reassembled in the same direction if it is to be reused.

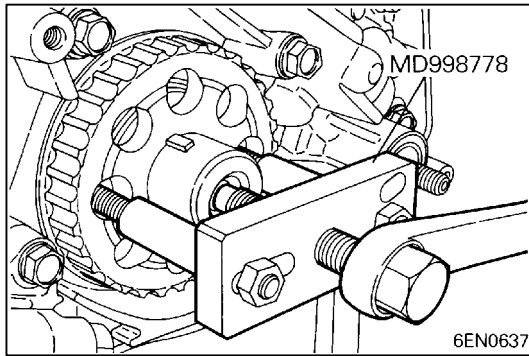
NOTE

- (1) Water or oil on the belt shortens its life drastically, so the removed timing belt, sprocket, and tensioner must be free from oil and water. These parts should not be washed. Replace parts if seriously contaminated.
- (2) If there is oil or water on each part check front case oil seals, camshaft oil seal and water pump for leaks.

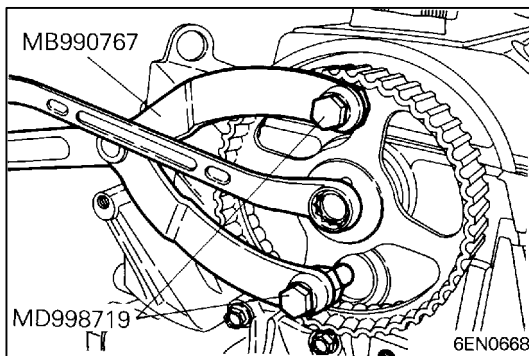


◀G▶ COUNTERBALANCE SHAFT SPROCKET REMOVAL

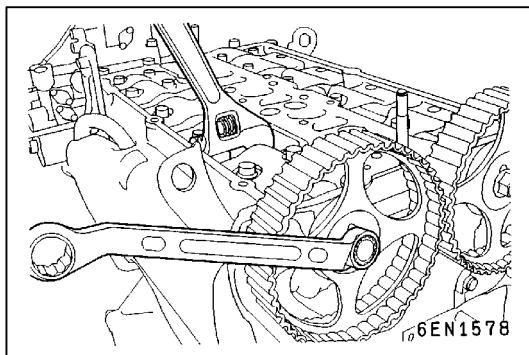
- (1) Set the special tool as shown to prevent the counterbalance shaft sprocket from turning together.
- (2) Loosen the bolt and remove the sprocket.

**◀H▶ CRANKSHAFT SPROCKET "B" REMOVAL**

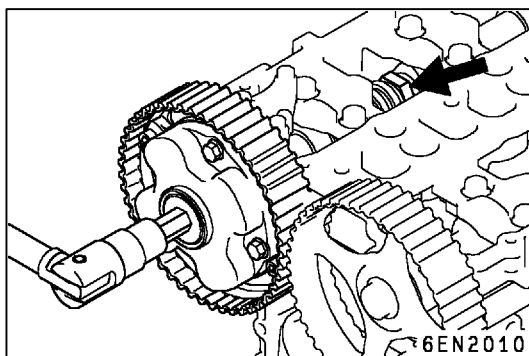
- (1) If it is difficult to remove the sprocket, use the special tool.

**◀I▶ CAMSHAFT SPROCKET BOLT LOOSENING**

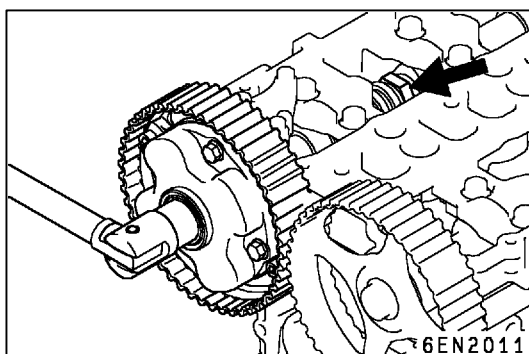
- (1) Using the special tools shown in the illustration, lock the camshaft sprocket in position.
- (2) Loosen the camshaft bolt.

**◀J▶ CAMSHAFT SPROCKET BOLT LOOSENING**

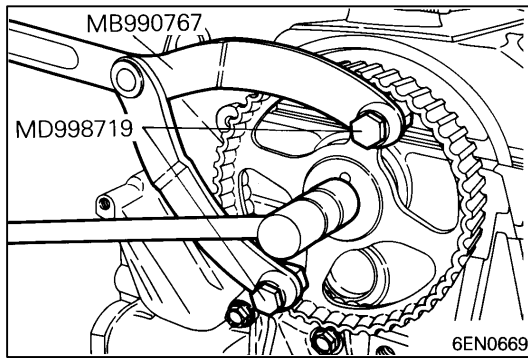
- (1) Use a wrench to hold the hexagonal part of the camshaft, and then remove the camshaft sprocket mounting bolt.

**◀K▶ PLUG CAP REMOVAL**

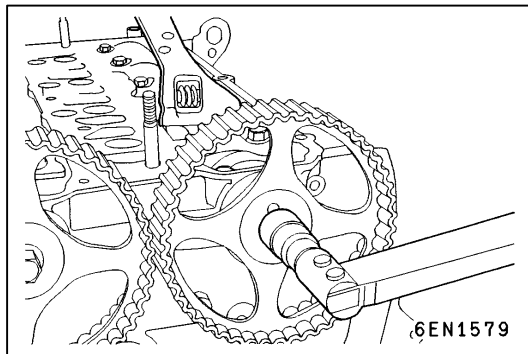
- (1) Use a wrench to hold the hexagonal part of the camshaft, and then remove the plug cap.

**◀L▶ V.V.T. SPROCKET BOLT LOOSENING**

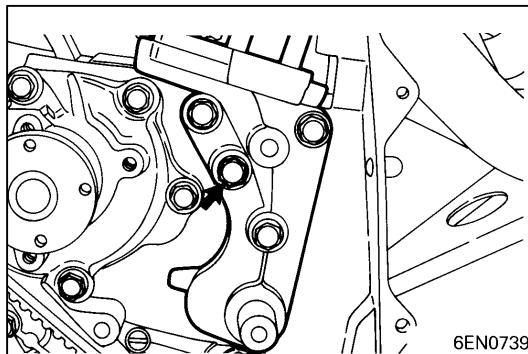
- (1) Use a wrench to hold the hexagonal part of the camshaft, and then remove the V.V.T. sprocket mounting bolt.

**INSTALLATION SERVICE POINTS****▶A◀ CAMSHAFT SPROCKET BOLT TIGHTENING**

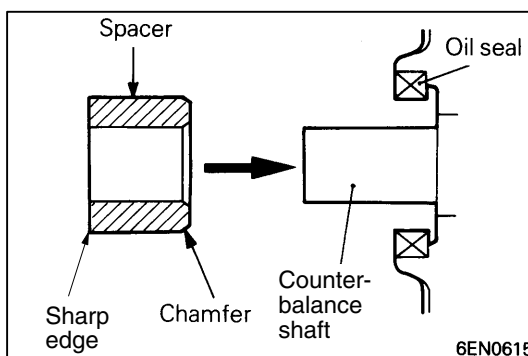
- (1) Using the special tools shown in the illustration, lock the camshaft sprocket in position.
- (2) Tighten the camshaft sprocket bolt to the specified torque.

**▶B◀ CAMSHAFT SPROCKET BOLT TIGHTENING**

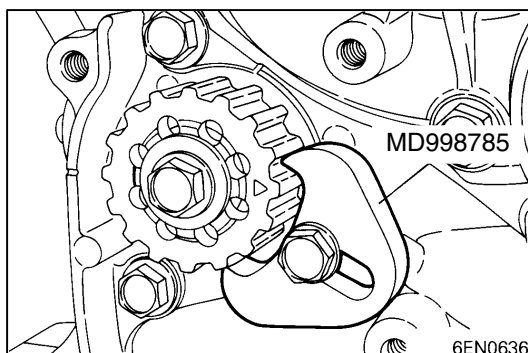
- (1) Using a wrench, hold the camshaft at its hexagon and tighten the bolt to the specification.

**▶C◀ ENGINE SUPPORT BRACKET INSTALLATION**

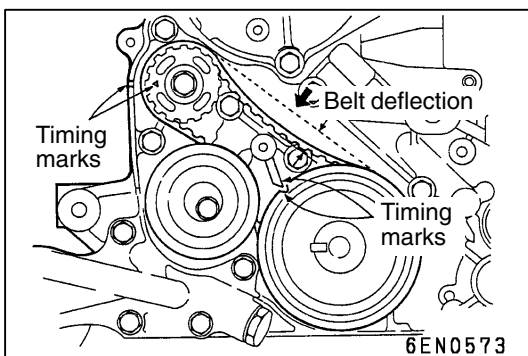
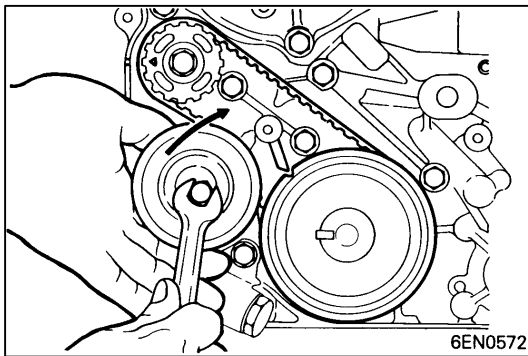
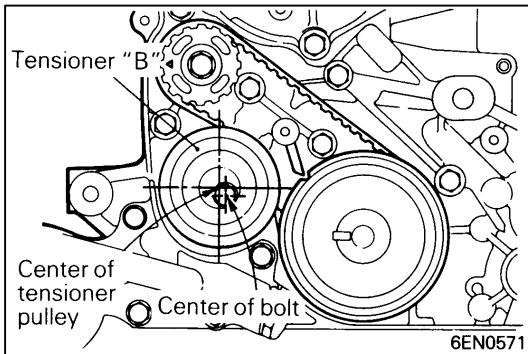
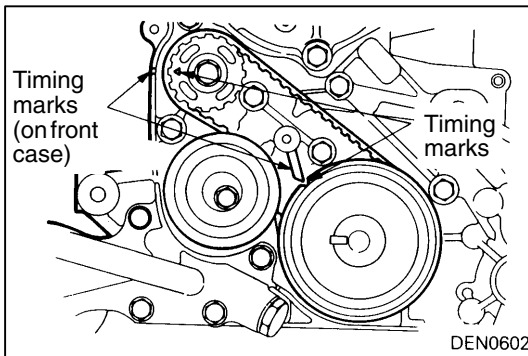
- (1) Coat the bolts illustrated with sealant before tightening.
Specified sealant: 3M ATD Part No. 8660 or equivalent

**▶D◀ SPACER INSTALLATION**

- (1) Install the spacer with the chamfered end toward the oil seal.

**▶E◀ COUNTERBALANCE SHAFT SPROCKET INSTALLATION**

- (1) Install the counterbalance shaft sprocket and screw the bolt.
- (2) Install special tool MD998785 as shown in the illustration to lock the counterbalance shaft.
- (3) Tighten the bolt, and then remove the special tool.



►F◄ TIMING BELT "B" INSTALLATION

- (1) Align timing marks on the crankshaft sprocket "B" and counterbalance shaft sprocket with the marks on the front case respectively.
- (2) Install the timing belt "B" on the crankshaft sprocket "B" and counterbalance shaft sprocket. There should be no slack on the tension side.

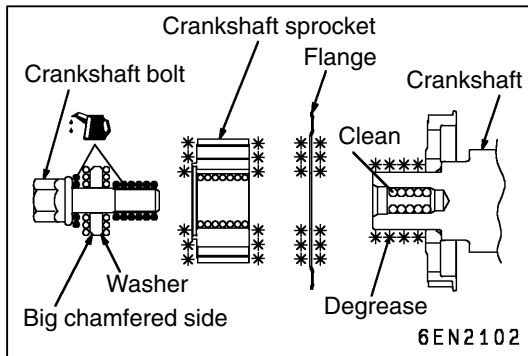
- (3) Make sure that the relationship between the tensioner pulley center and the bolt center is as shown in the illustration.

- (4) Move the tensioner B in the direction of arrow while lifting with a finger to give a sufficient tension to the tension side of timing belt. In this condition, tighten bolt to secure tensioner B.

Caution

When bolt is tightened, use care to prevent shaft of timing belt B from turning together. If shaft is turned together, belt will be overtightened.

- (5) Check to ensure that the timing marks on the sprockets and the front case are in alignment.
- (6) Press with index finger the center of span on the tension side of timing belt "B". The bolt must deflect 5 – 7 mm (0.20 – 0.28 in.).



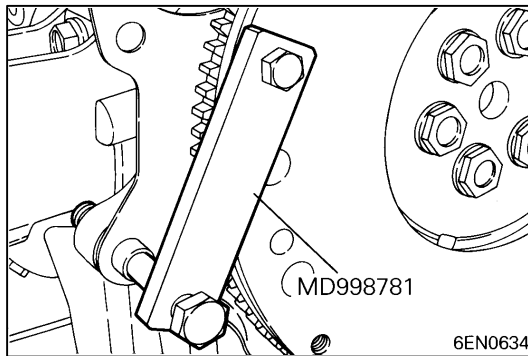
►G◄ FLANGE / CRANKSHAFT SPROCKET / CRANKSHAFT BOLT INSTALLATION

- (1) Clean and then degrease the contacting surfaces of the crankshaft sprocket, flange and crankshaft.

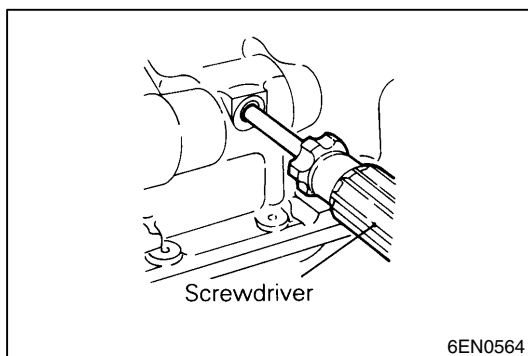
NOTE

Degreasing is necessary to prevent decrease in the friction between contacting surfaces.

- (2) Clean the bolt hole in the crankshaft, the crankshaft contacting surface of the crankshaft sprocket, and the washer.
- (3) Install the flange and the crankshaft sprocket to the crankshaft.
- (4) Apply an appropriately small amount of oil to the threads and seating surface of the crankshaft bolt.
- (5) Install the washer to the crankshaft bolt with its largely chamfered side toward the bolt head.

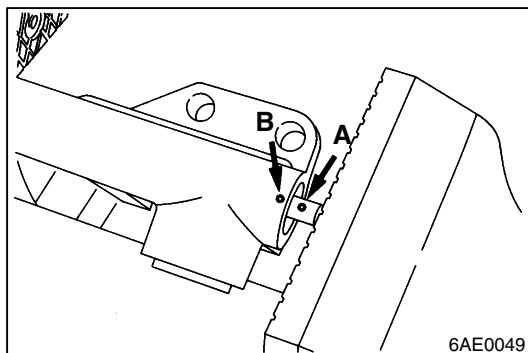


- (6) Lock the flywheel or drive plate using the special tool.
- (7) Tighten the crankshaft bolt to the specified torque of 167 Nm.



►H◄ OIL PUMP SPROCKET INSTALLATION

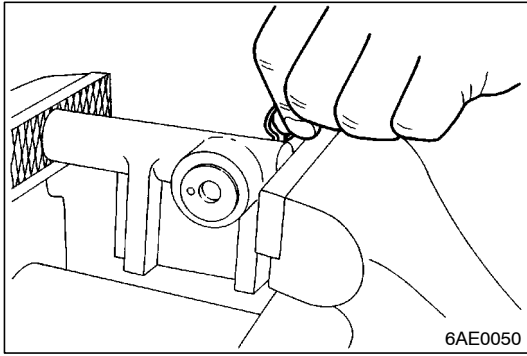
- (1) Insert a Phillips screwdriver (shank diameter 8 mm shaft) through the plug hole on the left side of the cylinder block to block the left counterbalance shaft.
- (2) Install the oil pump sprocket.
- (3) Apply a proper amount of engine oil to the bearing surfaces of the nuts.
- (4) Tighten the nuts to the specified torque.



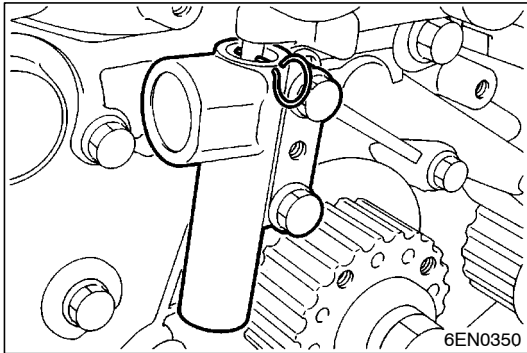
►I◄ AUTO TENSIONER INSTALLATION

- (1) If the auto tensioner rod is in its fully extended position, reset it as follows.
- (2) Clamp the auto-tensioner in the vise with soft jaws.
- (3) Push in the rod little by little with the vise until the set hole A in the rod is aligned with the hole B in the cylinder.

Intentionally blank



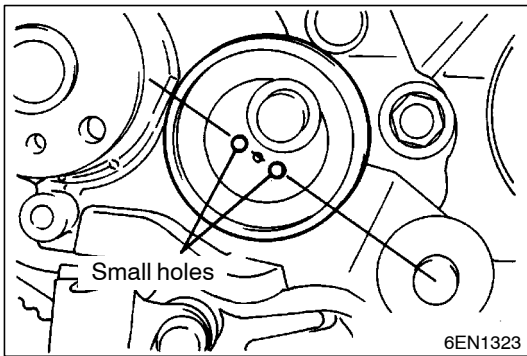
- (4) Insert a wire (1.4 mm in diameter) into the set holes.
- (5) Unclamp the auto tensioner from the vise.



- (6) Install the auto tensioner to front case and tighten to the specified torque.

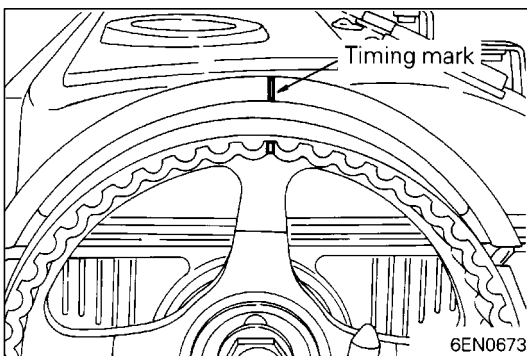
Caution

- Leave the wire installed in the auto tensioner.



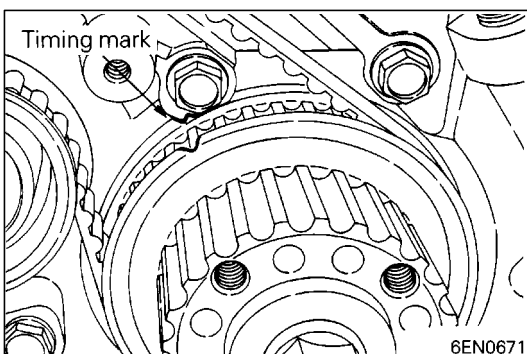
►J◄ TENSIONER PULLEY INSTALLATION

- (1) Install the tensioner pulley in such direction that its two small holes are arranged vertically.

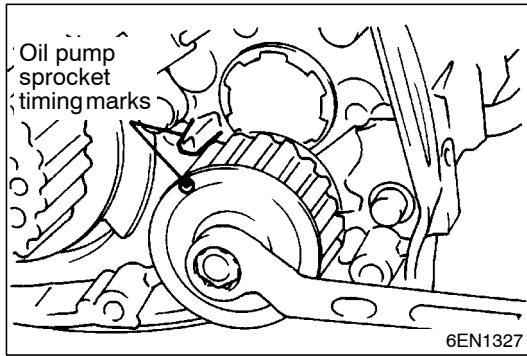


►K◄ TIMING BELT INSTALLATION

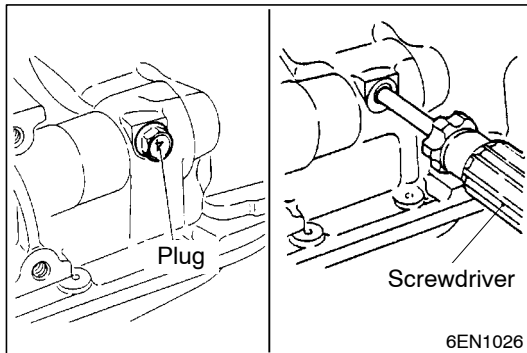
- (1) Check that the timing belt tensioner and spring have been installed in position. (See ►J◄)
- (2) Align timing mark on camshaft sprocket with timing mark on cylinder head.



- (3) Align timing mark on crankshaft sprocket with timing mark on front case.

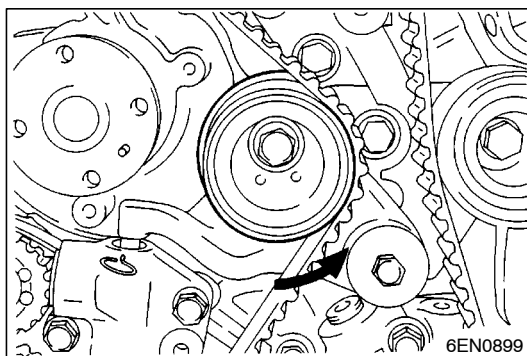


- (4) Align the timing mark on oil pump sprocket with its mating mark.

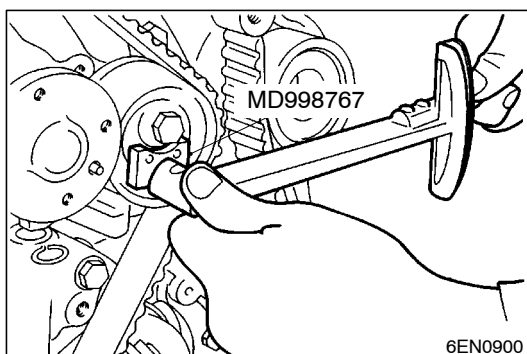


- (5) Remove the plug on cylinder block and insert a Phillips screwdriver (shank diameter 8 mm) through the hole (Engine with counterbalance shafts).
If it can be inserted as deep as 60 mm or more, the timing marks are correctly aligned. If the inserted depth is only 20 - 25 mm, turn the oil pump sprocket one turn and realign timing marks. Then check to ensure that the screwdriver can be inserted 60 mm or more. Keep the screwdriver inserted until installation of timing belt is finished.

- (6) Install the timing belt on the crankshaft sprocket, idler pulley, camshaft sprocket, and tensioner pulley in that order.



- (7) Lift up the tensioner pulley in the direction of arrow and tighten the center bolt.
(8) Check that all timing marks are lined up.
(9) Remove the screwdriver inserted in step (5) and fit the plug.
(10) Give the crankshaft a quarter counterclockwise turn. Then, turn it clockwise until the timing marks are lined up again.

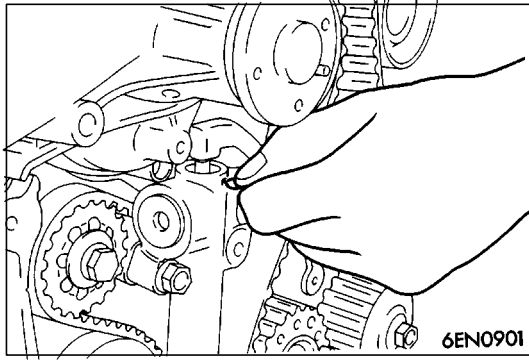


- (11) Install the special tools, Socket Wrench and Torque Wrench, on the tensioner pulley, and loosen the tensioner pulley center bolt.

NOTE

If the special tool is not available, use a commercially available torque wrench that is capable of measuring 0 - 5 Nm.

- (12) Torque to 3.5 Nm with the torque wrench.
(13) Holding the tensioner pulley with the special tool and torque wrench, tighten the center bolt to specification.

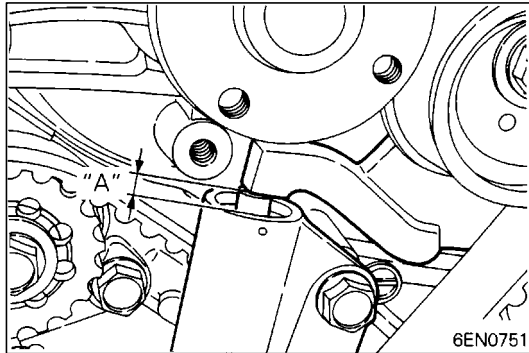


- (14) After giving two clockwise turns to the crankshaft, let it alone for approx. 15 minutes. Then, make sure that the auto tensioner setting wire moves freely.

NOTE

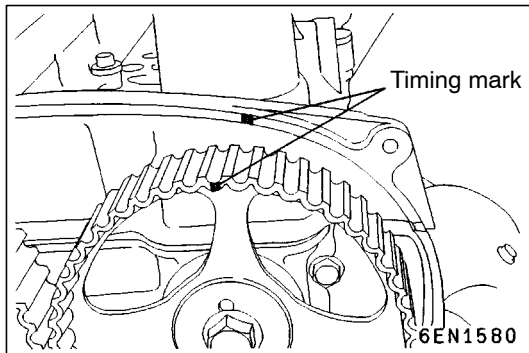
If the wire does not move freely, repeat step (10) above until it moves freely.

- (15) Remove the auto tensioner setting wire.



- (16) Measure the distance "A" (between the tensioner arm and auto tensioner body).

Standard value: 3.8 - 4.5 mm

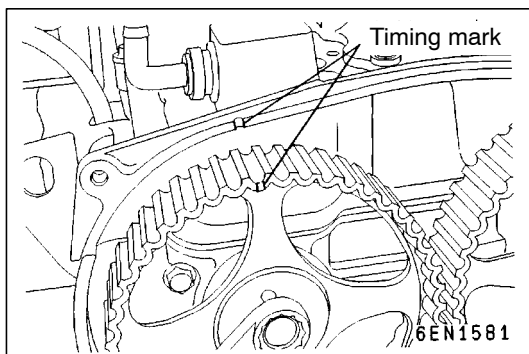


►L◄ **TIMING BELT INSTALLATION**

- (1) Place the exhaust side camshaft sprocket in a position where its timing mark is one tooth offset from the timing mark on the rocker cover in the counterclockwise direction.

NOTE

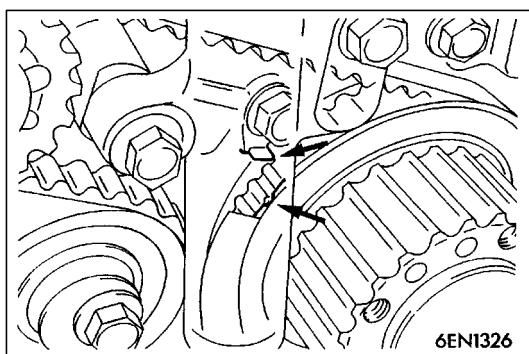
Even if the timing marks on the sprocket and the rocker cover are brought into alignment, the exhaust camshaft is forced back by the valve spring tension. It is stabilized at a position one tooth before the timing mark.



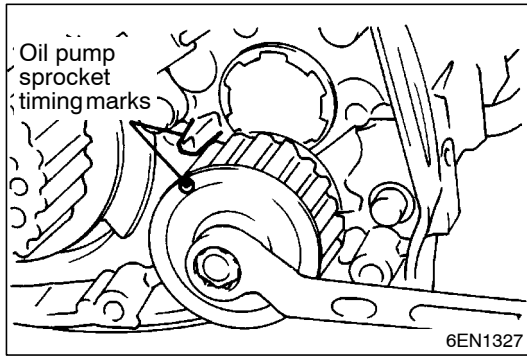
- (2) Align the timing mark on the intake side camshaft sprocket with that on the rocker cover.

NOTE

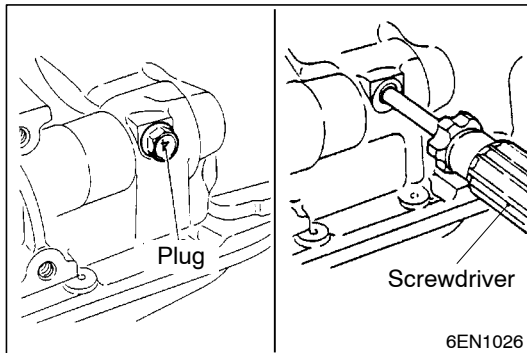
Even if the timing marks on the sprocket and the cover are brought into alignment, the intake camshaft is forced to turn one tooth in the clockwise direction by the valve spring tension and stabilized there.



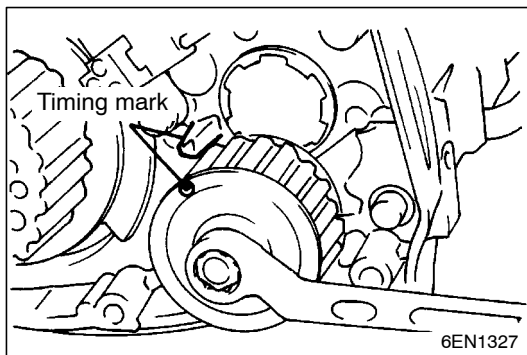
- (3) Place the timing mark on the crankshaft sprocket one tooth this side from the mated timing mark as in the case of the camshaft sprocket.



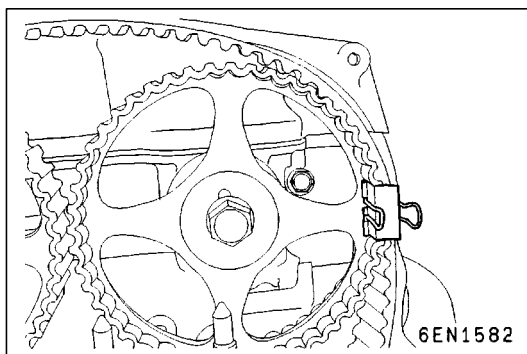
- (4) Align the timing mark on oil pump sprocket with its mating mark.



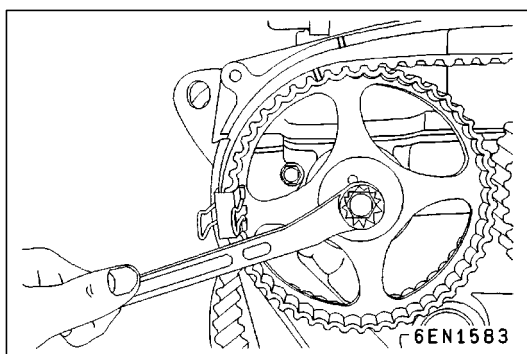
- (5) Remove the plug on cylinder block and insert a Phillips screwdriver (shank diameter 8 mm) through the hole (Engine with counterbalance shafts).
If it can be inserted as deep as 60 mm or more, the timing marks are correctly aligned. If the inserted depth is only 20 - 25 mm, turn the oil pump sprocket one turn and realign timing marks. Then check to ensure that the screwdriver can be inserted 60 mm or more. Keep the screwdriver inserted until installation of timing belt is finished.



- (6) Remove the Phillips screwdriver. Place the oil pump sprocket in a position where its timing mark is one tooth offset from the mated timing mark in the counterclockwise direction.



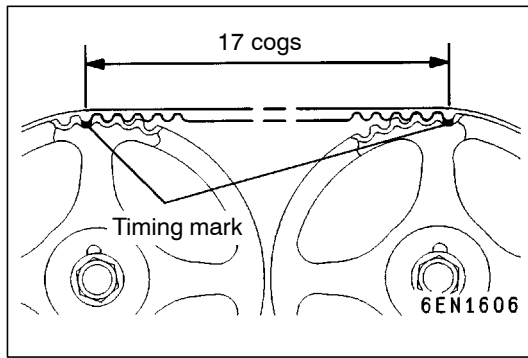
- (7) Fit the timing belt over the exhaust side camshaft sprocket, and secure it at the illustrated position using a paper clip.



- (8) Turn the intake side camshaft sprocket as shown to a position where its timing mark is one tooth offset from the mated timing mark in the counterclockwise direction. Then, fit the timing belt over the sprocket and secure it with a paper clip.

NOTE

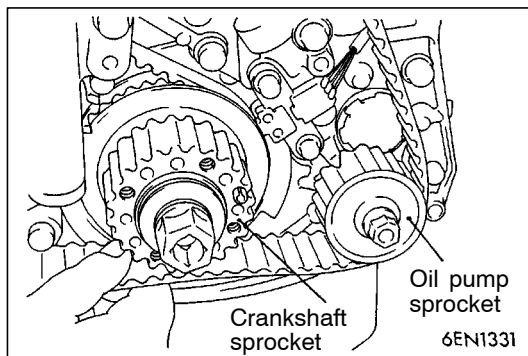
The intake camshaft will be turned a little clockwise by the valve spring tension and stabilized in position even if the belt is clipped at one tooth offset position.



- (9) Check to ensure that the timing marks on the intake camshaft sprocket side are in alignment when the exhaust camshaft sprocket is turned clockwise to align the timing marks.

NOTE

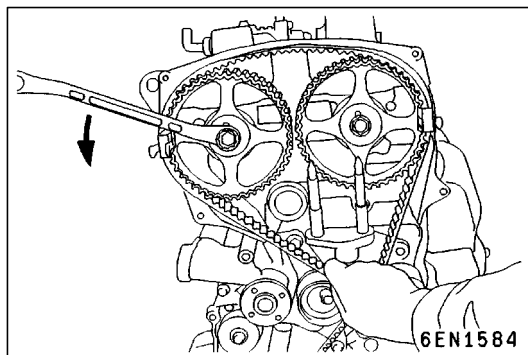
The timing belt span between the intake and exhaust sprockets will have 17 cogs.



- (10) Fit the timing belt over the idler pulley, oil pump sprocket and crankshaft sprocket in this order.

NOTE

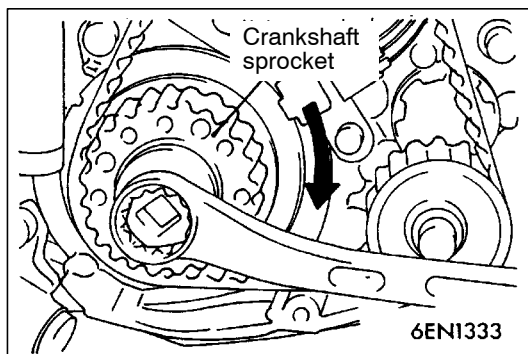
Be careful that the belt does not become slack.



- (11) Fit the timing belt over the tensioner pulley.

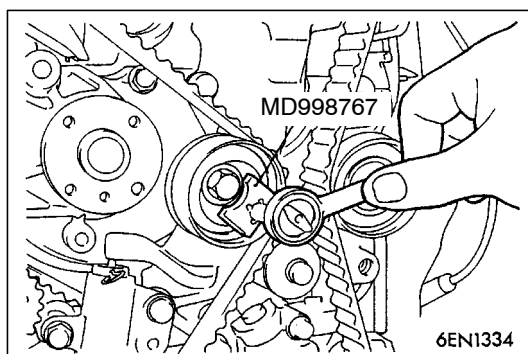
NOTE

When fitting the timing belt over the tensioner pulley, turn the intake side camshaft sprocket a little counterclockwise, as this will facilitate the work.



- (12) Turn the crankshaft pulley a little in the illustrated direction to pull up the timing belt at the idler pulley side.

- (13) Check to ensure that the timing marks on the crankshaft sprocket, oil pump sprocket and exhaust camshaft sprocket are all offset one tooth from the corresponding timing marks in the counterclockwise direction.

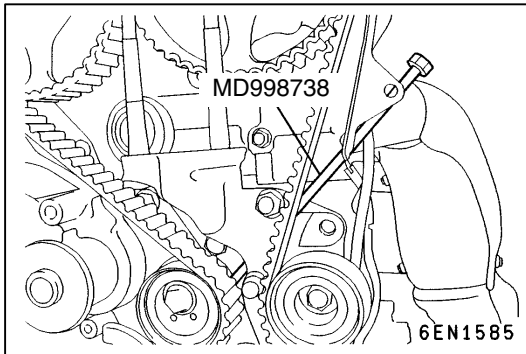


- (14) Using the special tool, turn the tensioner pulley in the illustrated direction to strain the timing belt. Then, secure the tensioner temporarily by tightening the retaining bolt lightly.

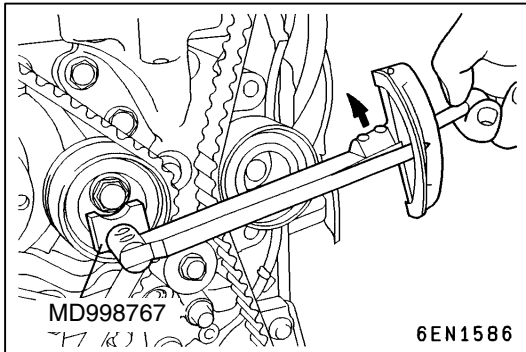
NOTE

There must be no slack in the timing belt between the intake and exhaust camshafts.

- (15) Turn the crankshaft to align the timing mark with the mark for No. 1 cylinder top dead center in the compression stroke.



- (16) Set the special tool as shown and screw it in up to the position where the wire inserted in the auto-tensioner when installing it can be moved lightly.



- (17) Loosen the retaining bolt of the tensioner pulley.

Caution

- Loosening the retaining bolt can cause the intake and exhaust camshafts to turn, resulting in slackened timing belt. Use care that the timing belt does not come off the sprockets at this time.

- (18) Pull up the slack of the timing belt by turning the tensioner in illustrated direction using the special tool and a torque wrench (0 – 5 Nm).

- (19) From this position, turn back the tensioner until the torque wrench reading becomes 3.5 Nm, then secure it by tightening the retaining bolt.

- (20) Remove the special tool attached in step (16).

- (21) Rotate the crankshaft clockwise 2 turns. Then, leave it intact 15 minutes.

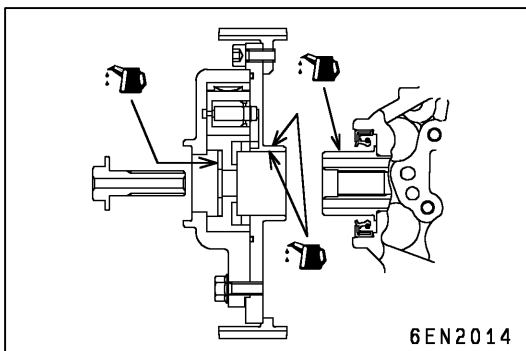
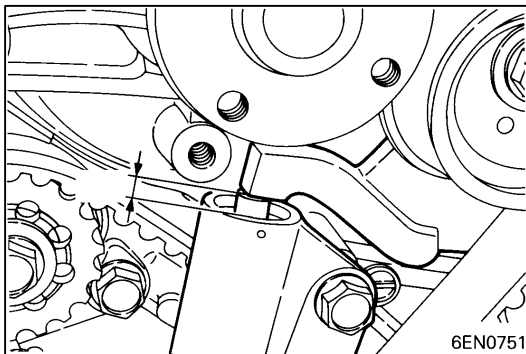
- (22) Check to see that the wire inserted when installing the auto-tensioner can be pulled out lightly. If it can be pulled out lightly, the timing belt is being tensioned properly. If so, remove the wire. In addition, check that the rod protrusion from the auto-tensioner meets the standard value, which is also an indication of properly tensioned timing belt.

Standard value: 3.8 – 4.5 mm

- (23) If the wire cannot be removed with a light force, repeat steps (16) through (21) until the proper belt tensioner is obtained.

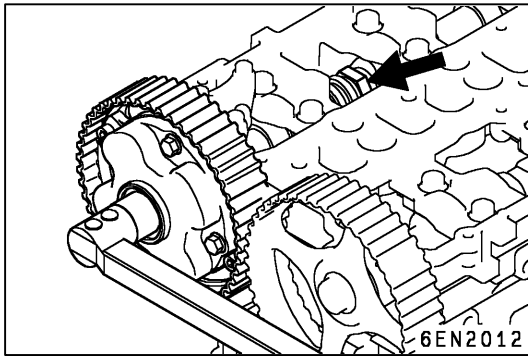
Caution

- Check the tightening torque of the crankshaft bolt after rotating the crankshaft counterclockwise using the crankshaft bolt. Retighten the bolt if the tightening torque is not up to specification.

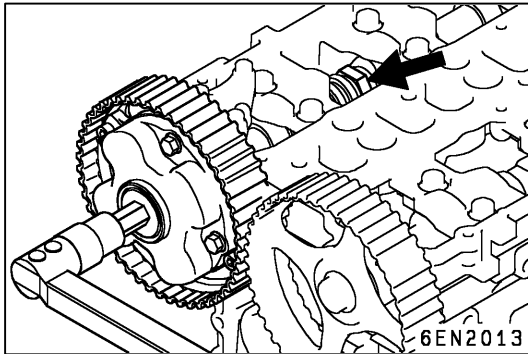


►M◄ V.V.T. SPROCKET / V.V.T. SPROCKET BOLT INSTALLATION

- Apply a small amount of engine oil to the camshaft end and the inserting section (entire inner and outer peripheries) of the V.V.T. sprocket.
- Fit the V.V.T. sprocket on the camshaft.
- Lubricate the threads and seating surface of the V.V.T. sprocket bolt and the seating surface of the washer with engine oil.



- (4) Using a wrench, hold the camshaft at its hexagonal portion and tighten the V.V.T. sprocket bolt to the specification.

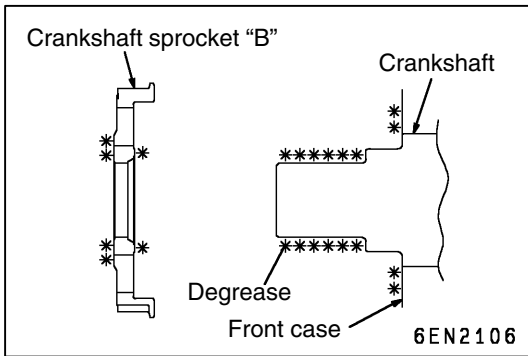


▶◀ PLUG CAP INSTALLATION

- (1) Using a wrench, hold the camshaft at its hexagonal portion and tighten the plug cap to the specification.

Caution

- Do not reuse the removed washer.

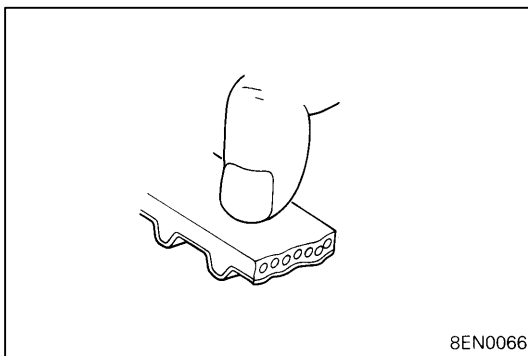


▶◀ CRANKSHAFT SPROCKET "B" INSTALLATION

- (1) Clean and then degrease the front face of the front case, crankshaft sprocket "B" and crankshaft surface on which sprocket "B" is attached.

NOTE

Degreasing is necessary to prevent decrease in the friction between contacting surfaces.

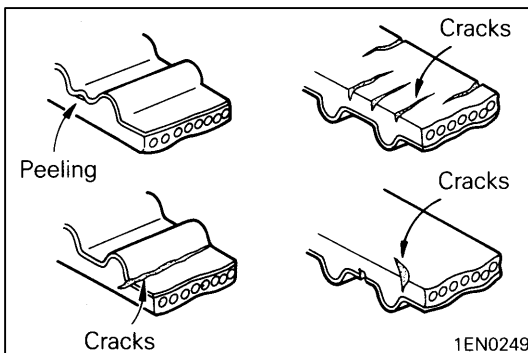


INSPECTION

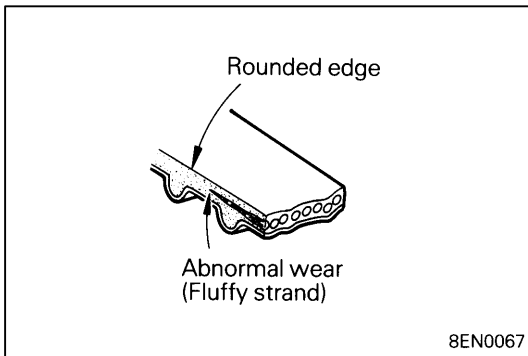
TIMING BELT

Replace belt if any of the following conditions exist.

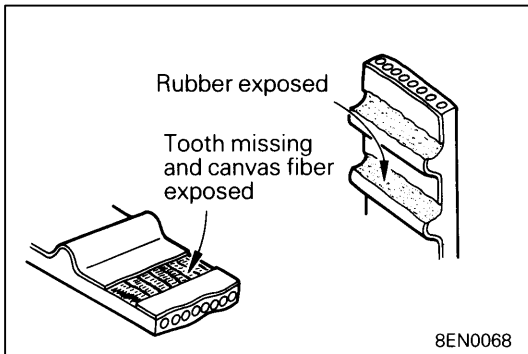
- (1) Hardening of back rubber.
Back side is glossy without resilience and leaves no indent when pressed with fingernail.



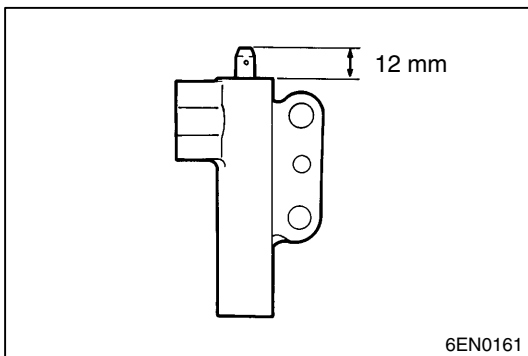
- (2) Cracks on rubber back.
- (3) Cracks or peeling of canvas.
- (4) Cracks on rib root.
- (5) Cracks on belt sides.



- (6) Abnormal wear of belt sides. The sides are normal if they are sharp as if cut by a knife.



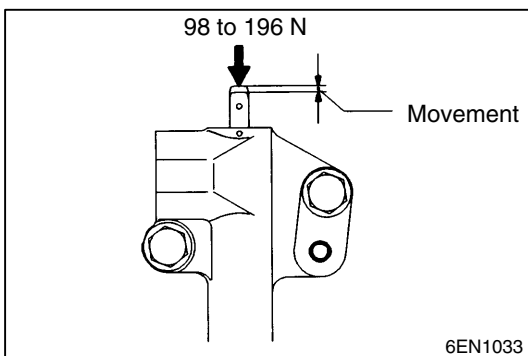
- (7) Abnormal wear on teeth.
(8) Missing tooth.



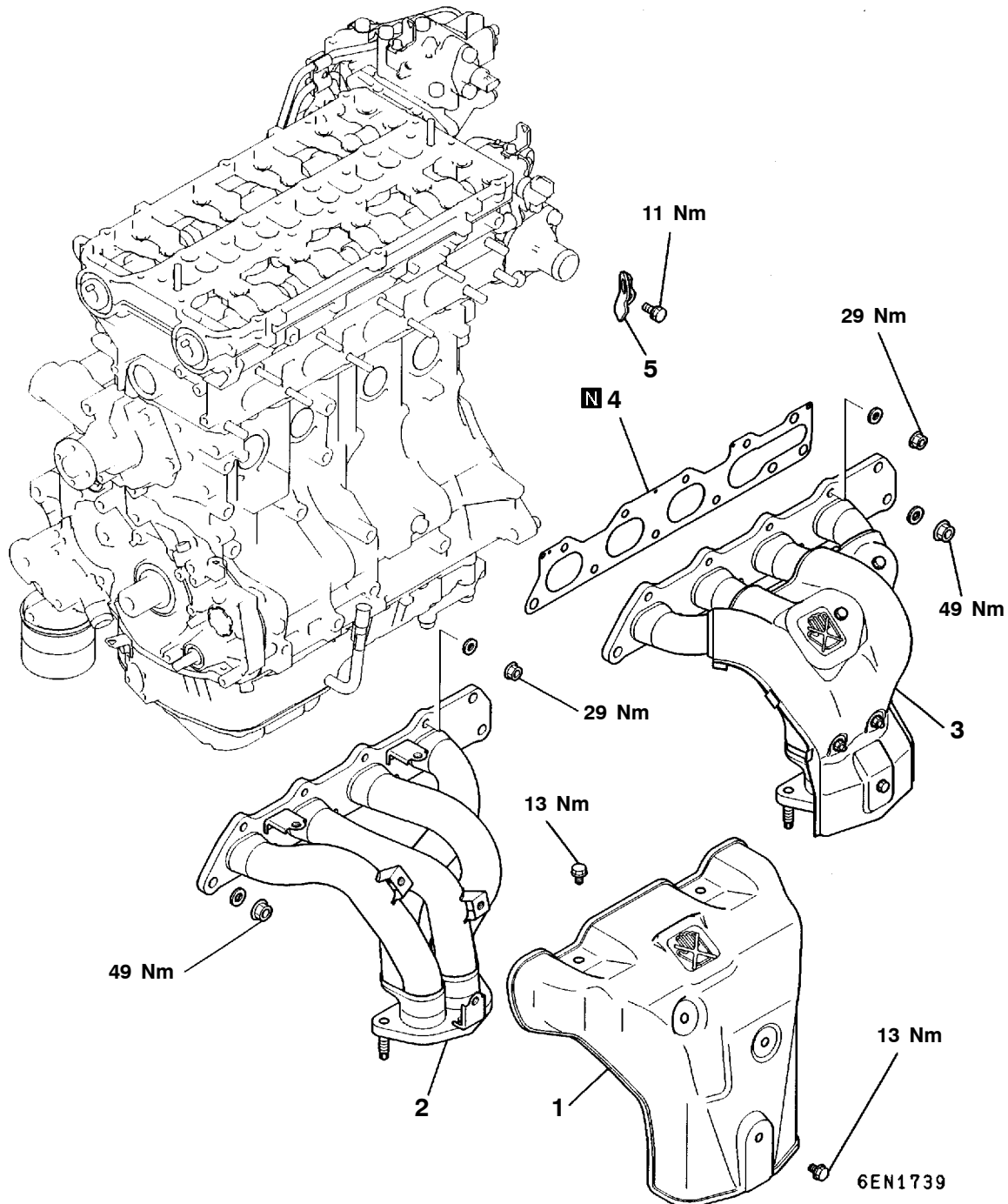
AUTO TENSIONER

- (1) Check the auto tensioner for possible leaks and replace as necessary.
- (2) Check the rod end for wear or damage and replace as necessary.
- (3) Measure the rod protrusion. If it is out of specification, replace the auto tensioner.

Standard value: 12 mm

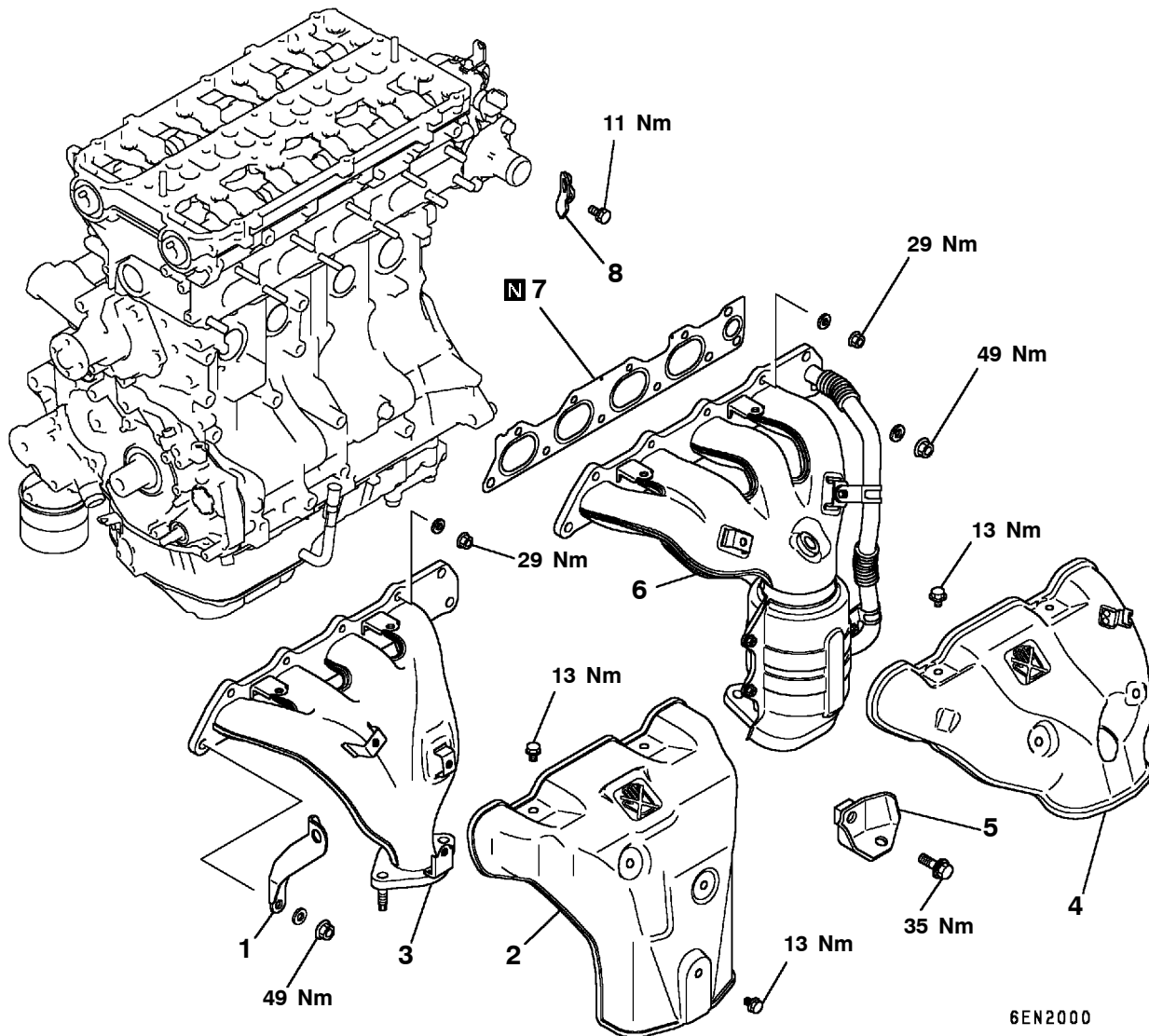


- (4) Press the rod with a force of 98 to 196 N and measure its protrusion.
- (5) If the measured value is 1 mm or more shorter than the value obtained in step (3), replace the auto tensioner.

4a. EXHAUST MANIFOLD (GDI)**REMOVAL AND INSTALLATION (UP TO 2000 MODEL)****Removal steps**

1. Exhaust manifold cover (Vehicle for Europe)
2. Exhaust manifold (Vehicle for Europe)
3. Exhaust manifold (Vehicle for Hong Kong)
4. Exhaust manifold gasket
5. Engine hanger

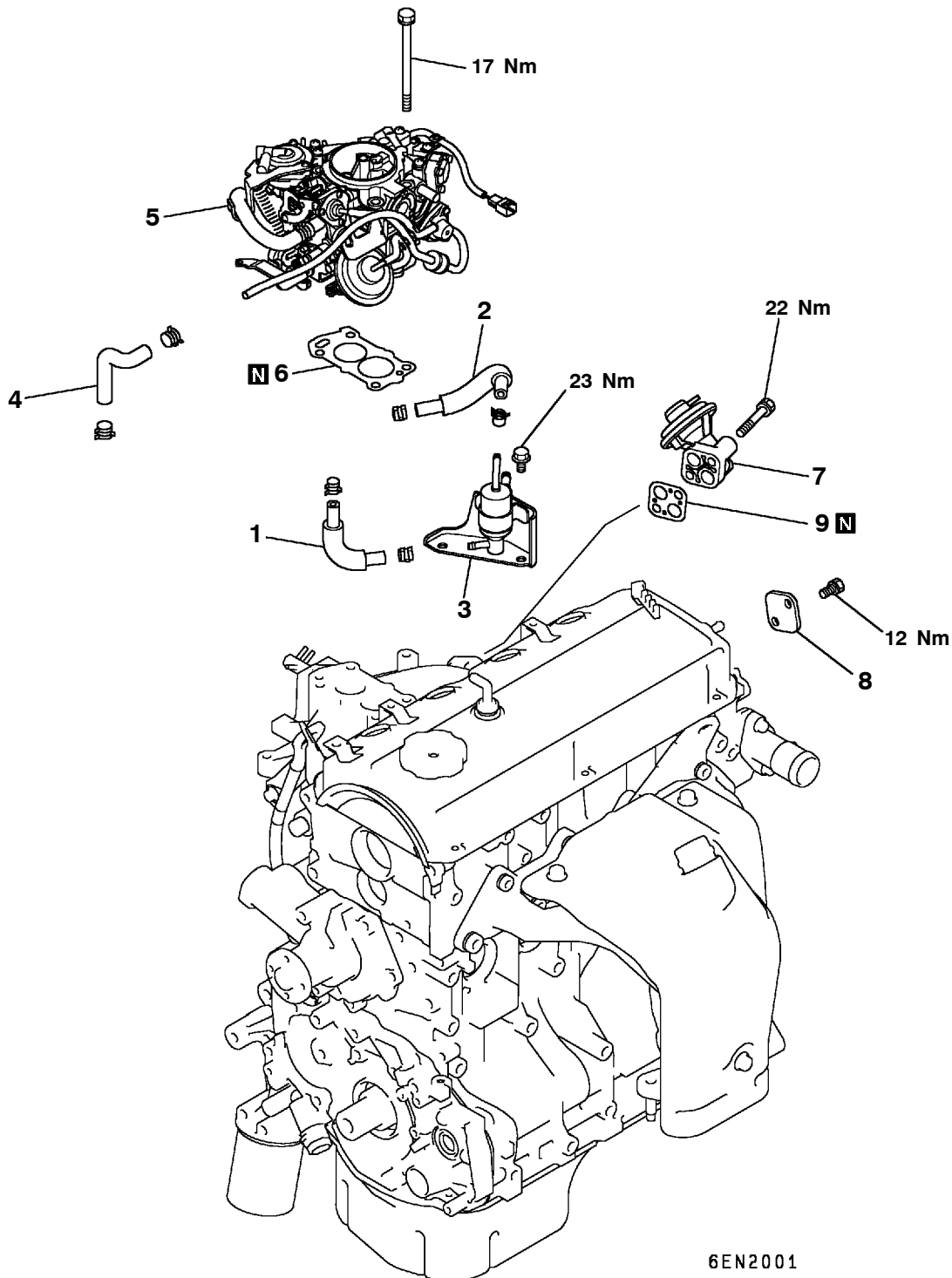
REMOVAL AND INSTALLATION (FROM 2001 MODEL)

**Removal steps**

1. Engine hanger (SPACE RUNNER and SPACE WAGON)
2. Exhaust manifold cover (Vehicle for Europe)
3. Exhaust manifold (Vehicle for Europe)
4. Exhaust manifold cover (SPACE WAGON for Hong Kong)
5. Exhaust manifold bracket (SPACE WAGON for Hong Kong)
6. Exhaust manifold (SPACE WAGON for Hong Kong)
7. Exhaust manifold gasket
8. Engine hanger (GALANT)

5. FUEL AND EMISSION CONTROL PARTS

REMOVAL AND INSTALLATION <CARBURETOR>

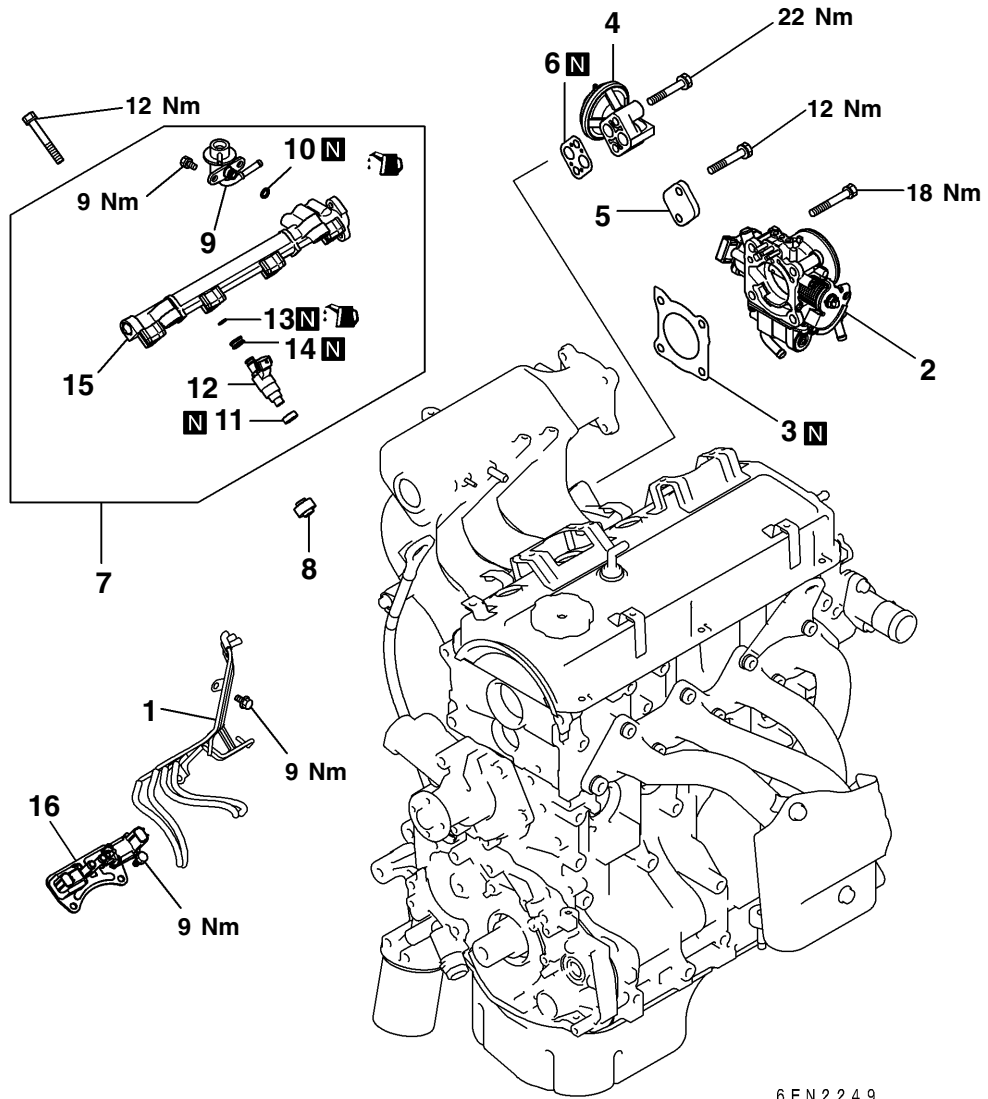


Removal steps

1. Fuel hose
2. Fuel hose
3. Fuel vapor separator
4. Water hose
5. Carburetor

6. Gasket
7. EGR valve (With EGR valve)
8. Cover (Without EGR valve)
9. Gasket

REMOVAL AND INSTALLATION <MULTIPOINT FUEL INJECTION – SPACE RUNNER and SPACE WAGON with 4G63 engine, GALANT, FROM 2004 MODEL SPACE WAGON with 4G64 engine>

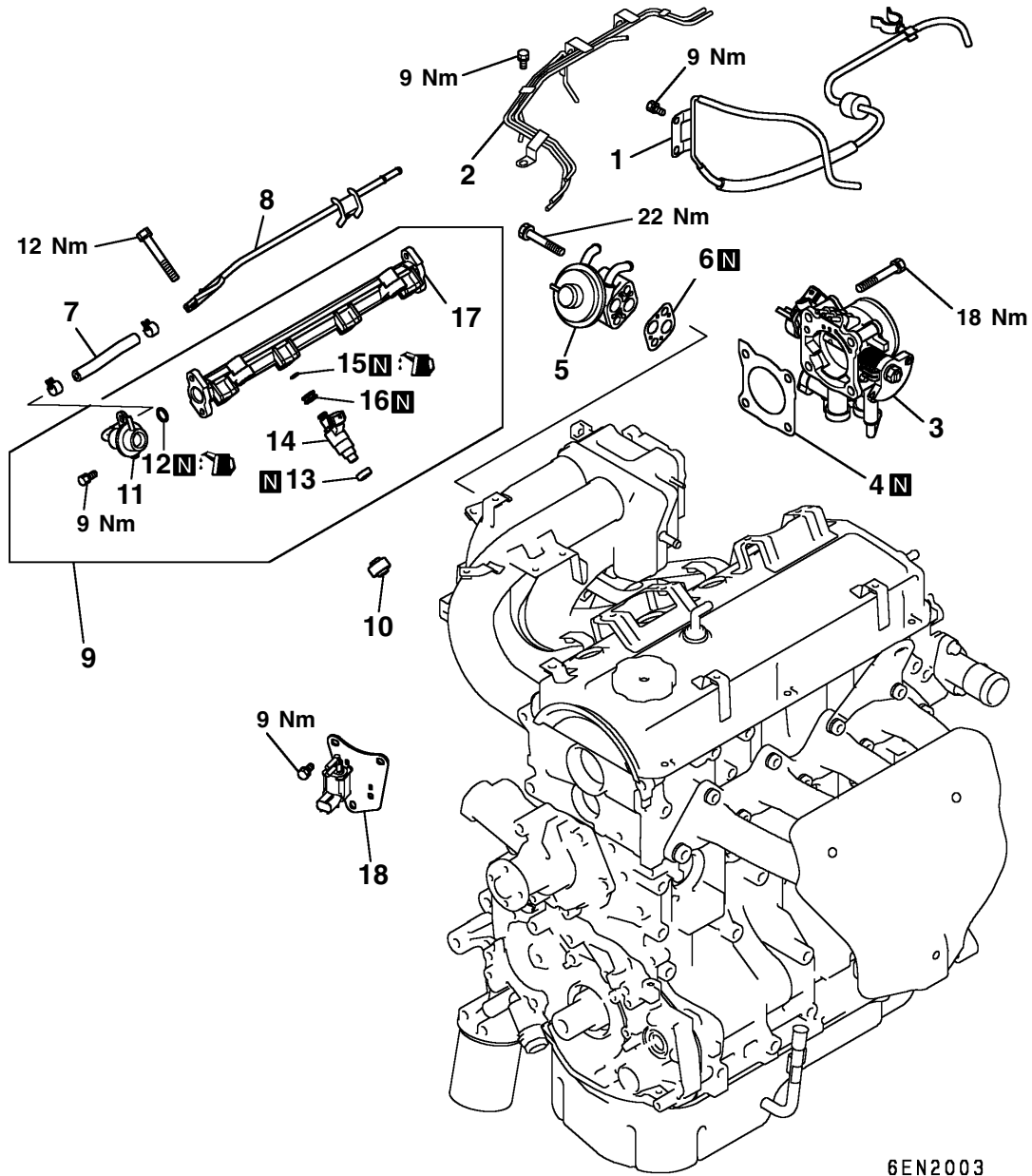


6 EN 2 2 4 9

Removal steps

- | | |
|----------------------------------------------------------------------------------------------------------------------------------------------------------------------------------------------------------------------------------------------------------------------------------------------------------------------------------|---------------------------------------------------------------------------------------------------------------------------------------------------------------------------------------------------------------------------------------------------------------------------------|
| <p>►C◄</p> <ol style="list-style-type: none"> 1. Vacuum hose and pipe assembly 2. Throttle body 3. Throttle body gasket 4. EGR valve (With EGR valve) 5. Cover (Without EGR valve) 6. EGR valve gasket 7. Injectors and delivery pipe 8. Insulator | <p>►B◄</p> <ol style="list-style-type: none"> 9. Fuel pressure regulator 10. O-ring 11. Insulator ►A◄ 12. Injectors 13. O-ring 14. Grommet 15. Delivery pipe 16. Solenoid valve assembly |
|----------------------------------------------------------------------------------------------------------------------------------------------------------------------------------------------------------------------------------------------------------------------------------------------------------------------------------|---------------------------------------------------------------------------------------------------------------------------------------------------------------------------------------------------------------------------------------------------------------------------------|

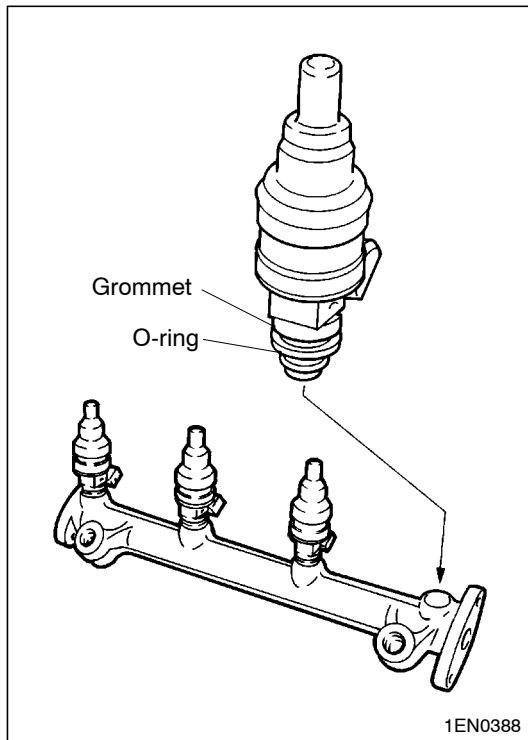
REMOVAL AND INSTALLATION <MULTIPOINT FUEL INJECTION – UP TO 2003 MODEL SPACE WAGON with 4G64 engine>



6EN2003

Removal steps

- | | |
|--------------------------------------------------------------------------------------------------------------------------------------------------------------------------------------------------------------------------------------------------------------------------------------------------------------------------------------------------|---------------------------------------------------------------------------------------------------------------------------------------------------------------------------------------------------------------------------------------------------------------------------------------------------------|
| <p>▶C◀</p> <ol style="list-style-type: none"> 1. Vacuum hose and pipe assembly 2. Vacuum hose and pipe assembly 3. Throttle body 4. Throttle body gasket 5. EGR valve 6. EGR valve gasket 7. Fuel hose 8. Fuel return pipe 9. Injectors and delivery pipe | <p>▶B◀</p> <ol style="list-style-type: none"> 10. Insulator 11. Fuel pressure regulator 12. O-ring 13. Insulator ▶A◀ 14. Injectors 15. O-ring 16. Grommet 17. Delivery pipe 18. Solenoid valve assembly |
|--------------------------------------------------------------------------------------------------------------------------------------------------------------------------------------------------------------------------------------------------------------------------------------------------------------------------------------------------|---------------------------------------------------------------------------------------------------------------------------------------------------------------------------------------------------------------------------------------------------------------------------------------------------------|



INSTALLATION SERVICE POINTS

►A◄ INJECTORS INSTALLATION

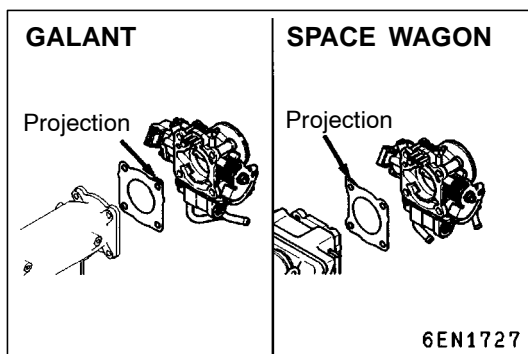
- (1) Before installing an injector, the rubber O-ring must be lubricated with a drop of clean engine oil to aid in installation.
- (2) Install injector top end. Be careful not to damage O-ring during installation.

►B◄ FUEL PRESSURE REGULATOR INSTALLATION

- (1) Apply a small amount of new engine oil to the O-ring. Insert the fuel pressure regulator into the delivery pipe being careful not to damage the O-ring.

Caution

- **Be sure not to let engine oil get into the delivery pipe.**
- (2) Check that the fuel pressure regulator turns smoothly. If it does not turn smoothly, the O-ring may be trapped. Remove the fuel pressure regulator and check the O-ring for damage, and then re-insert it into the delivery pipe and check once again.

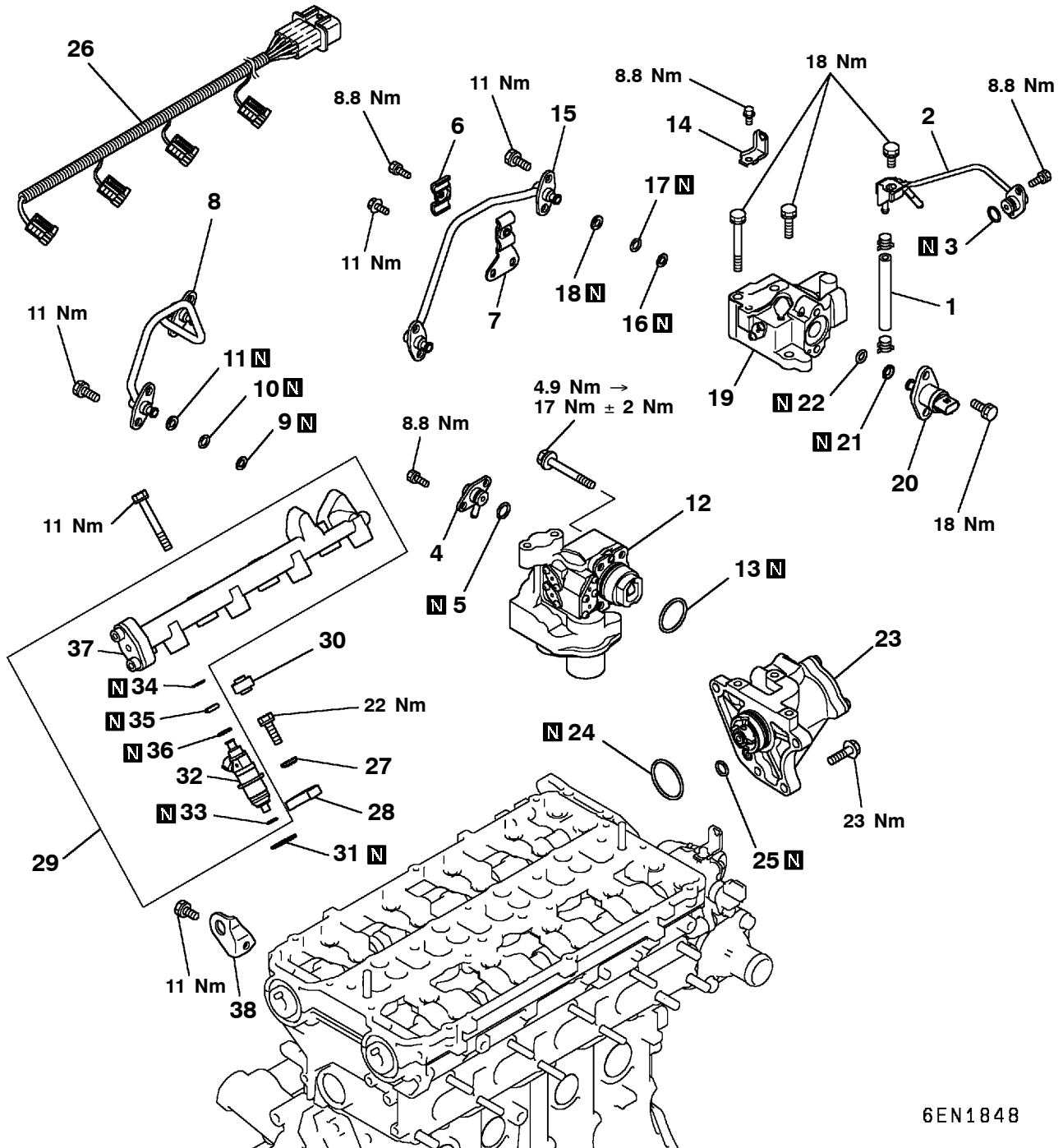


►C◄ GASKET INSTALLATION

- (1) Position the projection as shown in the illustration.

5a. FUEL PART (GDI)

REMOVAL AND INSTALLATION (UP TO 2000 MODEL SPACE RUNNER, UP TO 2000 MODEL SPACE WAGON, GALANT)

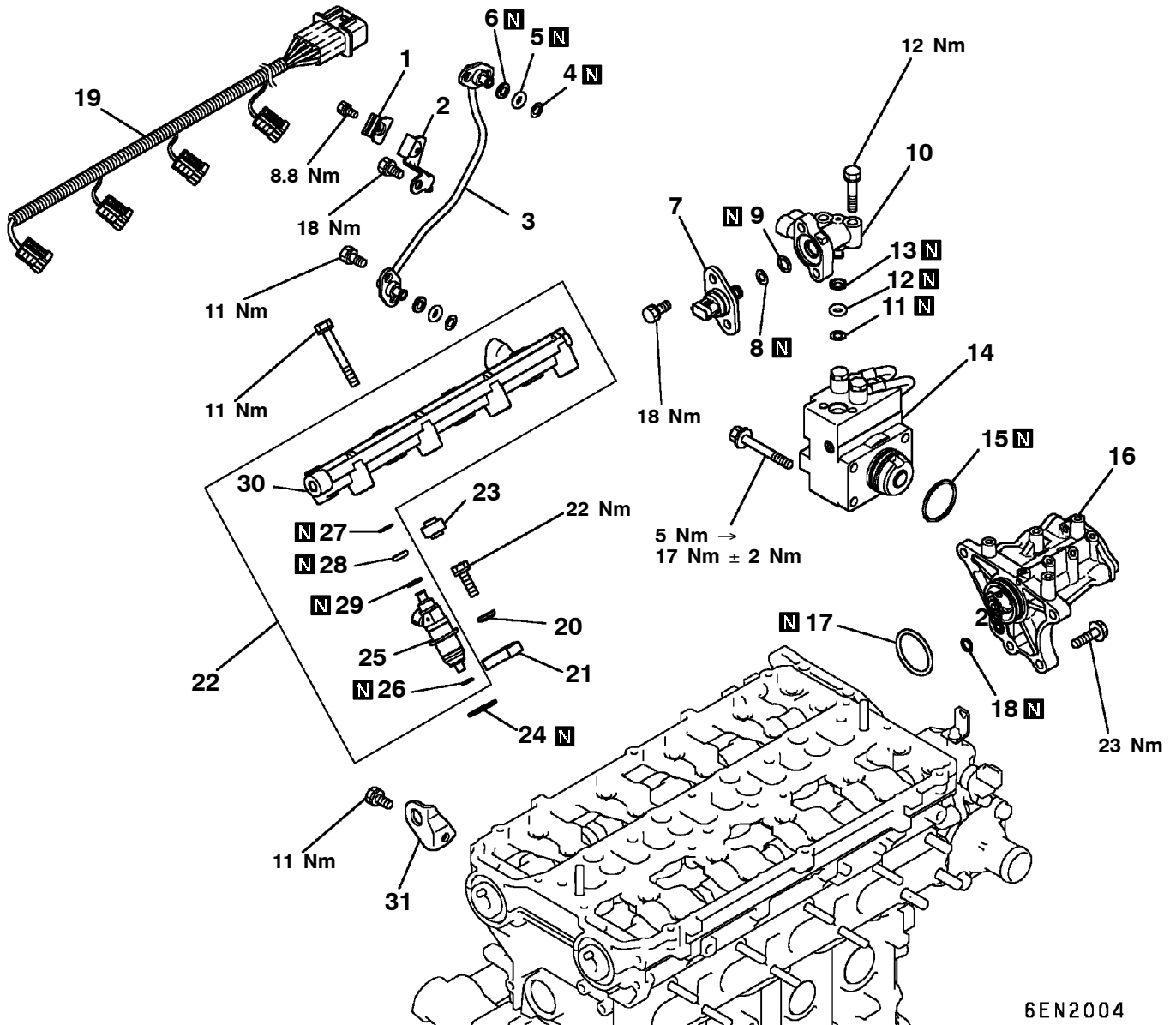


6EN1848

Removal steps

- | | | | | |
|-----|----------------------------------|--|-----|-----------------------------------------|
| | 1. Fuel hose | | ▶D◀ | 20. Fuel pressure sensor |
| | 2. Fuel low pressure pipe | | | 21. Backup ring |
| | 3. O-ring | | | 22. O-ring |
| | 4. Fuel pump return nipple | | ▶C◀ | 23. Pump camshaft case |
| | 5. O-ring | | | 24. O-ring |
| | 6. Clamp A | | | 25. O-ring |
| | 7. Fuel pipe bracket | | | 26. Injector harness |
| ▶F◀ | 8. Fuel feed pipe | | | 27. Washer |
| | 9. Backup ring | | | 28. Injector holder |
| | 10. O-ring | | ▶B◀ | 29. Delivery pipe and injector assembly |
| | 11. Backup ring | | | 30. Insulator |
| ▶F◀ | 12. Fuel pump | | | 31. Injector washer |
| | 13. O-ring | | | 32. Injector |
| | 14. Harness bracket | | ▶A◀ | 33. Corrugated washer |
| ▶E◀ | 15. Fuel return pipe | | ▶A◀ | 34. Backup ring |
| | 16. Backup ring | | ▶A◀ | 35. O-ring |
| | 17. O-ring | | ▶A◀ | 36. Backup ring |
| | 18. Backup ring | | | 37. Delivery pipe |
| ▶E◀ | 19. Fuel high pressure regulator | | | 38. Engine hanger |

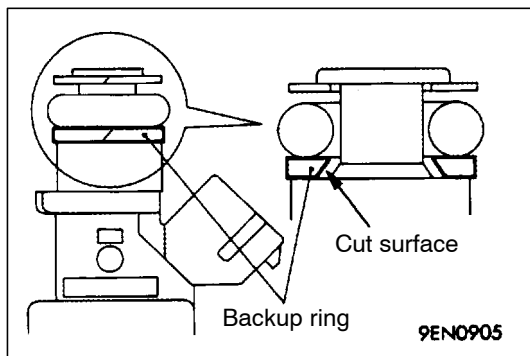
REMOVAL AND INSTALLATION (FROM 2001 MODEL SPACE RUNNER, FROM 2001 MODEL SPACE WAGON)



6EN2004

Removal steps

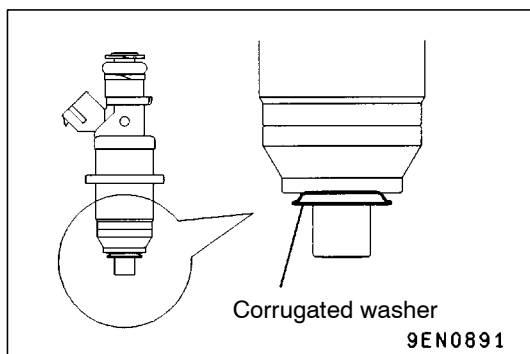
1. Clamp
2. Fuel pipe bracket
- ▶G◀ 3. Fuel pipe
4. Backup ring
5. O-ring
- ▶D◀ 6. Backup ring
7. Fuel pressure sensor
8. Backup ring
9. O-ring
- ▶G◀ 10. Fuel fitting
11. Backup ring
12. O-ring
13. Backup ring
- ▶G◀ 14. Fuel pump
15. O-ring
- ▶C◀ 16. Pump camshaft case
17. O-ring
18. O-ring
19. Injector harness
20. Washer
21. Injector holder
- ▶B◀ 22. Delivery pipe and injector assembly
23. Insulator
24. Injector washer
25. Injector
- ▶A◀ 26. Corrugated washer
- ▶A◀ 27. Backup ring
- ▶A◀ 28. O-ring
- ▶A◀ 29. Backup ring
30. Delivery pipe
31. Engine hanger



INSTALLATION SERVICE POINTS

▶A◀ BACKUP RING / CORRUGATED WASHER INSTALLATION

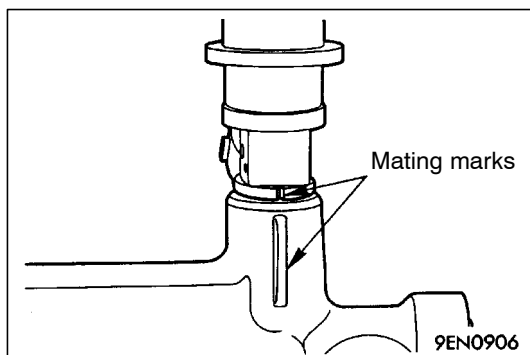
- (1) Attach the backup ring and O-ring to the injector. The thicker backup ring must be so installed that the inside cut surface is directed as shown in the illustration.



- (2) Coat the corrugated washer with white vaseline and install it to the injector as shown.

Caution

- Always replace the corrugated washer with new one. Reused corrugated washer can cause fuel or gas leaks.

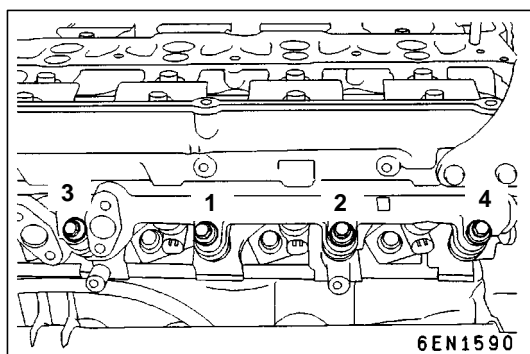
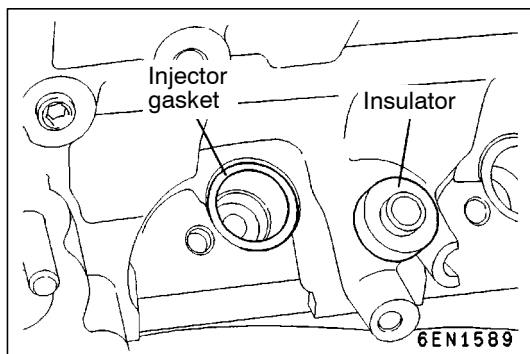


▶B◀ DELIVERY PIPE AND INJECTOR ASSEMBLY INSTALLATION

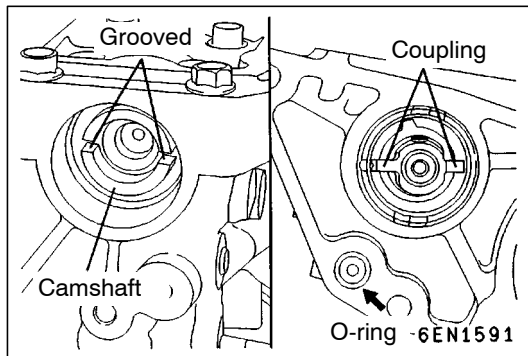
- (1) Lubricate O-ring in the injector with spindle oil gasoline.
- (2) Insert the injector straight into the injector mounting hole in the delivery pipe.
- (3) Turn the injector clockwise and counterclockwise. If it does not rotate smoothly, remove it to check for damaged O-ring. Damaged O-ring must be replaced with a new one. Reinstall the injector and check for smooth rotation again.
- (4) Align the mating mark on the injector with that on the delivery pipe.
- (5) Install the injector gaskets and insulators on the cylinder head. The insulator can drop off easily. Apply vaseline to it before installation so that it may be held in position.
- (6) Install the delivery pipe and injector assembly onto the cylinder head, tighten the fasteners temporarily.
- (7) Install the injector holders and the washers to the assembly and tighten the fasteners to the specified torque.

Caution

- Strictly observe the specified torque.



- (8) Tighten the fasteners of the delivery pipe and injector assembly to the specified torque in the order given in the illustration.



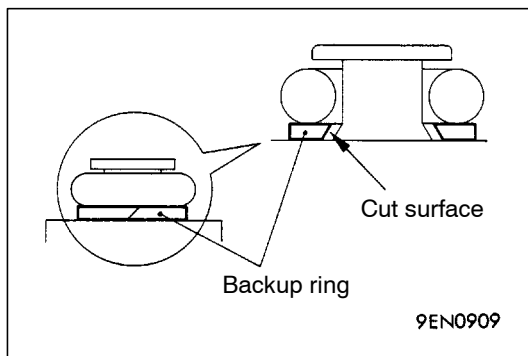
►C◄ PUMP CAMSHAFT CASE INSTALLATION

- (1) Lubricate the O-ring (smaller one for oil passage) with vaseline and install it in the pump camshaft case.
- (2) Apply small amount of engine oil to the O-ring (larger one) in the case.
- (3) Install the pump camshaft case onto the cylinder head while aligning its coupling with the groove in the camshaft end.

NOTE

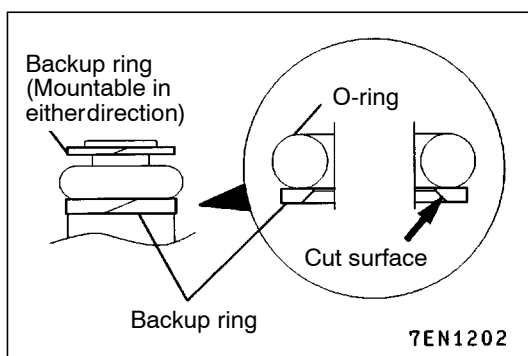
The key of the coupling and the groove in the camshaft end are both arranged offset with respect to the camshaft center.

- (4) Tighten the pump camshaft case mounting bolts to the specified torque.



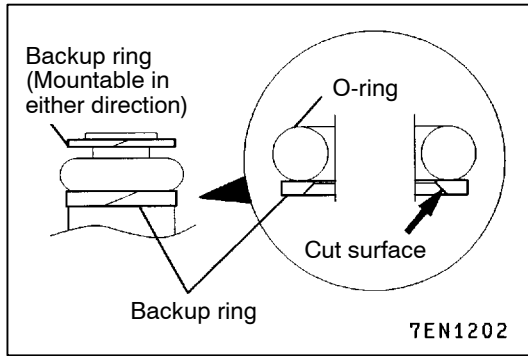
►D◄ FUEL PRESSURE SENSOR INSTALLATION

- (1) Install the backup ring to the fuel pressure sensor with its inside cut surface in the illustrated direction.
- (2) Install the fuel pressure sensor straight into the fuel pressure regulator with labeled surface upward.
- (3) Tighten the fuel pressure sensor mounting bolt to the specified torque.



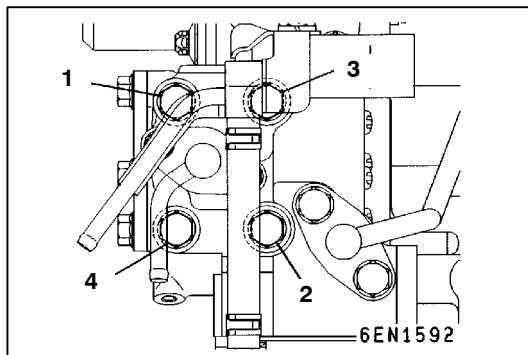
►E◄ FUEL HIGH PRESSURE REGULATOR / FUEL RETURN PIPE INSTALLATION

- (1) Install the fuel high pressure regulator on the pump camshaft case and tighten the 3 bolts lightly (with somewhat larger torque than finger tight). Tightening to the specification is to be carried out in the step described in ►F◄.
- (2) Fit the backup rings and the O-ring on both ends of the fuel return pipe. Note that the larger backup ring must be installed with the inside cut surface in the direction shown in the illustration.
- (3) Lubricate the O-rings on both ends of the pipe with spindle oil or gasoline.
- (4) Insert the fuel return pipe ends straight in the respective mounting holes of the pressure regulator and the delivery pipe. Be sure to insert the pipe fully to the stop using care not to twist it.
- (5) Tighten the bolts at both ends of the pipe to the specified torque.



►F◄ FUEL PUMP / FUEL FEED PIPE INSTALLATION

- (1) Apply engine oil to the O-ring on the fuel pump.
- (2) Insert the fuel pump into the mounting hole in the pump camshaft case, and secure it temporarily with 4 bolts (tighten somewhat with a larger torque than finger tight).
- (3) Fit the backup rings and the O-ring on both ends of the feed pipe. Note that the larger backup ring must be installed with the inside cut surface in the direction shown in the illustration.
- (4) Lubricate the O-rings on both ends of the pipe with spindle oil or gasoline.
- (5) Insert the fuel feed pipe ends straight in the respective mounting holes of the fuel and the delivery pipe. Be sure to insert the pipe fully to the stop using care not to twist it.
- (6) Tighten the bolts at ends of the pipe to the specified torque.
- (7) Tighten the mounting bolts of the fuel pressure regulator to the specified torque.

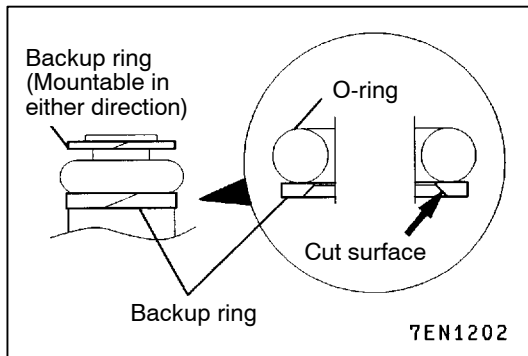


- (8) Using a torque wrench having the minimum scale of 0.5 Nm, tighten the fuel pump mounting bolts in the following order.
 - 1) Tighten the bolts to 4.9 Nm in the order given in the illustration.
 - 2) Tighten the bolts to 17 Nm in the order given in the illustration. The torque variation among 4 bolts must be within 2 Nm.

Caution

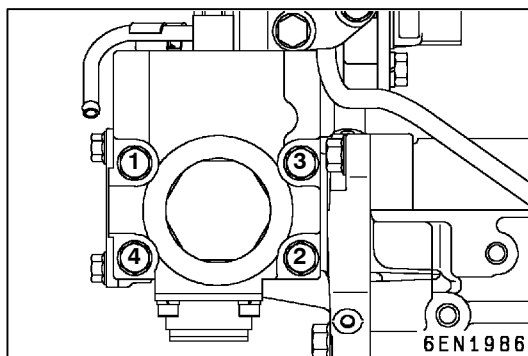
- **Strictly observe the specified tightening torque. Deviation from the specification can cause problems such as leakage or the like.**

- (9) Clamp the fuel return pipe and feed pipe using the fuel pipe bracket and clamp A, and tighten them lightly.
- (10) Secure the fuel pipe bracket to the cam cap temporarily.
- (11) Tighten the bolts which are securing the pipes temporarily to the specified torque.
- (12) Tighten the bolts on the beam cam shaft side which have been temporarily tightened to the specified torque.



►G◄ FUEL PUMP / FUEL FITTING INSTALLATION

- (1) Apply engine oil to the O-ring on the fuel pump.
- (2) Insert the fuel pump into the mounting hole in the pump camshaft case, and secure it temporarily with 4 bolts (tighten somewhat with a larger torque than finger tight).
- (3) Fit the backup rings and the O-ring on the fuel fitting. Note that the larger backup ring must be installed with the inside cut surface in the direction shown in the illustration.
- (4) Lubricate the O-ring on the fuel fitting with spindle oil or gasoline.
- (5) Insert the fuel fitting straight into the mounting hole in the fuel pump.
Tighten the two bolts lightly (tighten somewhat with a larger torque than the finger tight).
- (6) Fit the backup rings and the O-ring on both ends of the fuel pipe. Note that the larger backup ring must be installed with the inside cut surface in the direction shown in the illustration.
- (7) Lubricate the O-rings on both ends of the pipe with spindle oil or gasoline.
- (8) Insert the fuel pipe ends straight in the respective mounting holes of the fuel fitting and the delivery pipe. Be sure to insert the pipe fully to the stop using care not to twist it.
- (9) Tighten the bolts at ends of the fuel pipe to the specified torque.
- (10) Tighten the mounting bolts of the fuel fitting to the specified torque (12±1 Nm).



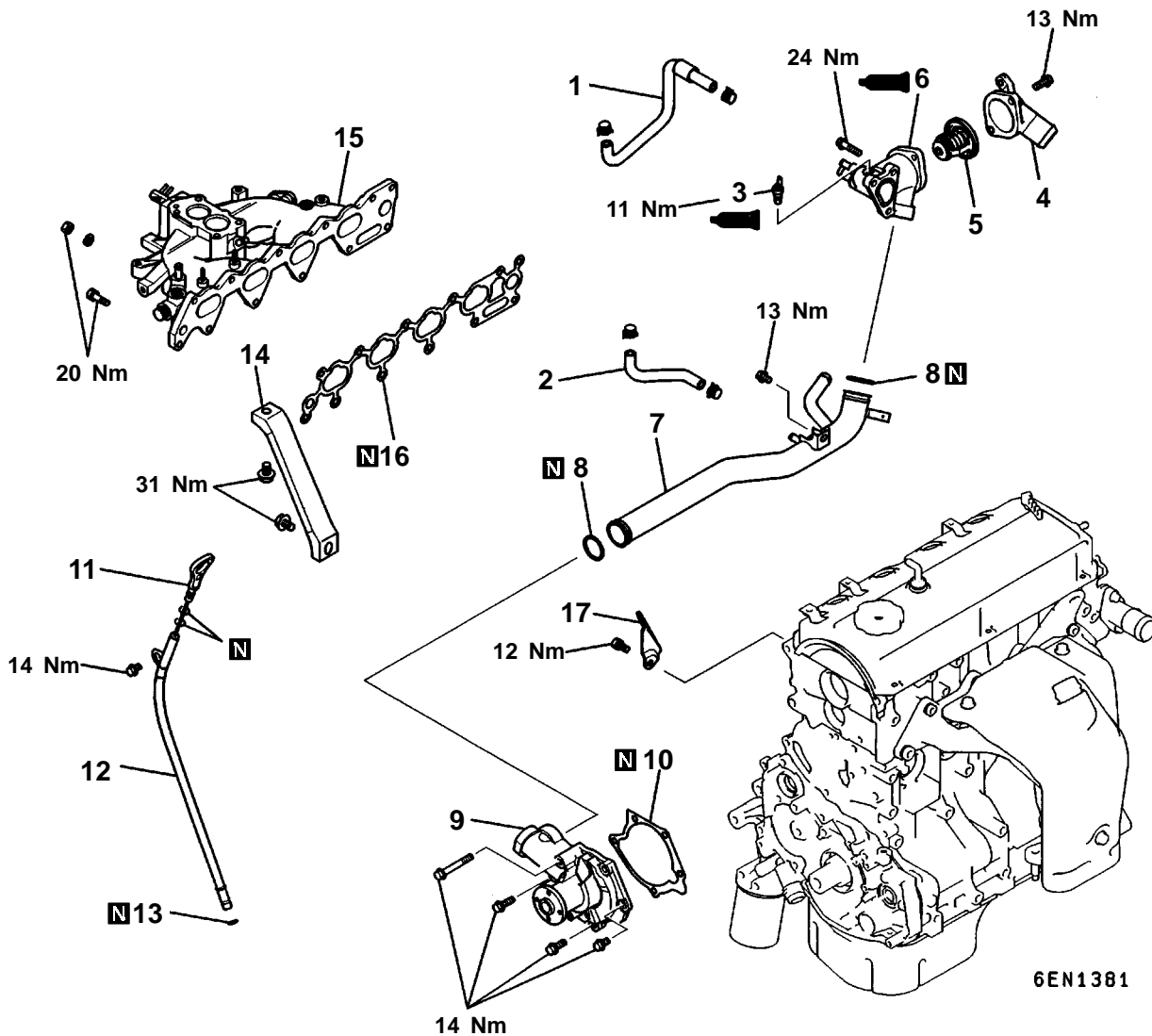
- (11) Using a torque wrench having the minimum scale of 0.5 Nm, tighten the fuel pump mounting bolts in the following order.
 - 1) Tighten the bolts to 5 Nm in the order given in the illustration.
 - 2) Tighten the bolts to 17 Nm in the order given in the illustration. The torque variation among 4 bolts must be within 2 Nm.

Caution

- **Strictly observe the specified tightening torque. Deviation from the specification can cause problems such as leakage or the like.**

6. WATER PUMP AND INTAKE MANIFOLD

REMOVAL AND INSTALLATION <CARBURETOR>

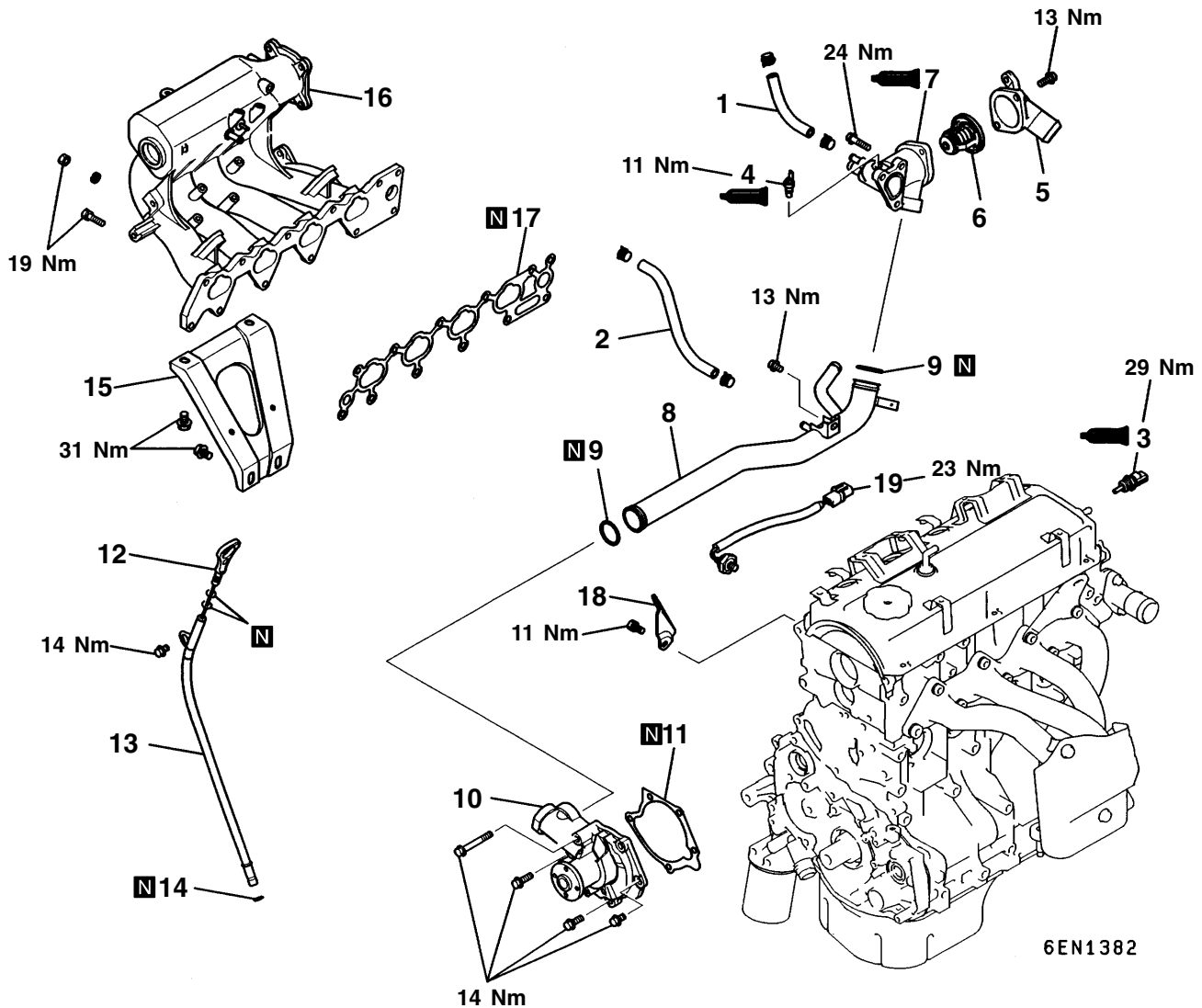


Removal steps

- 1. Water hose
- 2. Water hose
- ▶C◀ 3. Engine coolant temperature gauge unit
- 4. Water inlet fitting
- 5. Thermostat
- ▶B◀ 6. Thermostat housing
- ▶A◀ 7. Water inlet pipe
- ▶A◀ 8. O-ring

- 9. Water pump
- 10. Water pump gasket
- 11. Oil level gauge
- 12. Oil level gauge guide
- 13. O-ring
- 14. Intake manifold stay
- 15. Intake manifold
- 16. Intake manifold gasket
- 17. Engine hanger

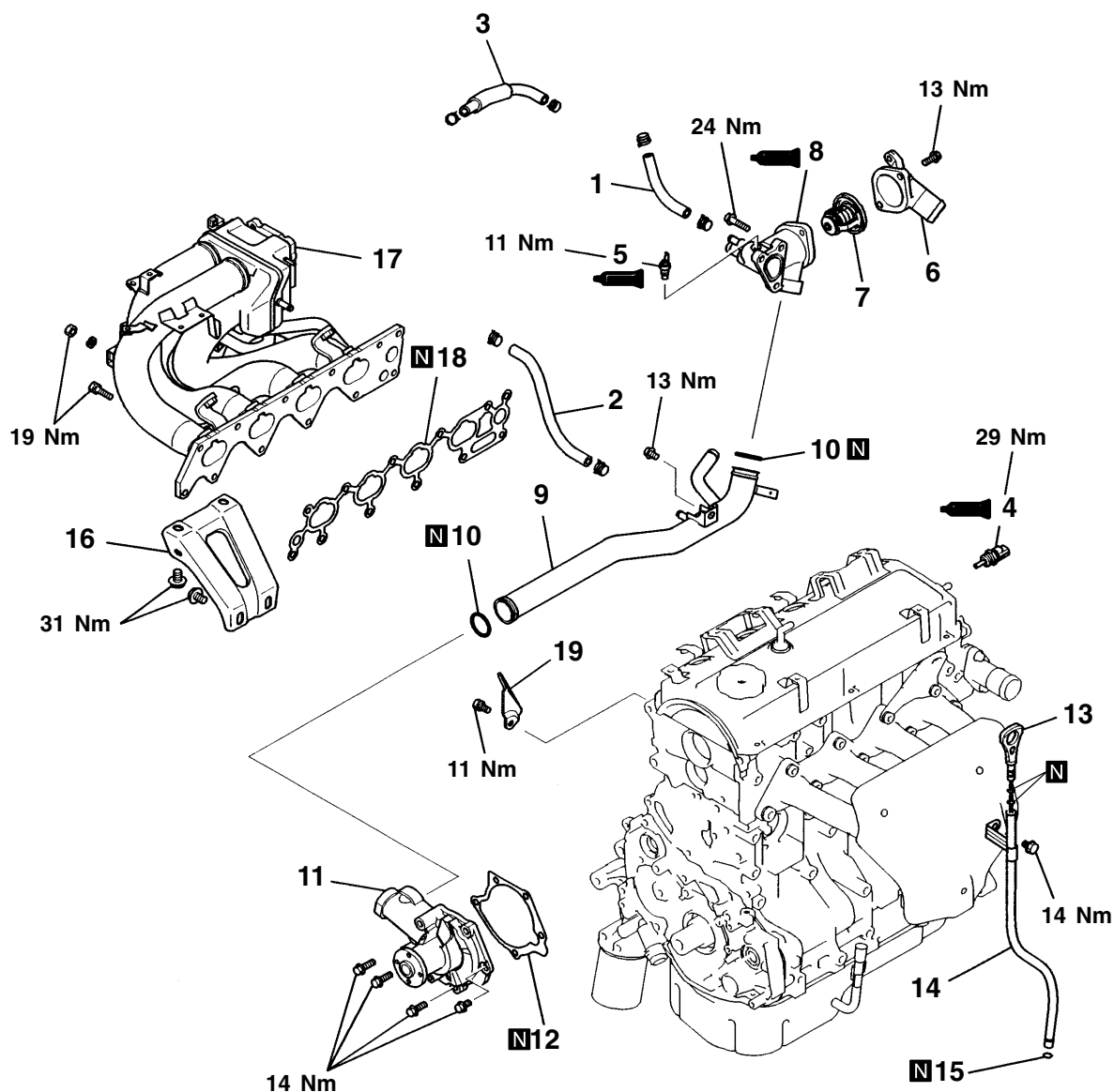
REMOVAL AND INSTALLATION <MULTIPOINT FUEL INJECTION – SPACE RUNNER and SPACE WAGON with 4G63 engine, GALANT, FROM 2004 MODEL SPACE WAGON with 4G64 engine>



Removal steps

- 1. Water hose
- 2. Water hose
- ▶D▶▶C▶ 3. Engine coolant temperature sensor
- ▶C▶▶ 4. Engine coolant temperature gauge unit
- 5. Water inlet fitting
- 6. Thermostat
- ▶B▶▶A▶▶A▶ 7. Thermostat housing
- ▶A▶▶A▶▶ 8. Water inlet pipe
- ▶A▶▶A▶▶ 9. O-ring
- 10. Water pump
- 11. Water pump gasket

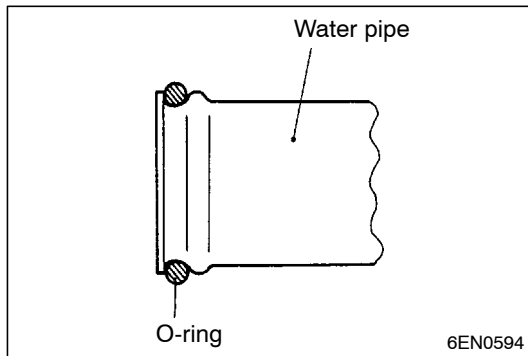
- 12. Oil level gauge
- 13. Oil level gauge guide
- 14. O-ring
- 15. Intake manifold stay
- 16. Intake manifold
- 17. Intake manifold gasket
- 18. Engine hanger
- 19. Detonation sensor
(Except General export and From 2004 model SPACE WAGON with 4G64 engine)

**REMOVAL AND INSTALLATION <MULTIPOINT FUEL INJECTION –
UP TO 2003 MODEL SPACE WAGON with 4G64 engine>**


6EN1693

Removal steps

- | | | | |
|-----|------------------------------------------|-----|----------------------------|
| | 1. Water hose | | 10. O-ring |
| | 2. Water hose | | 11. Water pump |
| | 3. Water hose | | 12. Water pump gasket |
| ▶D◀ | 4. Engine coolant temperature sensor | ▶A◀ | 13. Oil level gauge |
| ▶C◀ | 5. Engine coolant temperature gauge unit | | 14. Oil level gauge guide |
| | 6. Water inlet fitting | | 15. O-ring |
| | 7. Thermostat | | 16. Intake manifold stay |
| ▶B◀ | 8. Thermostat housing | | 17. Intake manifold |
| ▶A◀ | 9. Water inlet pipe | | 18. Intake manifold gasket |
| | | | 19. Engine hanger |



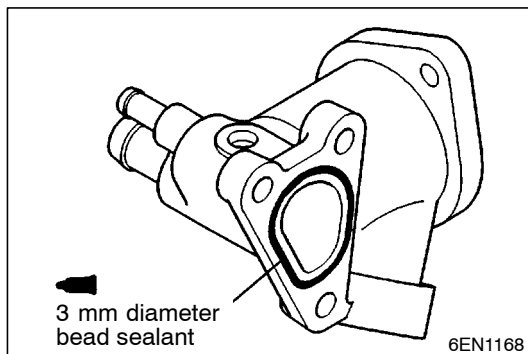
INSTALLATION SERVICE POINTS

▶A◀ WATER PIPE / O-RING INSTALLATION

(1) Wet the O-ring (with water) to facilitate assembly.

Caution

- Keep the O-ring free of oil or grease.



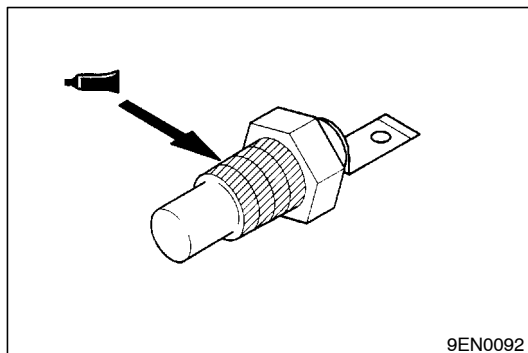
▶B◀ SEALANT APPLICATION TO THERMOSTAT HOUSING

Specified sealant:

Mitsubishi Genuine Part No. MD970389 or equivalent

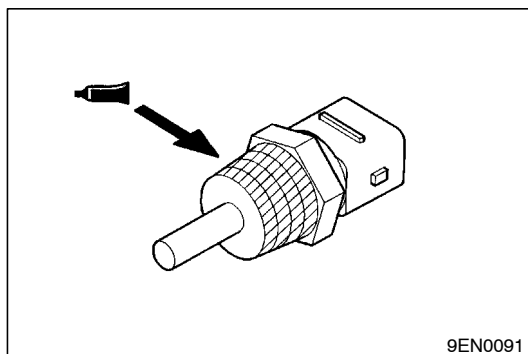
NOTE

- (1) Be sure to install the housing quickly while the sealant is wet (within 15 minutes).
- (2) After installation, keep the sealed area away from the oil and coolant for approx. 1 hour.



▶C◀ SEALANT APPLICATION TO ENGINE COOLANT TEMPERATURE GAUGE UNIT

Specified sealant: 3M ATD Part No. 8660 or equivalent



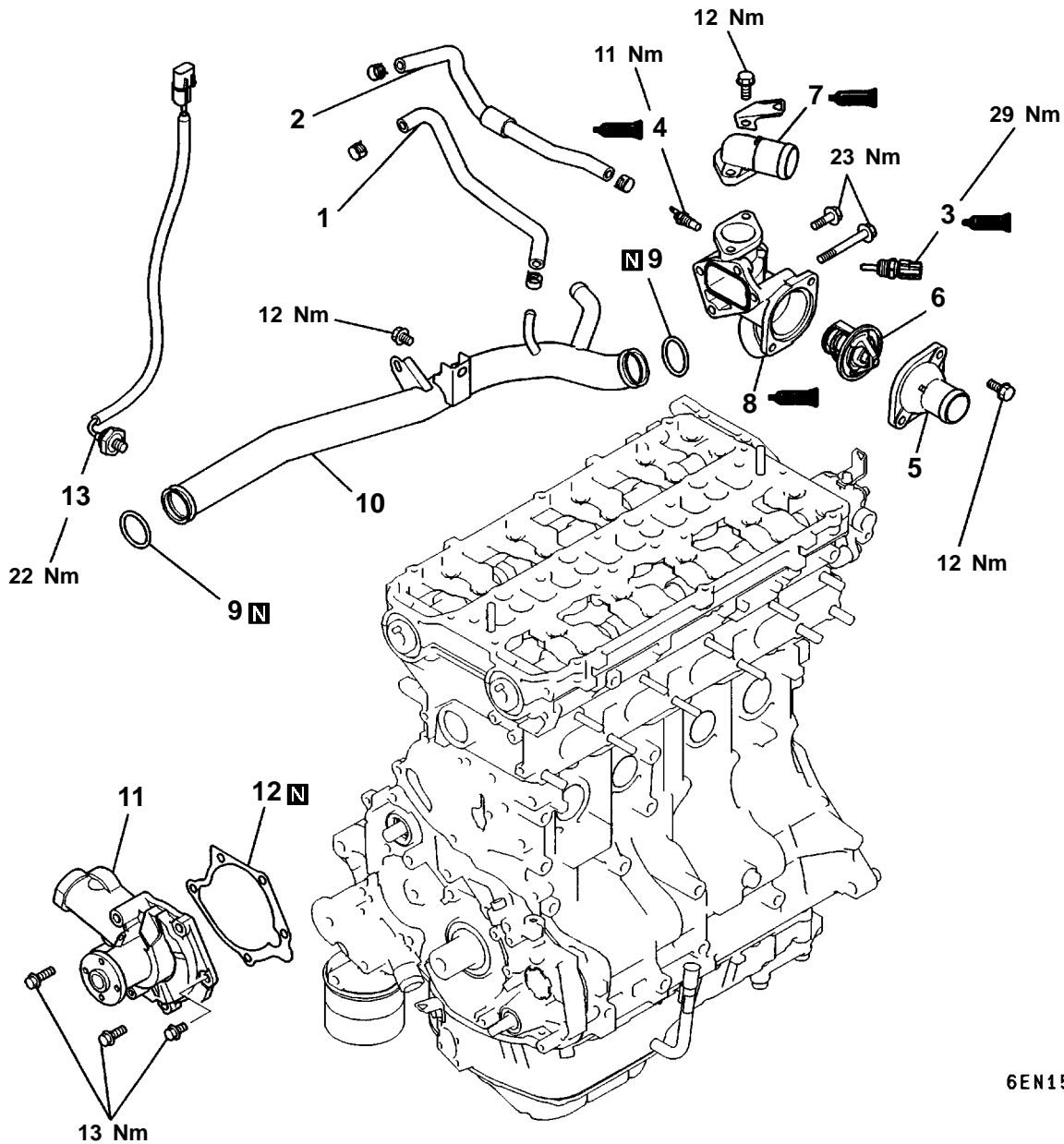
▶D◀ SEALANT APPLICATION TO ENGINE COOLANT TEMPERATURE SENSOR

Specified sealant:

3M Nut Locking Part No. 4171 or equivalent

6a. WATER PUMP AND WATER HOSE (GDI)

REMOVAL AND INSTALLATION



6EN1593

Removal steps

- ▶E◀ 1. Water hose
- ▶E◀ 2. Water hose
- ▶D◀ 3. Engine coolant temperature sensor
- ▶D◀ 4. Engine coolant temperature gauge unit
- 5. Water inlet fitting
- 6. Thermostat

- ▶C◀ 7. Water outlet fitting
- ▶B◀ 8. Thermostat housing
- ▶A◀ 9. O-ring
- ▶A◀ 10. Water inlet pipe
- 11. Water pump
- 12. Gasket
- 13. Knock sensor

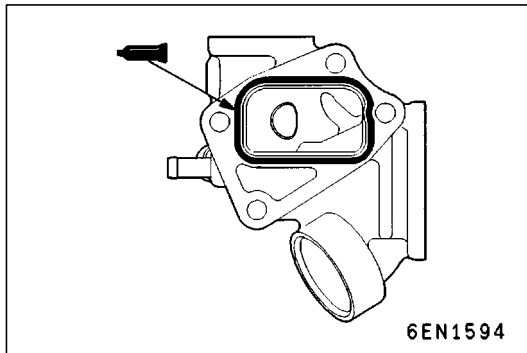
INSTALLATION SERVICE POINTS

▶A◀ O-RING / WATER INLET PIPE INSTALLATION

- (1) Replace the O-ring of the water inlet pipe, and then apply water to the O-ring to make installation easy.

Caution

- Never apply any oil or grease to the O-ring.
- Secure the water pipe after the thermostat case has been reinstalled.

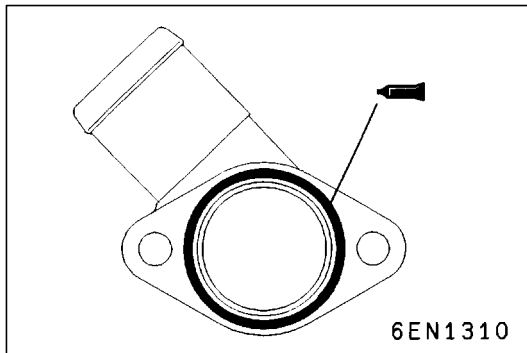


▶B◀ THERMOSTAT CASE INSTALLATION

- (1) Apply 3 mm diameter of Form-In-Place Gasket (FIPG) to the location shown in the illustration.

Specified sealant:

Mitsubishi Genuine Part No. MD970389 or equivalent

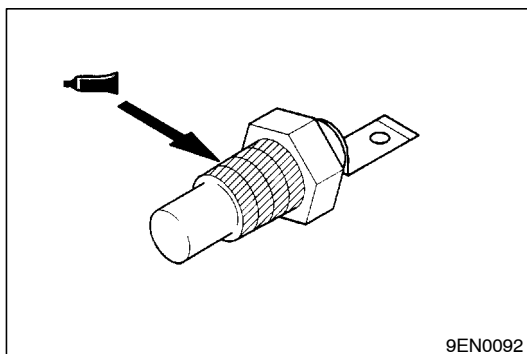


▶C◀ WATER OUTLET FITTING INSTALLATION

- (1) Apply 3 mm diameter of Form-In-Place Gasket (FIPG) to the location shown in the illustration.

Specified sealant:

Mitsubishi Genuine Part No. MD970389 or equivalent

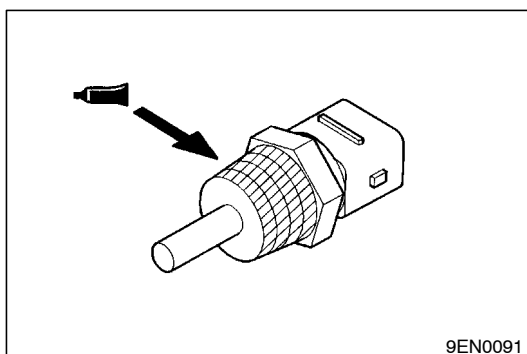


▶D◀ ENGINE COOLANT TEMPERATURE GAUGE UNIT INSTALLATION

- (1) Apply the specified sealant to the threads.

Specified sealant:

3M ATD Part No. 8660 or equivalent



▶E◀ ENGINE COOLANT TEMPERATURE SENSOR INSTALLATION

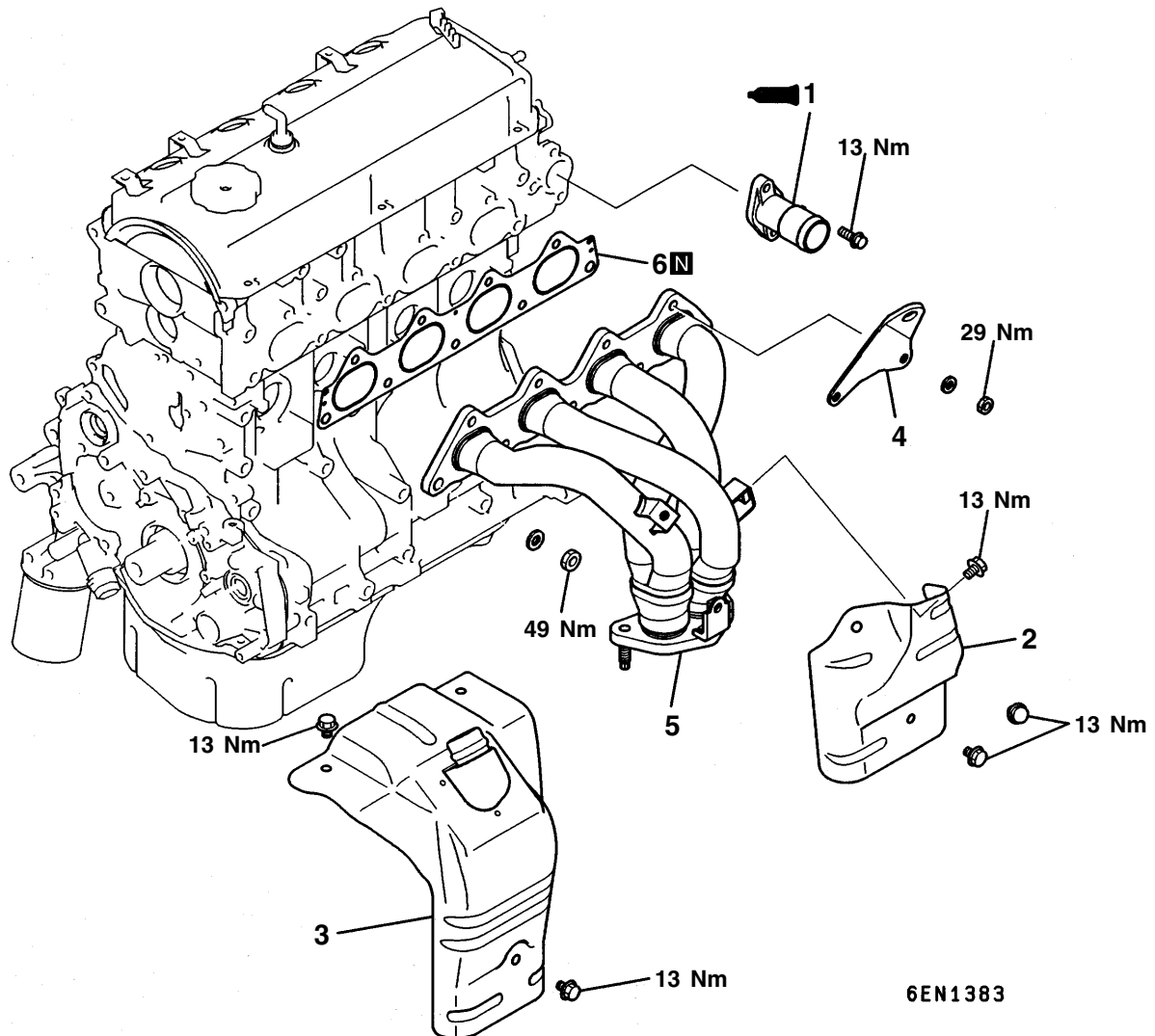
- (1) When reusing the sensor, apply the specified sealant to the threads.

Specified sealant:

3M Nut Locking Part No. 4171 or equivalent

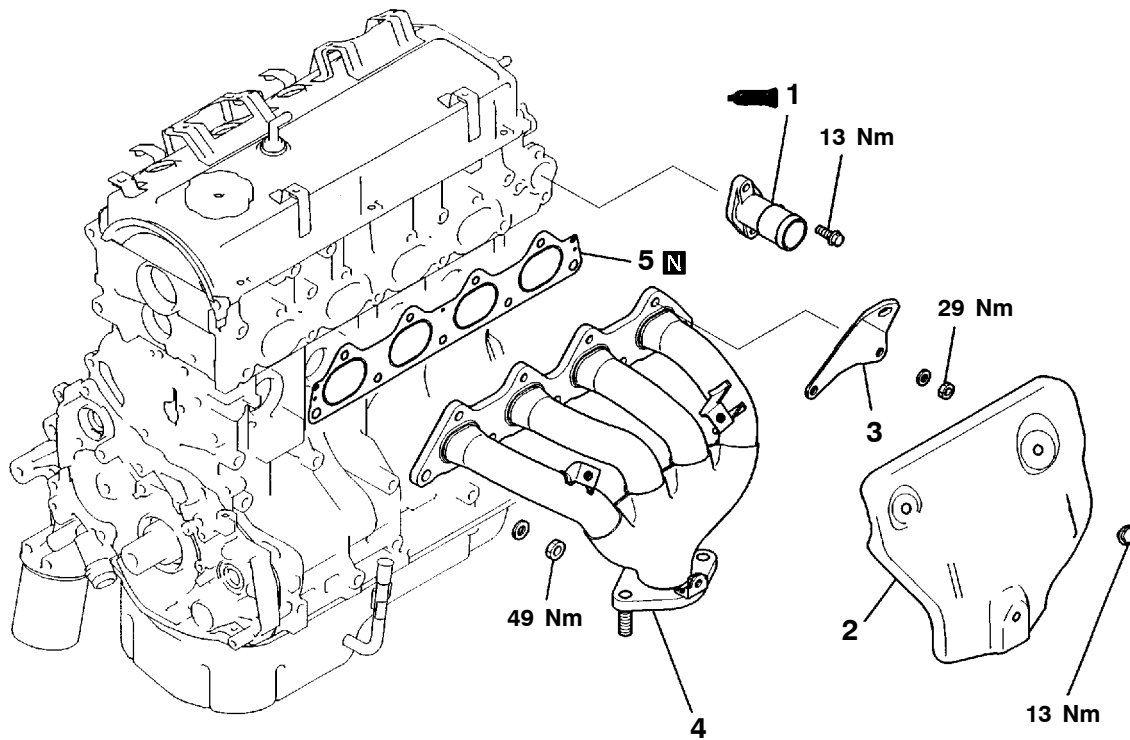
7. EXHAUST MANIFOLD

REMOVAL AND INSTALLATION (UP TO 2000 MODEL GALANT for Europe, FROM 1997 MODEL GALANT for General Export, FROM 2004 MODEL SPACE WAGON)



Removal steps

- ▶◀
1. Water outlet fitting
 2. Heat protector
(Multipoint fuel injection)
 3. Exhaust manifold cover
(Carburetor)
 4. Engine hanger
 5. Exhaust manifold
 6. Exhaust manifold gasket

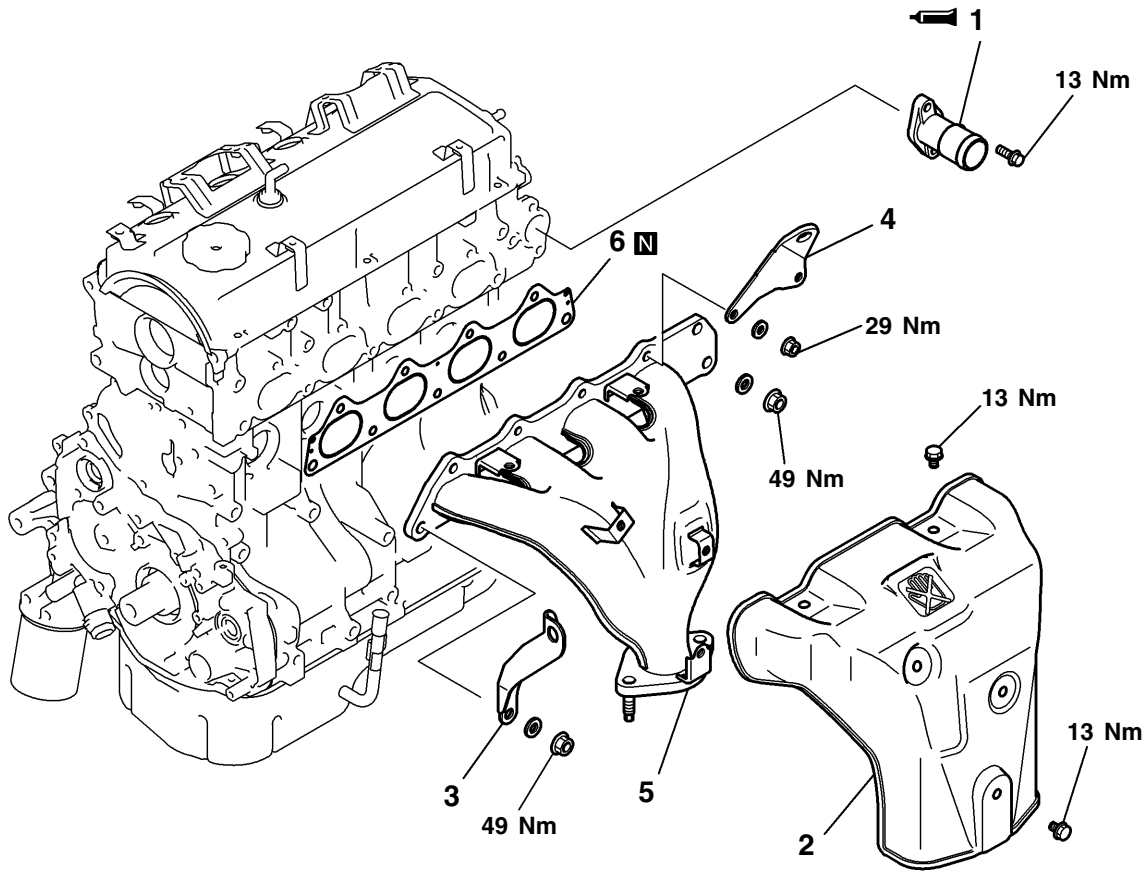
REMOVAL AND INSTALLATION (UP TO 2000 MODEL SPACE RUNNER, UP TO 2000 MODEL SPACE WAGON)


6EN1694

Removal steps

- ▶◀
1. Water outlet fitting
 2. Exhaust manifold cover
 3. Engine hanger
 4. Exhaust manifold
 5. Exhaust manifold gasket

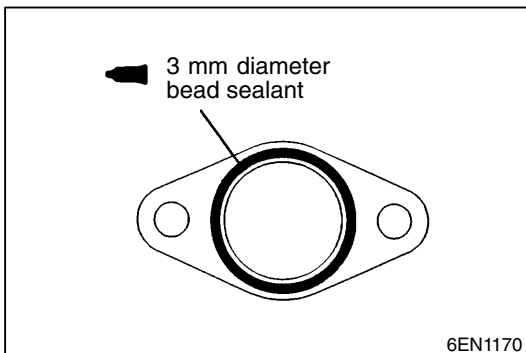
REMOVAL AND INSTALLATION (FROM 2001 MODEL SPACE RUNNER, FROM 2001 TO 2003 MODEL SPACE WAGON, FROM 2001 MODEL GALANT for Europe)



6EN2245

Removal steps

- ▶◀ 1. Water outlet fitting
- 2. Exhaust manifold cover
- 3. Engine hanger (For GDI)
- 4. Engine hanger (For SOHC)
- 5. Exhaust manifold
- 6. Exhaust manifold gasket



6EN1170

INSTALLATION SERVICE POINTS

▶◀ **SEALANT APPLICATION TO WATER OUTLET FITTING**

Specified sealant:


Mitsubishi Genuine Part No. MD970389 or equivalent

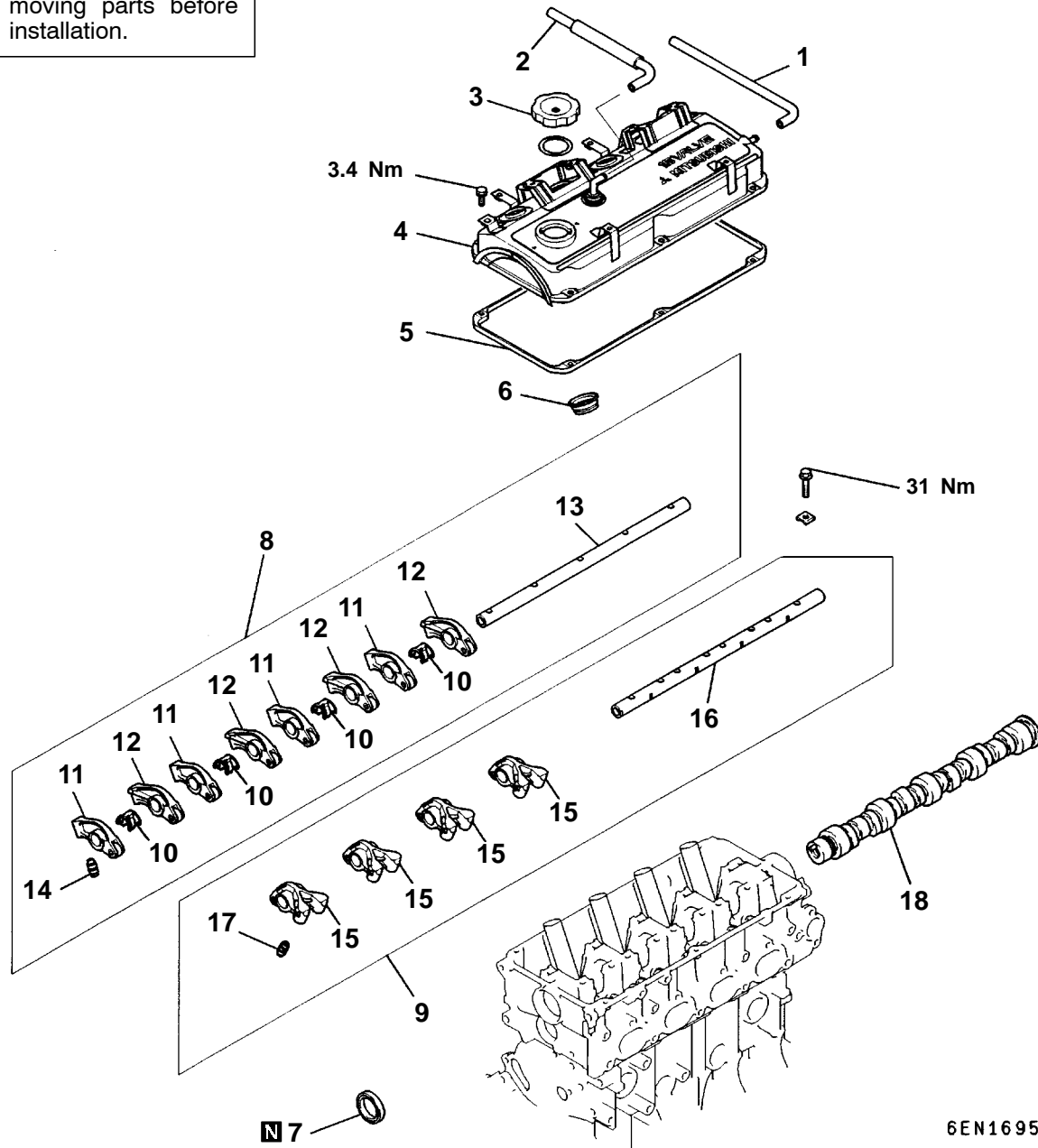
NOTE

- (1) Be sure to install the water outlet fitting quickly while the sealant is wet (within 15 minutes).
- (2) After installation, keep the sealed area away from the oil and coolant for approx. 1 hour.

8. ROCKER ARMS AND CAMSHAFT

REMOVAL AND INSTALLATION

 Apply engine oil to all moving parts before installation.



6EN1695

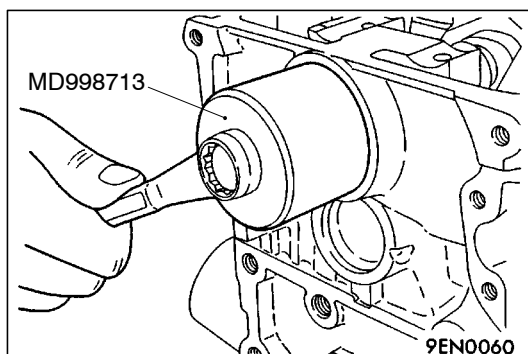
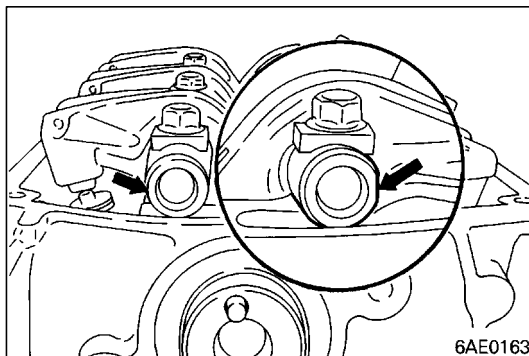
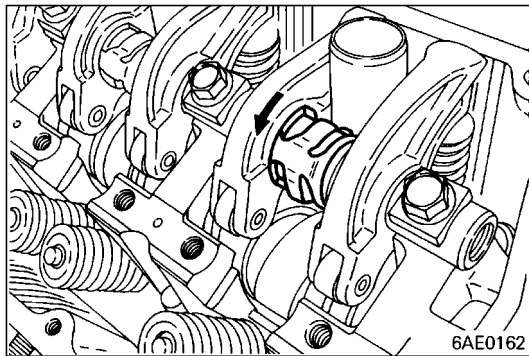
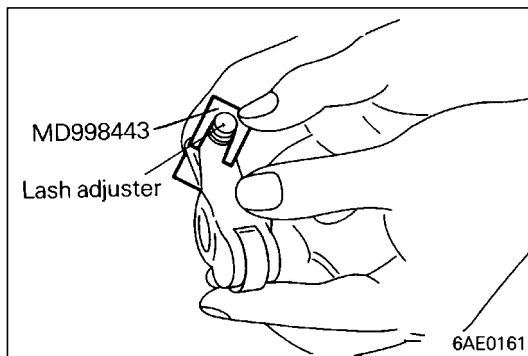
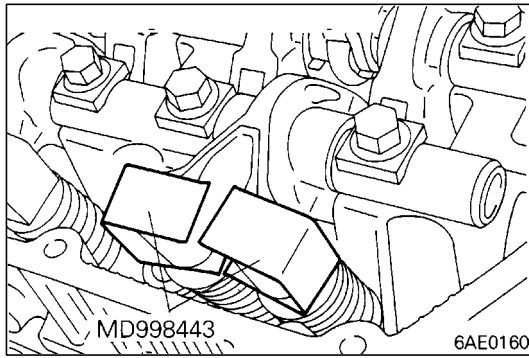
Removal steps

1. Breather hose
2. P.C.V. hose
3. Oil filler cap
4. Rocker cover
5. Rocker cover gasket
6. Oil seal
7. Oil seal

- ▶B◀ 10. Rocker shaft spring
11. Rocker arm A
12. Rocker arm B
- ▶A◀ 13. Rocker arm shaft (Intake side)
- ▶A◀ 14. Lash adjuster
15. Rocker arm C
- ▶A◀ 16. Rocker arm shaft (Exhaust side)
- ▶A◀ 17. Lash adjuster
18. Camshaft



8. Rocker arms and rocker arm shaft
9. Rocker arms and rocker arm shaft



REMOVAL SERVICE POINT

◀A▶ ROCKER ARMS AND ROCKER ARM SHAFTS REMOVAL

Caution

- If the lash adjuster is re-used, clean the lash adjuster. (Refer to 11A-8-3.)

- (1) Set special tool MD998443 to prevent the lash adjuster from coming free and falling to the floor.

INSTALLATION SERVICE POINTS

▶A◀ LASH ADJUSTER INSTALLATION

- (1) Insert the lash adjuster to rocker arm, being careful not to spill the diesel fuel. Then use the special tool to prevent adjuster from falling while installing it.

Caution

- If the lash adjuster is re-used, clean the lash adjuster. (Refer to 11A-8-3.)

▶B◀ ROCKER SHAFT SPRING / ROCKER ARMS AND ROCKER ARM SHAFT INSTALLATION

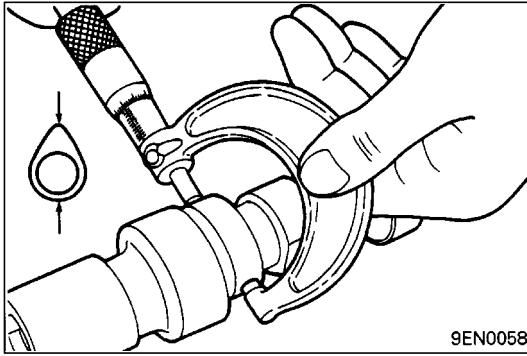
- (1) Temporarily tighten the rocker shaft with the bolt so that all rocker arms on the inlet valve side do not push the valves.
- (2) Fit the rocker shaft spring from the above and position it so that it is right angles to the plug guide.

NOTE

Install the rocker shaft spring before installing the exhaust side rocker arms and rocker arm shaft.

- (3) Remove the special tool for securing the lash adjuster.
- (4) Make sure that the notch in the rocker arm shaft is in the direction as illustrated.

▶C◀ CAMSHAFT OIL SEAL INSTALLATION

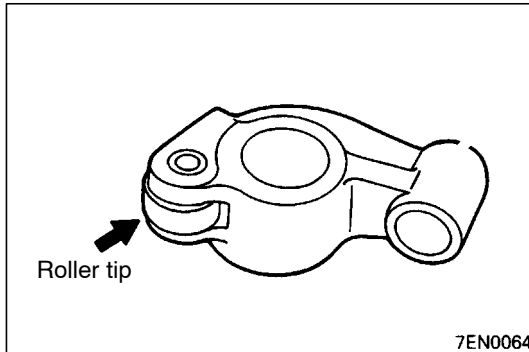


INSPECTION

CAMSHAFT

- (1) Measure the cam height.

Item		Standard value mm	Limit mm
GALANT	Intake	37.39	36.89
	Exhaust	37.14	36.64
SPACE WAGON	Intake	37.39	36.89
	Exhaust	36.83	36.33



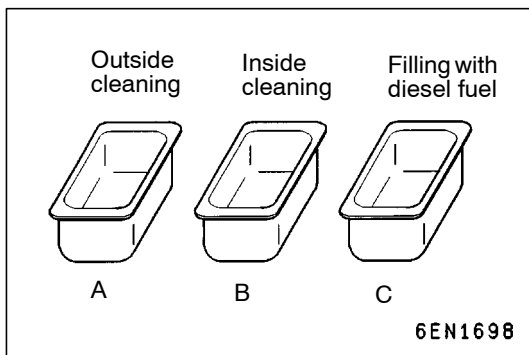
ROCKER ARM

- (1) Check the roller surface. If any dents, damage or seizure is evident, replace the rocker arm.
- (2) Check rotation of the roller. If it does not rotate smoothly or if looseness is evident, replace the rocker arm.
- (3) Check the inside diameter. If damage or seizure is evident, replace the rocker arm.

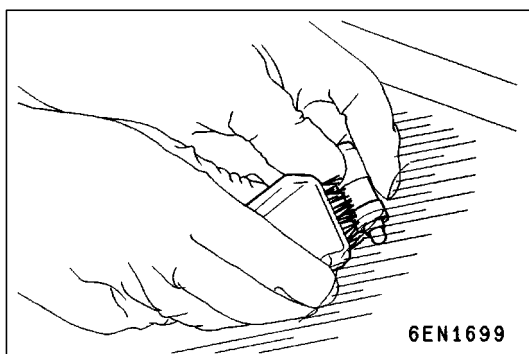
LASH ADJUSTERS

Caution

- The lash adjusters are precision-engineered mechanisms. Do not allow them to become contaminated by dirt or other foreign substances.
- Do not attempt to disassemble the lash adjusters.
- Use only fresh diesel fuel to clean the lash adjusters.



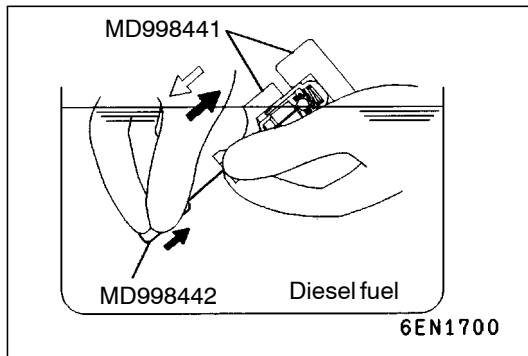
- (1) Prepare three containers and approximately five liters of diesel fuel. Into each container, pour enough diesel fuel to completely cover a lash adjuster when it is standing upright. Then, perform the following steps with each lash adjuster.



- (2) Place the lash adjuster in container A and clean its outside surface.

NOTE

Use a nylon brush if deposits are hard to remove.



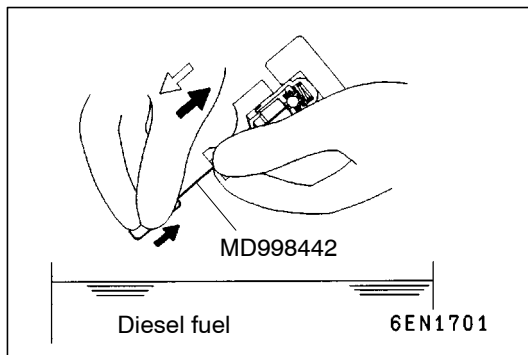
- (3) Fit special tool MD998441 onto the lash adjuster.
- (4) While gently pushing down the internal steel ball using special tool MD998442, move the plunger through 5 to 10 strokes until it slides smoothly. In addition to eliminating stiffness in the plunger, this operation will remove dirty oil.

Caution

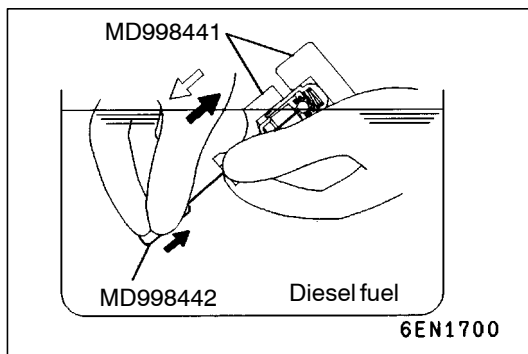
- The steel ball spring is extremely weak, so the lash adjuster's functionality may be lost if the air bleed wire is pushed in hard.

NOTE

If the plunger remains stiff or the mechanism appears otherwise abnormal, replace the lash adjuster.



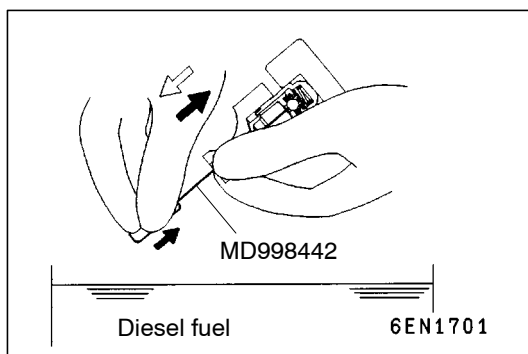
- (5) Remove the lash adjuster from the container. Then, push down the steel ball gently and push the plunger to eliminate diesel fuel from the pressure chamber.



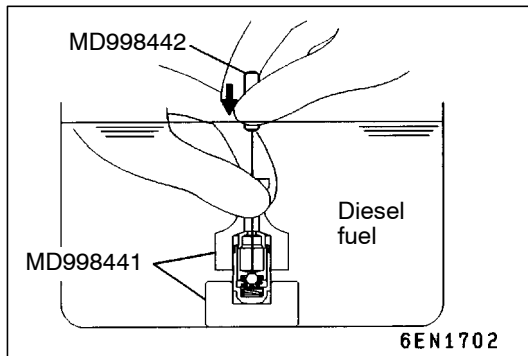
- (6) Fit special tool MD998441 onto the lash adjuster.
- (7) Place the lash adjuster in container B. Then, gently push down the internal steel ball using special tool MD998442 and move the plunger through 5 to 10 strokes until it slides smoothly. This operation will clean the lash adjuster's pressure chamber.

Caution

- The steel ball spring is extremely weak, so the lash adjuster's functionality may be lost if the air bleed wire is pushed in hard.



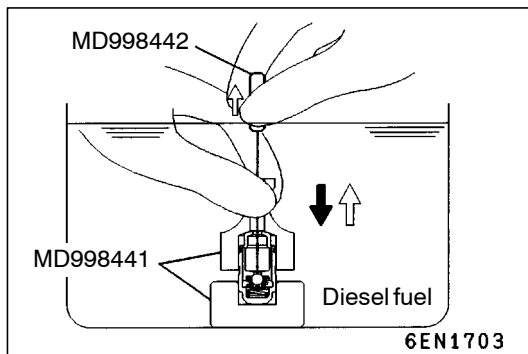
- (8) Remove the lash adjuster from the container. Then, push down the steel ball gently and push the plunger to eliminate diesel fuel from the pressure chamber.



- (9) Place the lash adjuster in container C. Then, gently push down the internal steel ball using special tool MD998442.

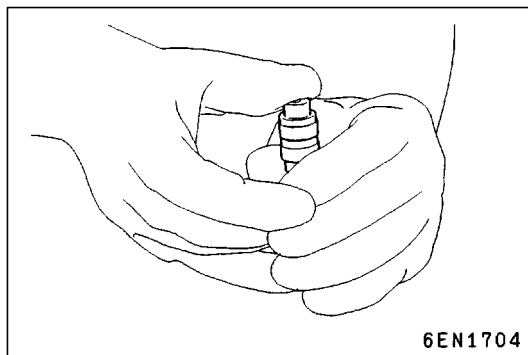
Caution

- Do not use container C for cleaning. If cleaning is performed in container C, foreign matter could enter the pressure chamber when the chamber is filled with diesel fuel.



- (10) Stand the lash adjuster with its plunger at the top, then push the plunger downward firmly until it moves through its greatest possible stroke. Return the plunger slowly, then release the steel ball and allow the pressure chamber to fill diesel fuel.

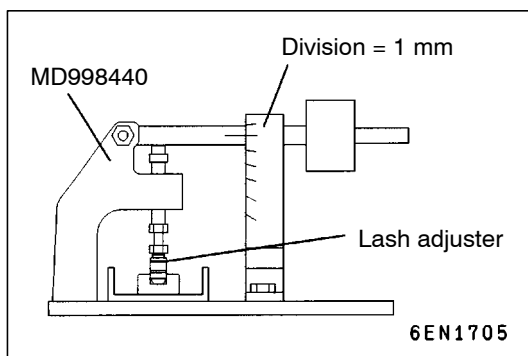
- (11) Remove special tool MD998441.



- (12) Remove the lash adjuster from the container, then stand the lash adjuster with its plunger at the top. Push the plunger firmly and check that it does not move. Also, check that the lash adjuster's height matches that of a new lash adjuster.

NOTE

If lash adjuster contracts, perform the operations (9) through (12) again to fill it with diesel fuel completely. Replace the lash adjuster if it still contracts after performing these steps.



- (13) Set the lash adjuster on the special tool MD998440 (leak down tester).

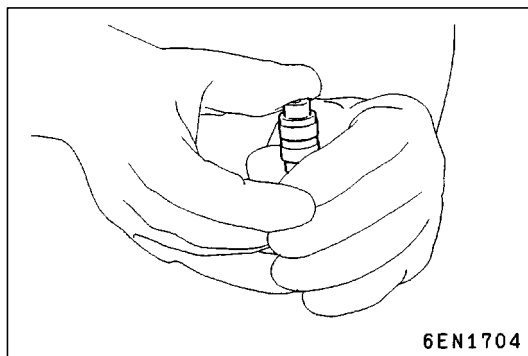
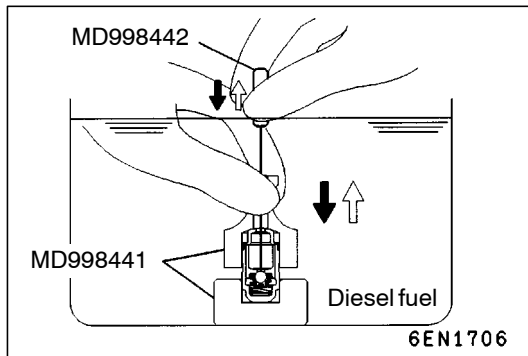
- (14) After the plunger has moved downward slightly (0.2 to 0.5 mm), measure the time taken for it to move downward by a further 1 mm.

Standard value:

3 - 20 seconds/1 mm [with diesel fuel at 15 - 20°C (59 - 68°F)]

NOTE

Replace the lash adjuster if the time measurement is out of specification.



- (15) Fit special tool MD998441 onto the lash adjuster.
- (16) Place the lash adjuster in container C again, then gently push down the internal steel ball using special tool MD998442.
- (17) Stand the lash adjuster with its plunger at the top, then push the plunger downward firmly until it moves through its greatest possible stroke. Return the plunger slowly, then release the steel ball and allow the pressure chamber to fill with diesel fuel.
- (18) Remove special tool MD998441.

- (19) Remove the lash adjuster from the container, then stand the lash adjuster with its plunger at the top. Push the plunger firmly and check that it does not move. Also, check that the lash adjuster's height matches that of a new lash adjuster.

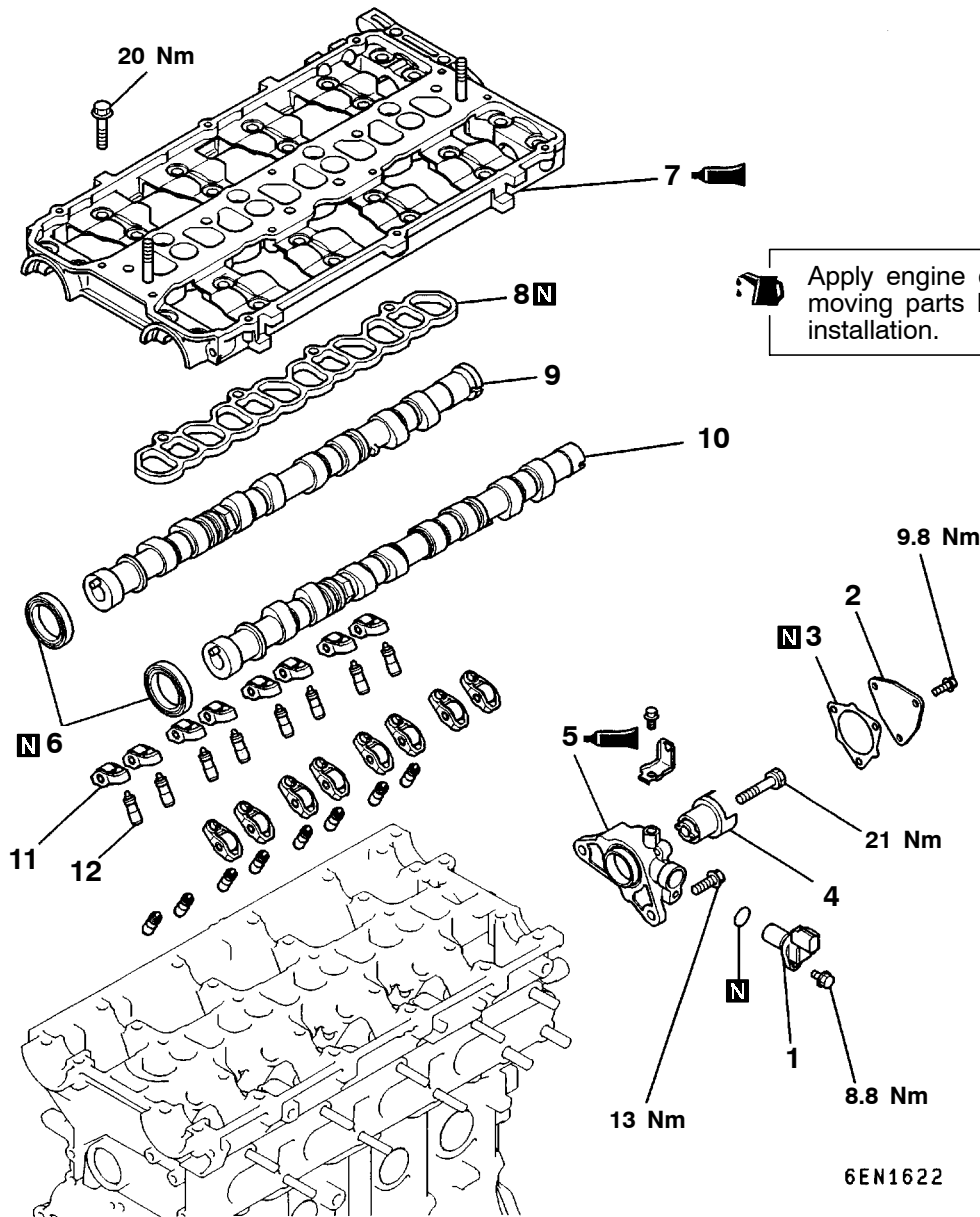
NOTE

If lash adjuster contracts, perform the operations (15) through (19) again to fill it with diesel fuel completely. Replace the lash adjuster if it still contracts after performing these steps.

- (20) Stand the lash adjuster upright to prevent diesel fuel spilling out. Do not allow the lash adjuster to become contaminated by dirt or other foreign matter. Fit the lash adjuster onto the engine as soon as possible.

8a. ROCKER ARMS AND CAMSHAFTS (GDI)

REMOVAL AND INSTALLATION (UP TO 2000 MODEL SPACE RUNNER, UP TO 2000 MODEL SPACE WAGON, GALANT)

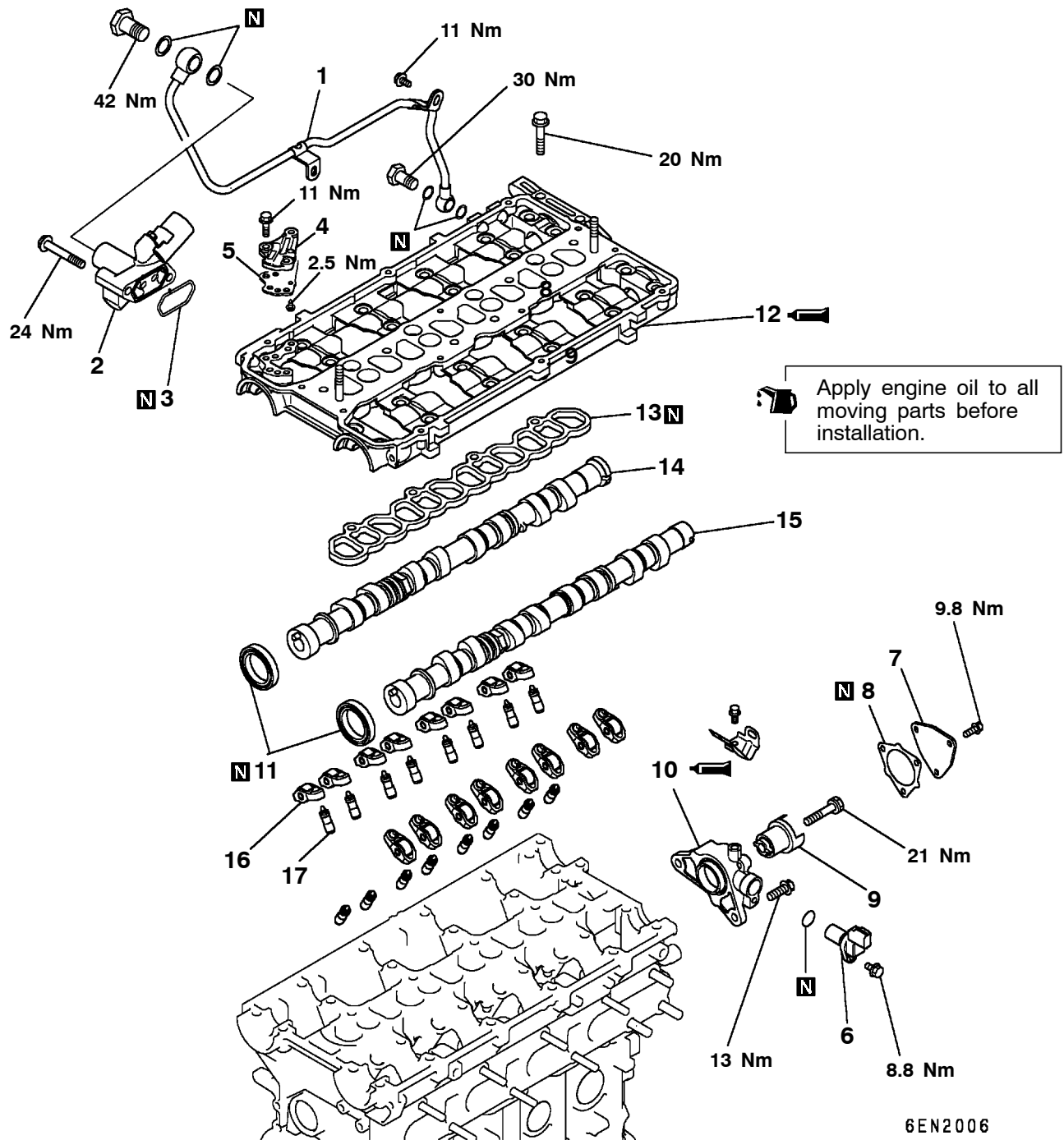


Apply engine oil to all moving parts before installation.

Removal steps

- | | | | |
|-----|---------------------------------------|-----|-----------------------------|
| ▶D◀ | 1. Camshaft position sensor | ▶B◀ | 7. Beam camshaft cap |
| ▶C◀ | 2. Cover | ▶B◀ | 8. Beam camshaft cap gasket |
| ▶B◀ | 3. Gasket | ▶B◀ | 9. Intake camshaft |
| | 4. Camshaft position sensing cylinder | ▶B◀ | 10. Exhaust camshaft |
| | 5. Camshaft position sensor support | | 11. Rocker arm |
| | 6. Oil seal | ◀A▶ | ▶A◀ 12. Lash adjuster |

REMOVAL AND INSTALLATION (FROM 2001 MODEL SPACE RUNNER, FROM 2001 MODEL SPACE WAGON)



Removal steps

- | | | |
|-------------------------------------------|-----|--------------------------------------|
| 1. Oil pipe | ▶C◀ | 10. Camshaft position sensor support |
| 2. Oil control valve | ▶B◀ | 11. Oil seal |
| 3. Gasket | ▶B◀ | 12. Beam camshaft cap |
| 4. Oil delivery body | ▶B◀ | 13. Beam camshaft cap gasket |
| 5. Oil delivery plate | ▶B◀ | 14. Intake camshaft |
| 6. Camshaft position sensor | ▶B◀ | 15. Exhaust camshaft |
| 7. Cover | ▶A◀ | 16. Rocker arm |
| 8. Gasket | ▶A◀ | 17. Lash adjuster |
| ▶D◀ 9. Camshaft position sensing cylinder | | |

Intentionally blank

REMOVAL SERVICE POINTS

◀A▶ LASH ADJUSTER REMOVAL

Caution

- If the lash adjuster is re-used, clean the lash adjuster. (Refer to 11A-8a-4.)

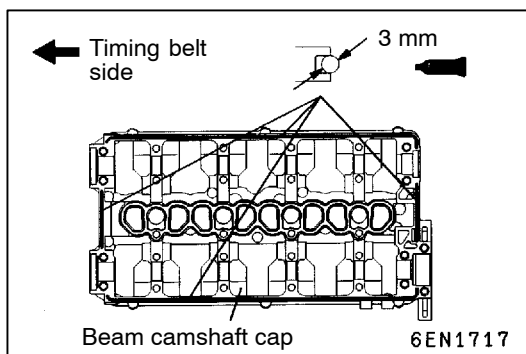
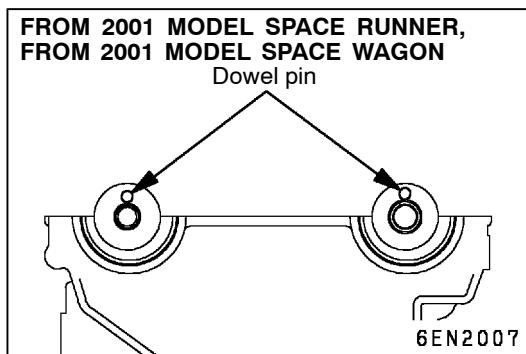
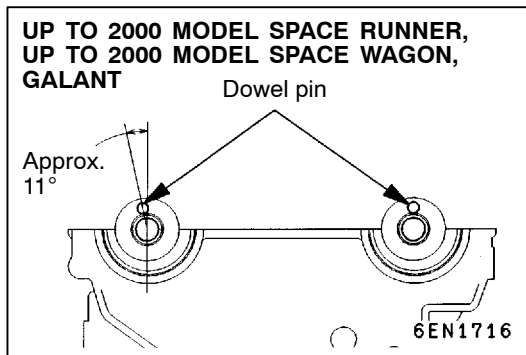
INSTALLATION SERVICE POINTS

▶A◀ LASH ADJUSTER INSTALLATION

Caution

- If the lash adjuster is re-used, clean the lash adjuster. (Refer to 11A-8a-4.)

- (1) Fit the lash adjuster onto the rocker arm without allowing diesel fuel to spill out.



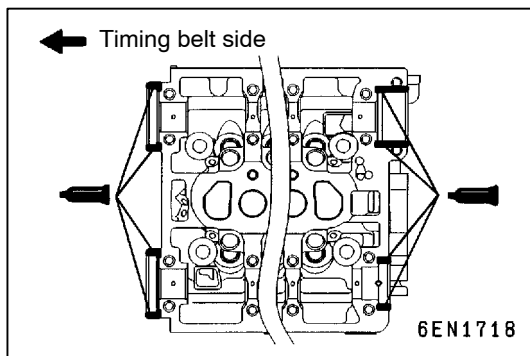
▶B◀ BEAM CAMSHAFT CAP GASKET / BEAM CAMSHAFT CAP / CAMSHAFT / OIL SEAL INSTALLATION

- (1) Locate the camshaft dowel pins as illustrated.

- (2) Apply a 3 mm thick continuous bead of sealant to the bottom surface of the beam camshaft cap along the groove.

Specified sealant:

Mitsubishi genuine Part No. MD970389 or equivalent

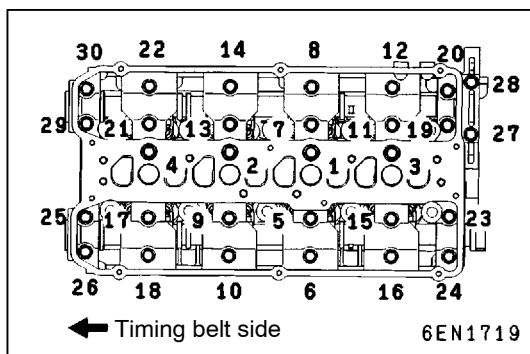


- (3) Apply sealant to the illustrated position of the cylinder head upper surface.

Specified sealant:

Mitsubishi genuine Part No. MD970389 or equivalent

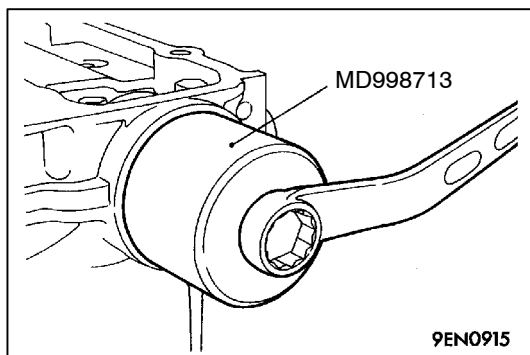
- (4) Install the beam camshaft cap gasket.



- (5) Install the beam camshaft cap before the sealant applied becomes dry and hard.

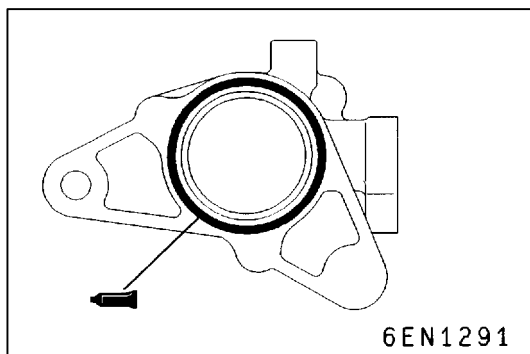
- (6) Tighten the bolts to the specified torque in the order shown in the illustration.

Specified torque: 20 Nm



- (7) Install the camshaft oil seal before the sealant applied becomes dry and hard.

- (8) Wipe off squeezed out excess sealant from the circumference of the beam camshaft cap.

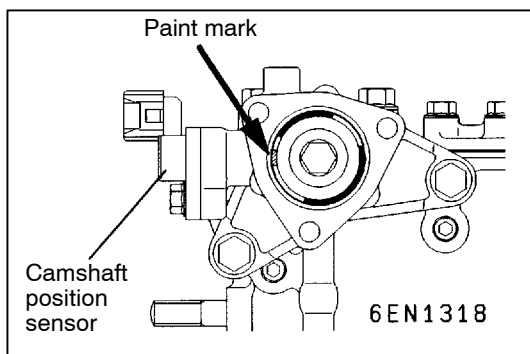


▶◀ CAMSHAFT POSITION SENSING CYLINDER SUPPORT INSTALLATION

- (1) Apply a 3 mm bead of form-in-place gasket (FIPG) to the area shown.

Specified sealant:

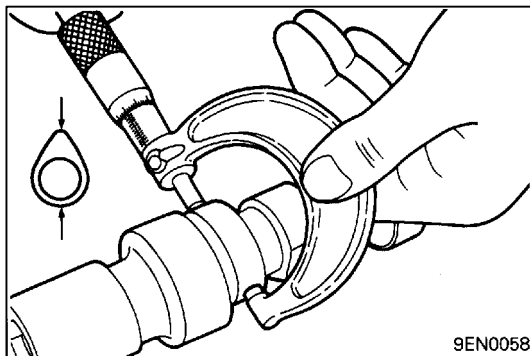
Mitsubishi genuine Part No. MD970389 or equivalent



▶◀ CAMSHAFT POSITION SENSING CYLINDER INSTALLATION

- (1) Set the No. 1 cylinder to the compression top dead center position (so that dowel pin of the exhaust camshaft is at the top).

- (2) Install the camshaft position sensing cylinder so that the white paint mark is facing in the direction shown in the illustration.



INSPECTION

CAMSHAFT

- (1) Measure the cam height.

Standard value:

Intake	35.79 mm
Exhaust	35.49 mm

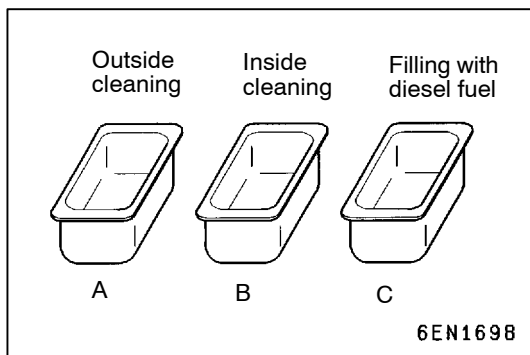
Limit:

Intake	35.29 mm
Exhaust	34.99 mm

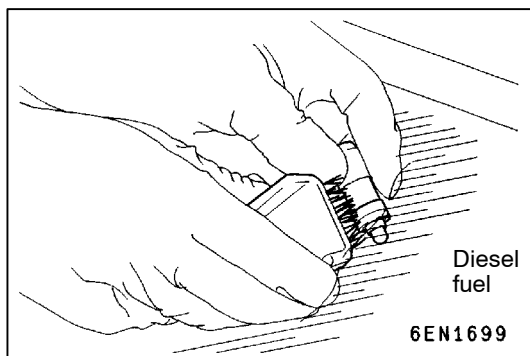
LASH ADJUSTER

Caution

- The lash adjusters are precision-engineered mechanisms. Do not allow them to become contaminated by dirt or other foreign substances.
- Do not attempt to disassemble the lash adjusters.
- Use only fresh diesel fuel to clean the lash adjusters.



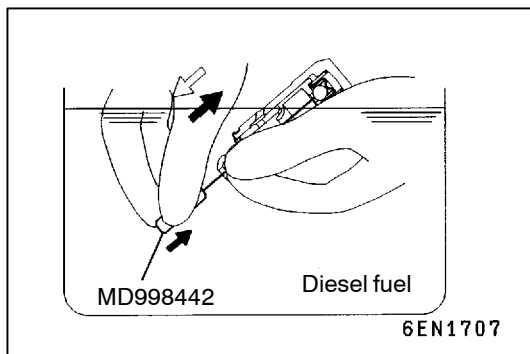
- (1) Prepare three containers and approximately five liters of diesel fuel. Into each container, pour enough diesel fuel to completely cover a lash adjuster when it is standing upright. Then, perform the following steps with each lash adjuster.



- (2) Place the lash adjuster in container A and clean its outside surface.

NOTE

Use a nylon brush if deposits are hard to remove.



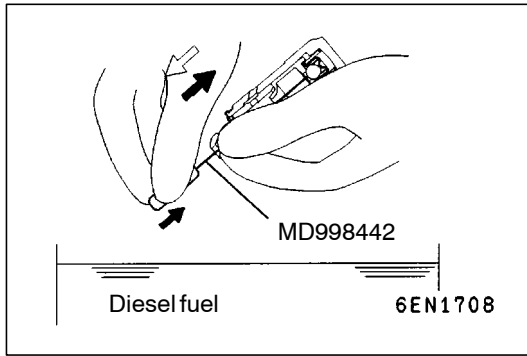
- (3) While gently pushing down the internal steel ball using special tool MD998442, move the plunger through 5 to 10 strokes until it slides smoothly. In addition to eliminating stiffness in the plunger, this operation will remove dirty oil.

Caution

- The steel ball spring is extremely weak, so the lash adjuster's functionality may be lost if the air bleed wire is pushed in hard.

NOTE

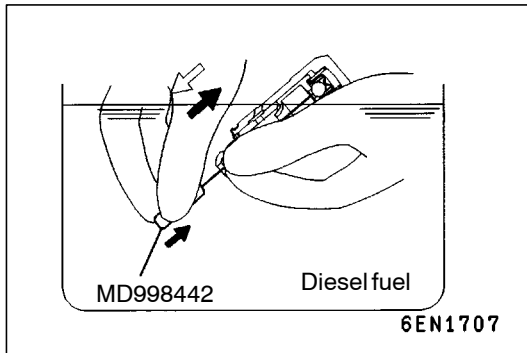
If the plunger remains stiff or the mechanism appears otherwise abnormal, replace the lash adjuster.



- (4) Remove the lash adjuster from the container. Then, push down the steel ball gently and push the plunger to eliminate diesel fuel from the pressure chamber.

Caution

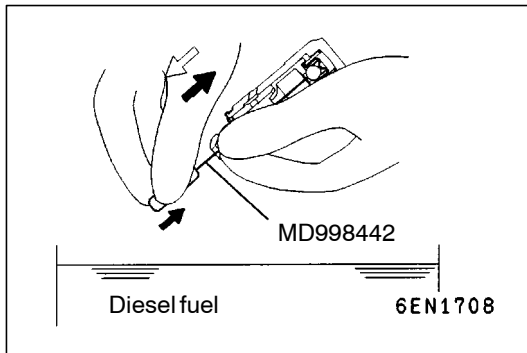
- Make sure the oil hole in the side of the body is pointing toward container A. Do not point the oil hole at yourself or other people.



- (5) Place the lash adjuster in container B. Then, gently push down the internal steel ball using special tool MD998442 and move the plunger through 5 to 10 strokes until it slides smoothly. This operation will clean the lash adjuster's pressure chamber.

Caution

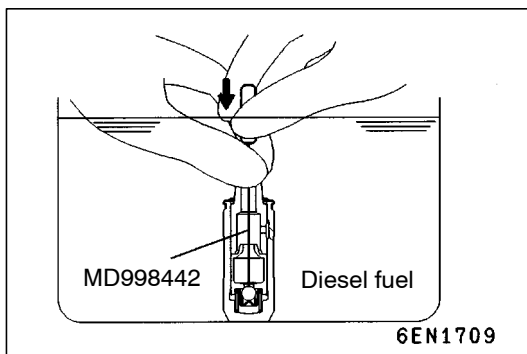
- The steel ball spring is extremely weak, so the lash adjuster's functionality may be lost if the air bleed wire is pushed in hard.



- (6) Remove the lash adjuster from the container. Then, push down the steel ball gently and push the plunger to eliminate diesel fuel from the pressure chamber.

Caution

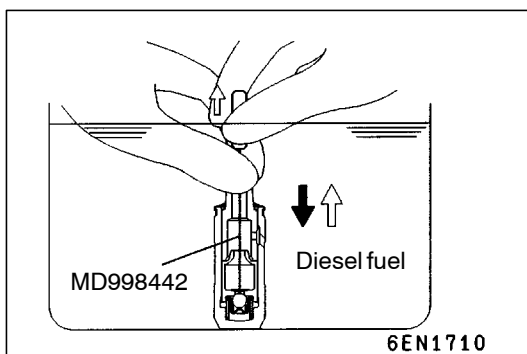
- Make sure the oil hole in the side of the body is pointing toward container A. Do not point the oil hole at yourself or other people.



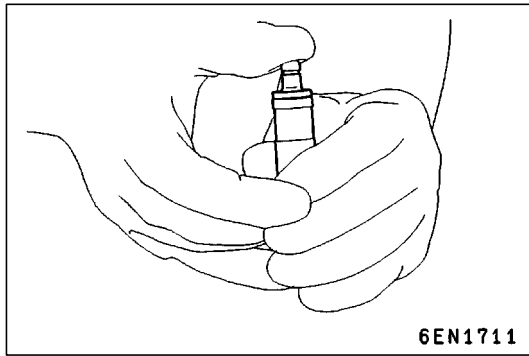
- (7) Place the lash adjuster in container C. Then, gently push down the internal steel ball using special tool MD998442.

Caution

- Do not use container C for cleaning. If cleaning is performed in container C, foreign matter could enter the pressure chamber when chamber is filled with diesel fuel.



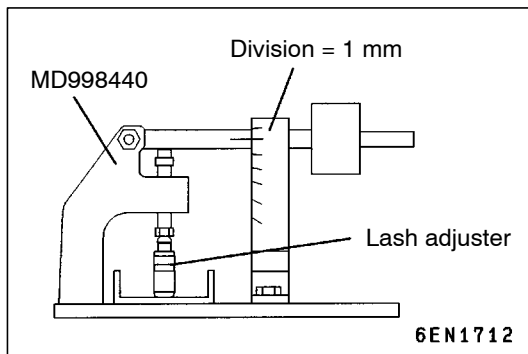
- (8) Stand the lash adjuster with its plunger at the top, then push the plunger downward firmly until it moves through its greatest possible stroke. Return the plunger slowly, then release the steel ball and allow the pressure chamber to fill with diesel fuel.



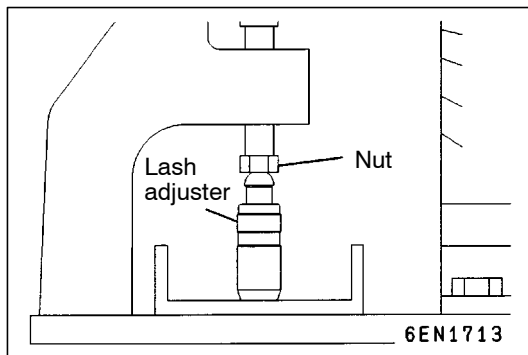
- (9) Remove the lash adjuster from the container, then stand the lash adjuster with its plunger at the top. Push the plunger firmly and check that it does not move. Also, check that the lash adjuster's height matches that of a new lash adjuster.

NOTE

If lash adjuster contracts, perform the operations (7) through (9) again to fill it with diesel fuel completely. Replace the lash adjuster if it still contracts after performing these steps.



- (10) Set the lash adjuster on the special tool MD998440 (leak down tester).



- (11) Remove the bolt from the tester, then adjust the height as illustrated.

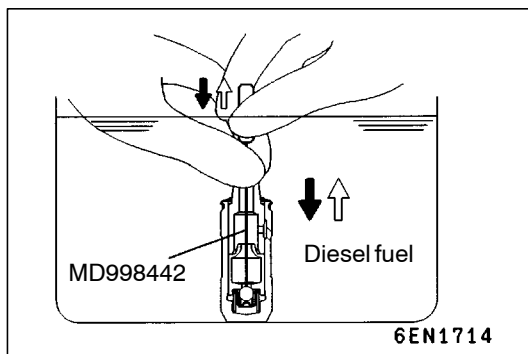
- (12) After the plunger has moved downward slightly measure the time taken for it to move downward by a further 1 mm.

Standard value:

3 - 20 second/1 mm [with diesel fuel at 15 - 20°C (59 - 68°F)]

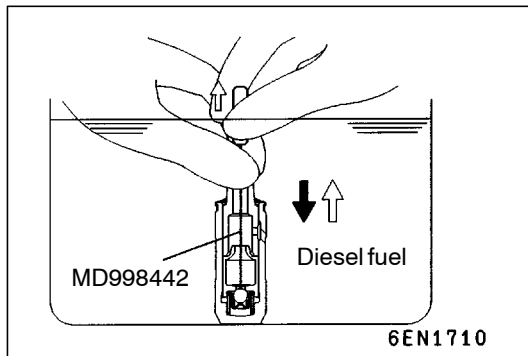
NOTE

Replace the lash adjuster if the time measurement is out of specification.



- (13) Place the lash adjuster in container C again, then gently push down the internal steel ball using special tool MD998442.

- (14) Stand the lash adjuster with its plunger at the top, then push the plunger downward firmly until it moves through its greatest possible stroke. Return the plunger slowly, then release the steel ball and allow the pressure chamber to fill with diesel fuel.



- (15) Remove the lash adjuster from the container, then stand the lash adjuster with its plunger at the top. Push the plunger firmly and check that it does not move. Also, check the lash adjuster's height matches that of a new lash adjuster.

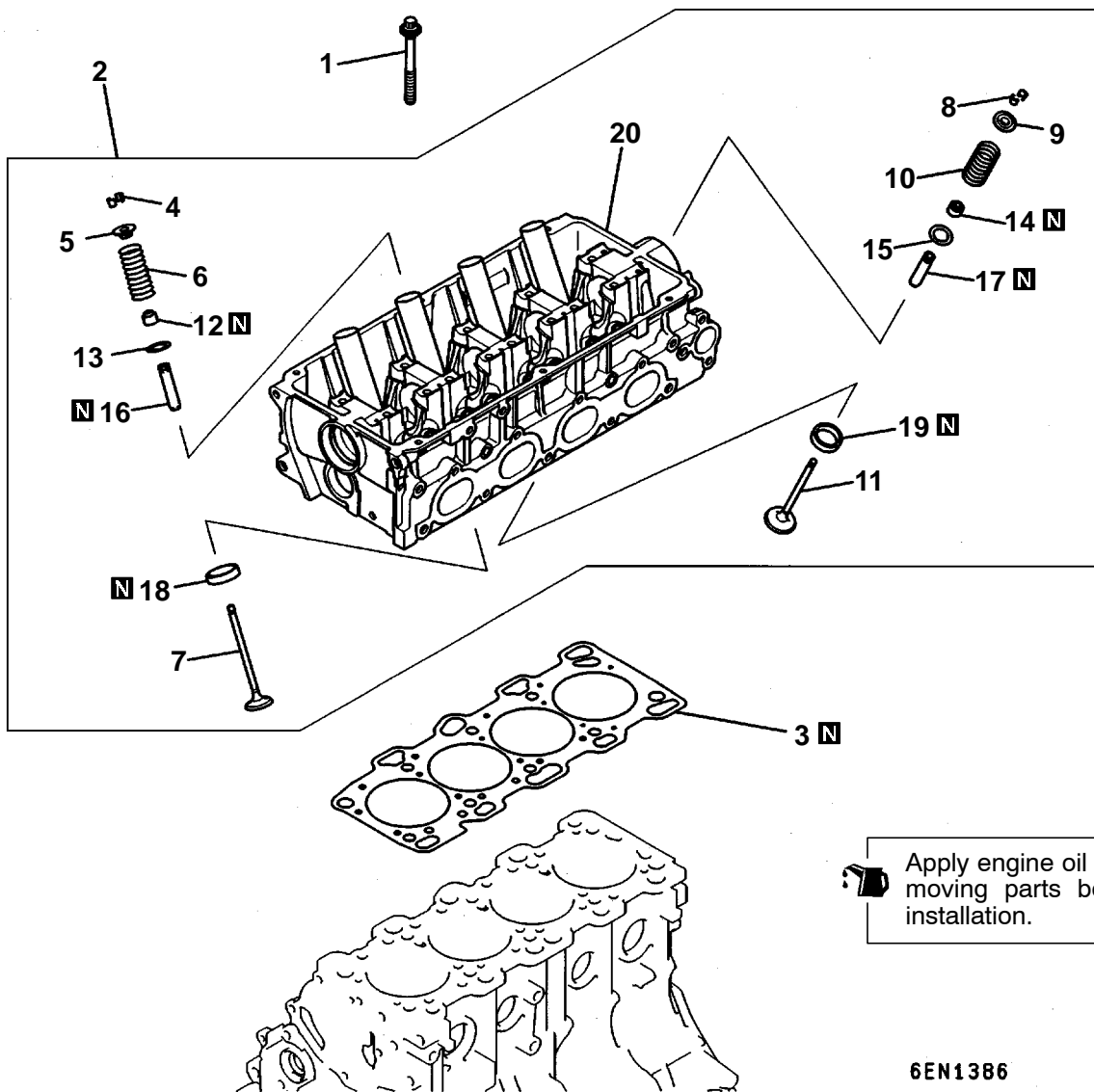
NOTE

If lash adjuster contracts, perform the operations (13) through (15) again to fill it with diesel fuel completely. Replace the lash adjuster if it still contracts after performing these steps.

- (16) Stand the lash adjuster upright to prevent diesel fuel from spilling out. Do not allow the lash adjuster to become contaminated by dirt or other foreign matter. Fit the lash adjuster onto the engine as soon as possible.

9. CYLINDER HEAD AND VALVES

REMOVAL AND INSTALLATION (SOHC)

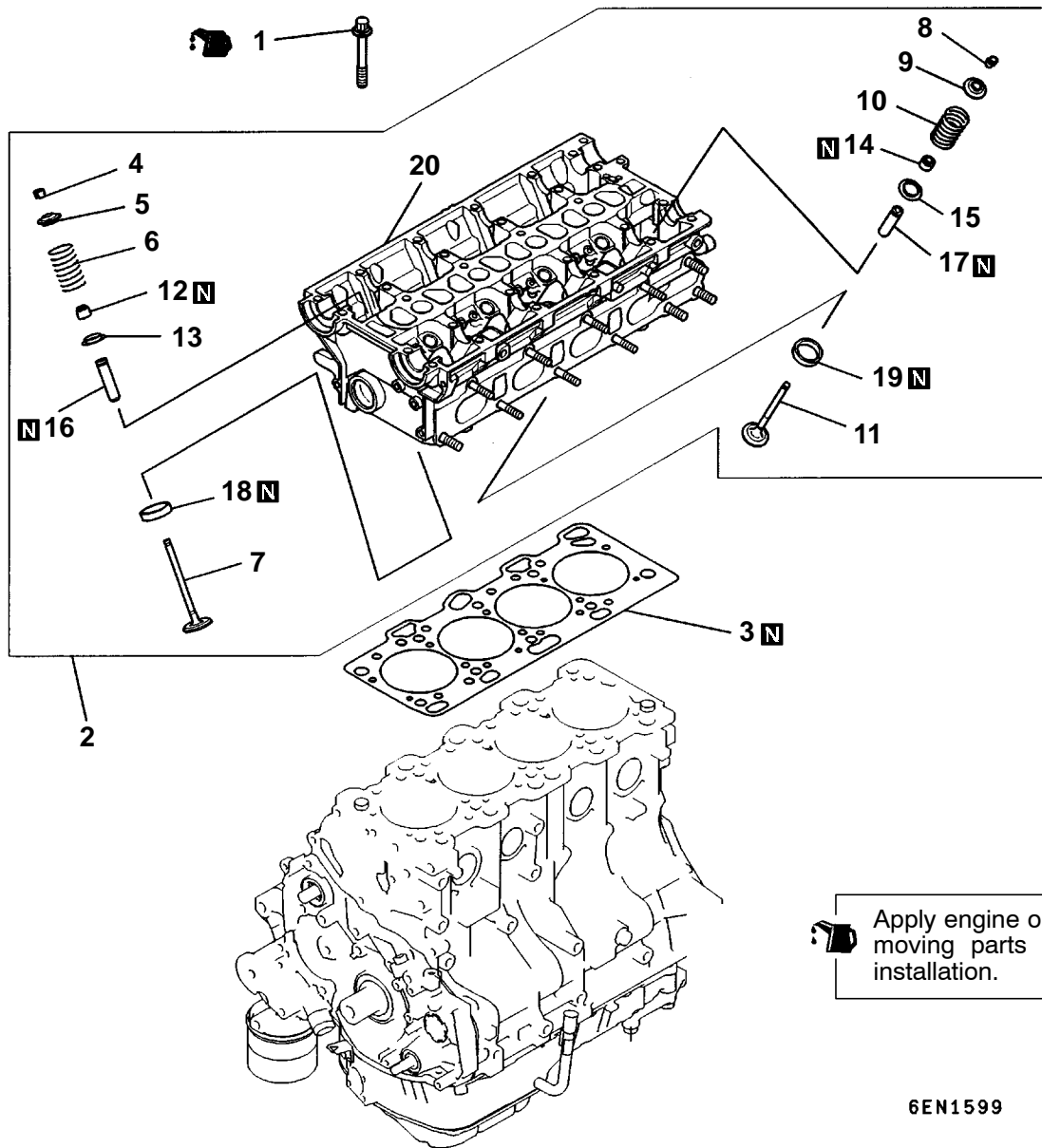


Removal steps

- ◀A▶ ▶E◀ 1. Cylinder head bolt
- ▶A▶ ▶E◀ 2. Cylinder head assembly
- ◀B▶ ▶D▶ ▶C◀ 3. Cylinder head gasket
- ◀B▶ ▶C◀ 4. Retainer lock
- ▶B▶ ▶C◀ 5. Valve spring retainer
- ▶B▶ ▶C◀ 6. Valve spring
- ▶B▶ ▶C◀ 7. Intake valve
- ◀B▶ ▶C▶ ▶A◀ 8. Retainer lock
- ▶B▶ ▶C▶ ▶A◀ 9. Valve spring retainer
- ▶B▶ ▶C▶ ▶A◀ 10. Valve spring

- ▶C▶ ▶A▶ ▶E◀ 11. Exhaust valve
- ▶C▶ ▶A▶ ▶E◀ 12. Valve stem seal
- ▶C▶ ▶A▶ ▶E◀ 13. Valve spring seat
- ▶C▶ ▶A▶ ▶E◀ 14. Valve stem seal
- ▶C▶ ▶A▶ ▶E◀ 15. Valve spring seat
- ▶C▶ ▶A▶ ▶E◀ 16. Intake valve guide
- ▶C▶ ▶A▶ ▶E◀ 17. Exhaust valve guide
- ▶C▶ ▶A▶ ▶E◀ 18. Intake valve seat
- ▶C▶ ▶A▶ ▶E◀ 19. Exhaust valve seat
- ▶C▶ ▶A▶ ▶E◀ 20. Cylinder head

REMOVAL AND INSTALLATION (GDI)

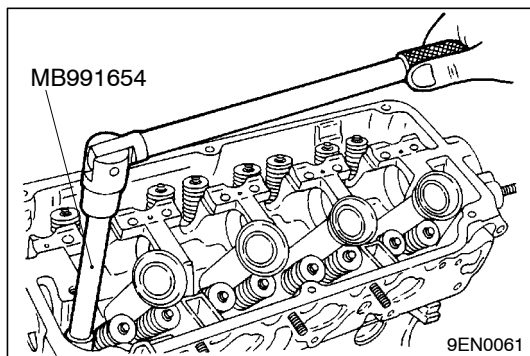


6EN1599

Removal steps

- ◀A▶ ▶E▶ 1. Cylinder head bolt
- ▶B▶ ▶C▶ 2. Cylinder head assembly
- ▶B▶ ▶C▶ 3. Cylinder head gasket
- ▶B▶ ▶C▶ 4. Retainer lock
- ▶B▶ ▶C▶ 5. Valve spring retainer
- ▶B▶ ▶C▶ 6. Valve spring
- ▶B▶ ▶C▶ 7. Intake valve
- ▶B▶ ▶C▶ 8. Retainer lock
- ▶B▶ ▶C▶ 9. Valve spring retainer
- ▶B▶ ▶C▶ 10. Valve spring

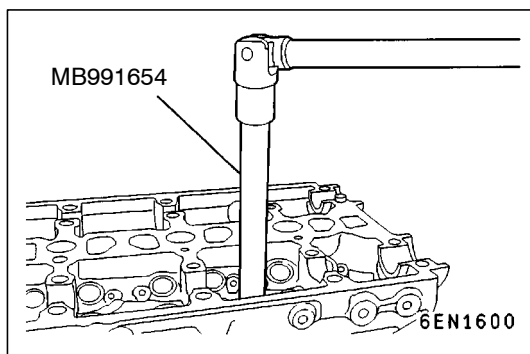
- ▶C▶ ▶A▶ 11. Exhaust valve
- ▶C▶ ▶A▶ 12. Valve stem seal
- ▶C▶ ▶A▶ 13. Valve spring seat
- ▶C▶ ▶A▶ 14. Valve stem seal
- ▶C▶ ▶A▶ 15. Valve spring seat
- ▶C▶ ▶A▶ 16. Intake valve guide
- ▶C▶ ▶A▶ 17. Exhaust valve guide
- ▶C▶ ▶A▶ 18. Intake valve seat
- ▶C▶ ▶A▶ 19. Exhaust valve seat
- ▶C▶ ▶A▶ 20. Cylinder head

**REMOVAL SERVICE POINTS****PRECAUTION FOR REMOVED PARTS**

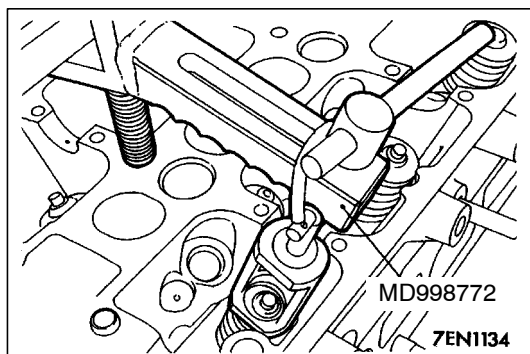
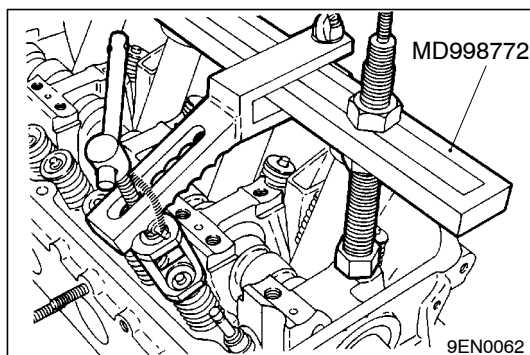
Keep removed parts in order according to the cylinder number and intake/exhaust.

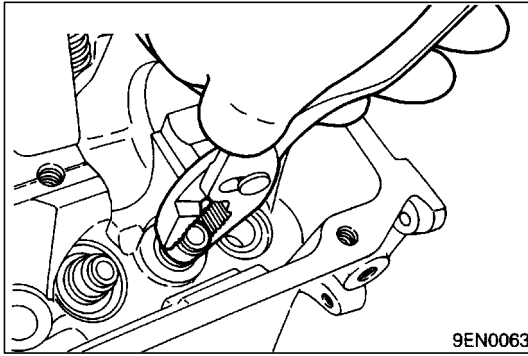
◀A▶ CYLINDER HEAD BOLTS REMOVAL

- (1) Using the special tool, loosen the cylinder head bolts. Loosen evenly, little by little.

**◀B▶ RETAINER LOCK REMOVAL**

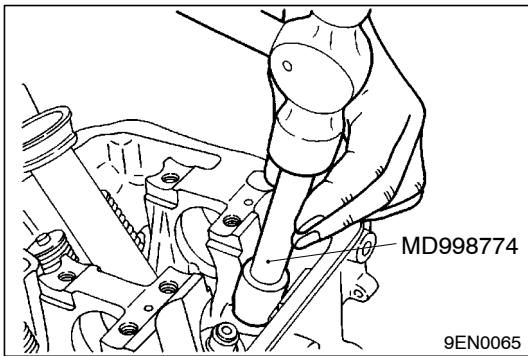
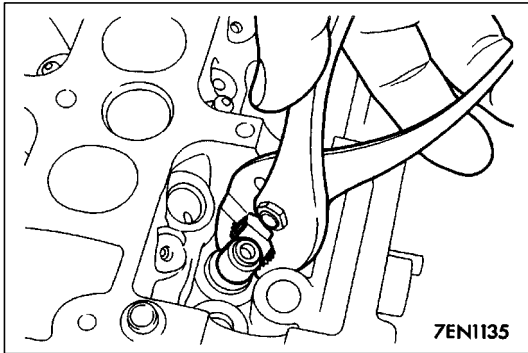
- (1) Store removed valves, springs and other parts, tagged to indicate their cylinder No. and location for reassembly.





◀C▶ VALVE STEM SEAL REMOVAL

- (1) Do not reuse removed stem seal.



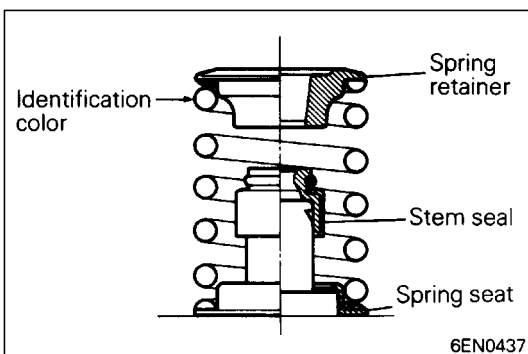
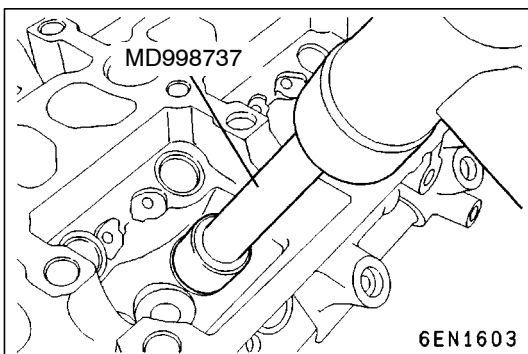
INSTALLATION SERVICE POINTS

▶A◀ VALVE STEM SEAL INSTALLATION

- (1) Install the valve spring seat.
- (2) The special tool must be used to install the valve stem seal. Improper installation could result in oil leaks past the valve guide.

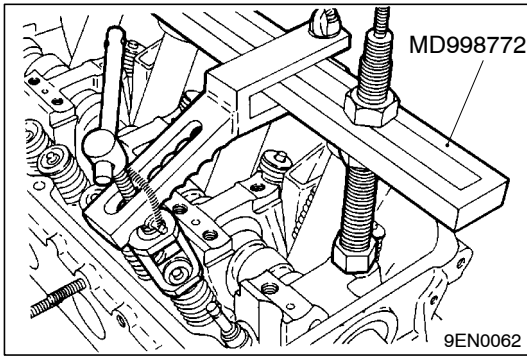
Caution

- Do not reuse removed valve stem seals.



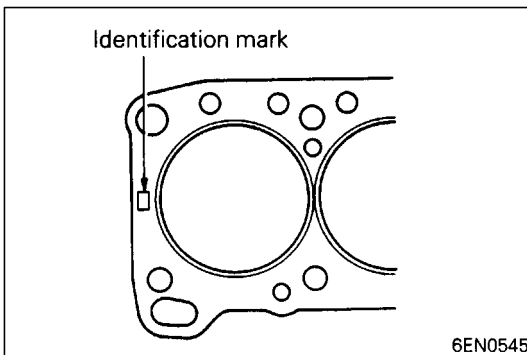
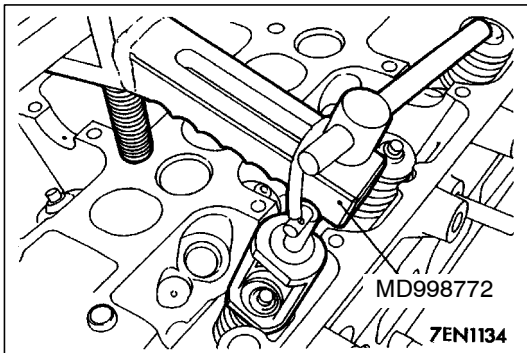
▶B◀ VALVE SPRING INSTALLATION

- (1) Direct the valve spring end with identification color toward the spring retainer.



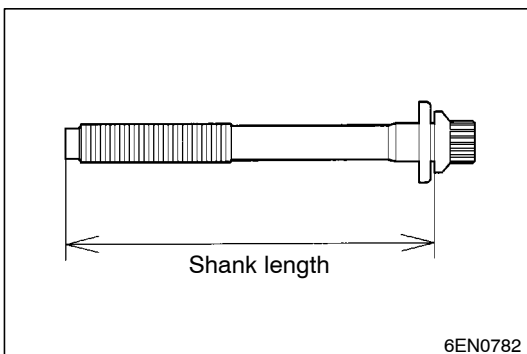
▶◀ RETAINER LOCK INSTALLATION

- (1) The valve spring, if excessively compressed, causes the bottom end of the retainer to be in contact with, and damage, the stem seal.



▶◀ CYLINDER HEAD GASKET IDENTIFICATION

Identification mark: 4G63N

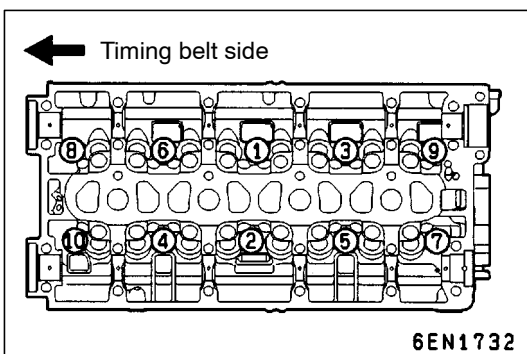


▶◀ CYLINDER HEAD BOLT INSTALLATION

- (1) When installing the cylinder head bolts, check that the shank length of each bolt meets the limit. If the limit is exceeded, replace the bolt.

Limit: Max. 99.4 mm

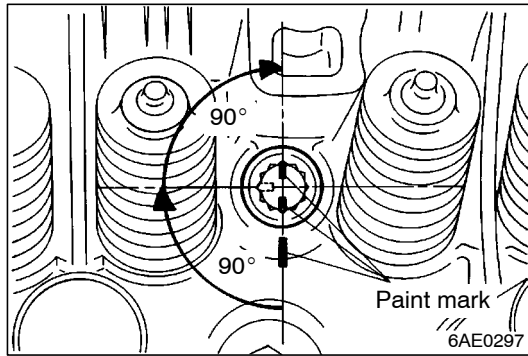
- (2) Apply engine oil to the bolt threads and to the washers.



- (3) Using the special tool (MB991654) and according to the tightening sequence, tighten the bolts to the specified torque.

Tightening torque: 78 Nm

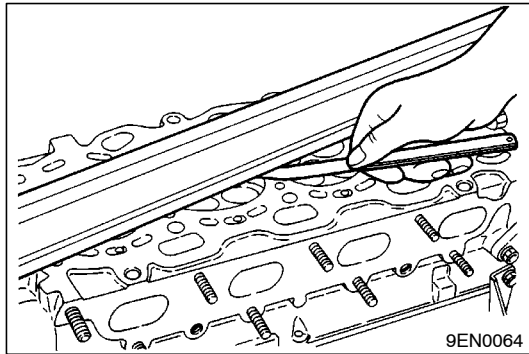
- (4) Loosen all bolts fully.
- (5) Retighten the loosened bolts to a torque of 20 Nm in the specified tightening sequence.



- (6) Make paint marks on the cylinder head bolt heads and cylinder head.
- (7) Give a 90° turn to the cylinder head bolts in the specified tightening sequence.
- (8) Give another 90° turn to the cylinder head bolts and make sure that the paint mark on the head of each cylinder head bolt and that on the cylinder head are on the same straight line.

Caution

- If the bolt is turned less than 90°, proper fastening performance may not be expected. When tightening the bolt, therefore, be careful to give a sufficient turn to it.
- If the bolt is overtightened, loosen the bolt completely and then retighten it by repeating the tightening procedure from step (1).



INSPECTION

CYLINDER HEAD

- (1) Check the cylinder head gasket surface for flatness by using a straightedge and thickness gauge.

Standard value: 0.05 mm

Limit: 0.2 mm

- (2) If the service limit is exceeded, correct to meet specification.

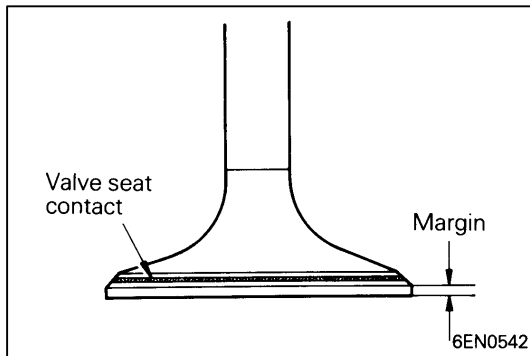
Grinding limit: *0.2 mm

* Includes combined with cylinder block grinding.

Cylinder head height (Specification when new):

SOHC 119.9 - 120.1 mm

GDI 131.9 - 132.1 mm



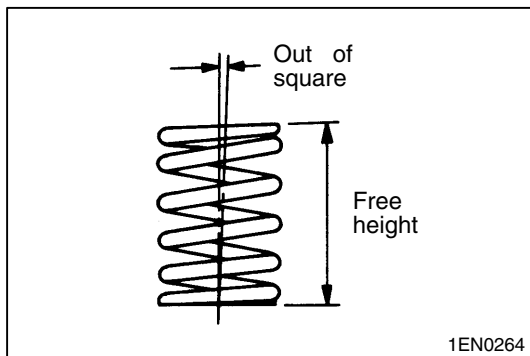
VALVE

- (1) Check the valve face for correct contact. If incorrect, reface using a valve refacer. Valve seat contact should be maintained uniform at the center of valve face.
- (2) If the margin exceeds the service limit, replace the valve.

Item		Standard value mm	Limit mm
SOHC	Intake	1.0	0.5
	Exhaust	1.2	0.7
GDI	Intake	1.0	0.5
	Exhaust	1.5	1.0

- (3) Measure valve's total length. If measurement is less than specified, replace the valve.

Item		Standard value mm	Limit mm
SOHC	Intake	112.30	111.80
	Exhaust	114.11	113.61
GDI	Intake	105.5	105.0
	Exhaust	105.7	105.2



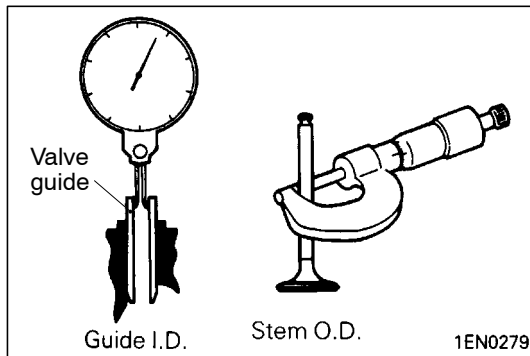
VALVE SPRING

- (1) Measure the free height of spring and, if it is smaller than the limit, replace.

Item	Standard value mm	Limit mm
SOHC	50.8	49.8
GDI	50.5	49.5

- (2) Measure the squareness of the spring and, if the limit is exceeded, replace.

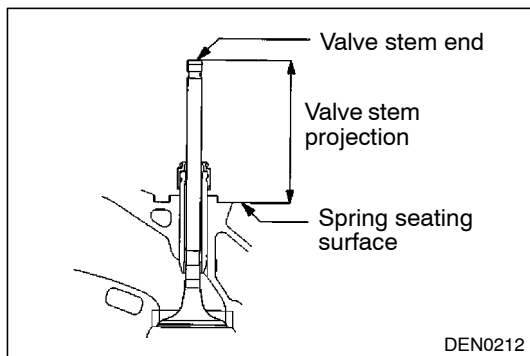
Item	Standard value mm	Limit mm
SOHC	2°	4°
GDI	2°	4°



VALVE GUIDE

- (1) Measure the clearance between the valve guide and valve stem. If the limit is exceeded, replace the valve guide or valve, or both.

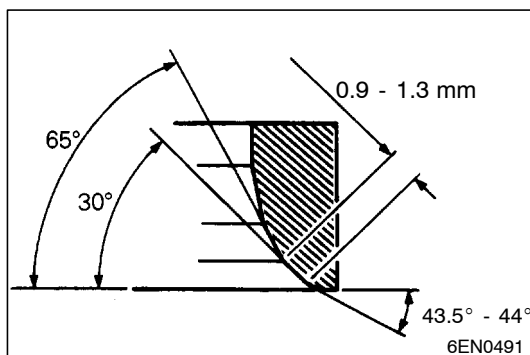
Item		Standard value mm	Limit mm
SOHC	Intake	0.02 - 0.05	0.10
	Exhaust	0.03 - 0.07	0.15
GDI	Intake	0.02 - 0.05	0.10
	Exhaust	0.05 - 0.09	0.15



VALVE SEAT

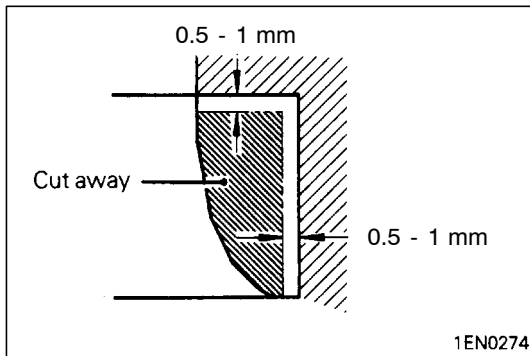
- (1) Assemble the valve, then measure the valve stem projection between the end of the valve stem and the spring seating surface. If the measurement exceeds the specified limit, replace the valve seat.

Item		Standard value mm	Limit mm
SOHC	Intake	49.30	49.80
	Exhaust	49.30	49.80
GDI	Intake	49.20	49.70
	Exhaust	48.40	48.90



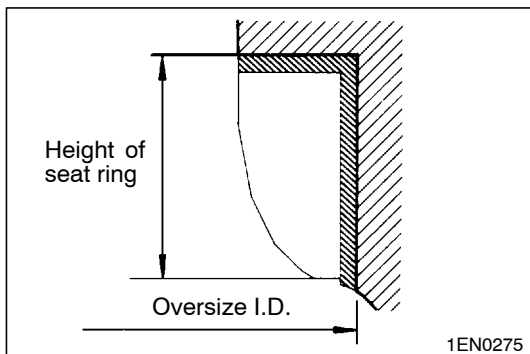
VALVE SEAT RECONDITIONING PROCEDURE

- Before correcting the valve seat, check for clearance between the valve guide and valve and, if necessary, replace the valve guide.
- Using the seat grinder, correct to obtain the specified seat width and angle.
- After correcting the valve seat, lap the valve and valve seat using lapping compound. Then, check the valve stem projection (refer to VALVE SEAT in INSPECTION).



VALVE SEAT REPLACEMENT PROCEDURE

- (1) Cut the valve seat to be replaced from the inside to thin the wall thickness. Then, remove the valve seat.



- (2) Rebore the valve seat hole in the cylinder head to a selected oversize valve seat diameter.

Valve seat ring hole diameter

Item			Standard value mm
SOHC	Intake	0.30 O.S.	34.30 - 34.33
		0.60 O.S.	34.60 - 34.63
	Exhaust	0.30 O.S.	31.80 - 31.83
		0.60 O.S.	32.60 - 32.63
GDI	Intake	0.30 O.S.	35.30 - 35.33
		0.60 O.S.	35.60 - 35.63
	Exhaust	0.30 O.S.	33.30 - 33.33
		0.60 O.S.	33.60 - 33.63

- (3) Before fitting the valve seat, either heat the cylinder head up to approximately 250°C (482°F) or cool the valve seat in liquid nitrogen, to prevent the cylinder head bore from galling.
- (4) Using a valve seat cutter, correct the valve seat to the specified width and angle.
See "VALVE SEAT RECONDITIONING PROCEDURE".

VALVE GUIDE REPLACEMENT PROCEDURE

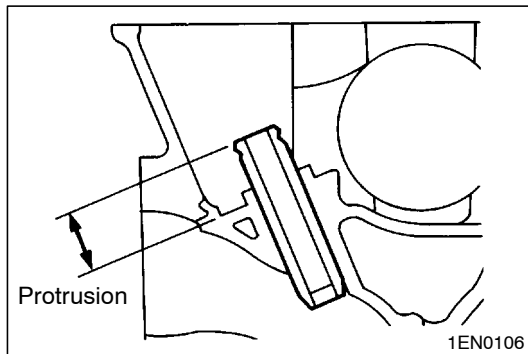
- (1) Force the valve guide out toward the cylinder block using a press.
- (2) Machine the valve guide hole in the cylinder head to the size of the oversize valve guide to be installed.

Caution

- **Do not use the valve guide of the same size as the removed one.**

Valve gauge hole diameters in cylinder head

Item		Standard value mm
SOHC	0.05 O.S.	11.05 - 11.07
	0.25 O.S.	11.25 - 11.27
	0.50 O.S.	11.50 - 11.52
GDI	0.05 O.S.	12.05 - 12.07
	0.25 O.S.	12.25 - 12.27
	0.50 O.S.	12.50 - 12.52



- (3) Press-fit the valve guide until it protrude specified value (SOHC 14 mm, GDI 19.5 mm) as shown in the illustration.

Caution

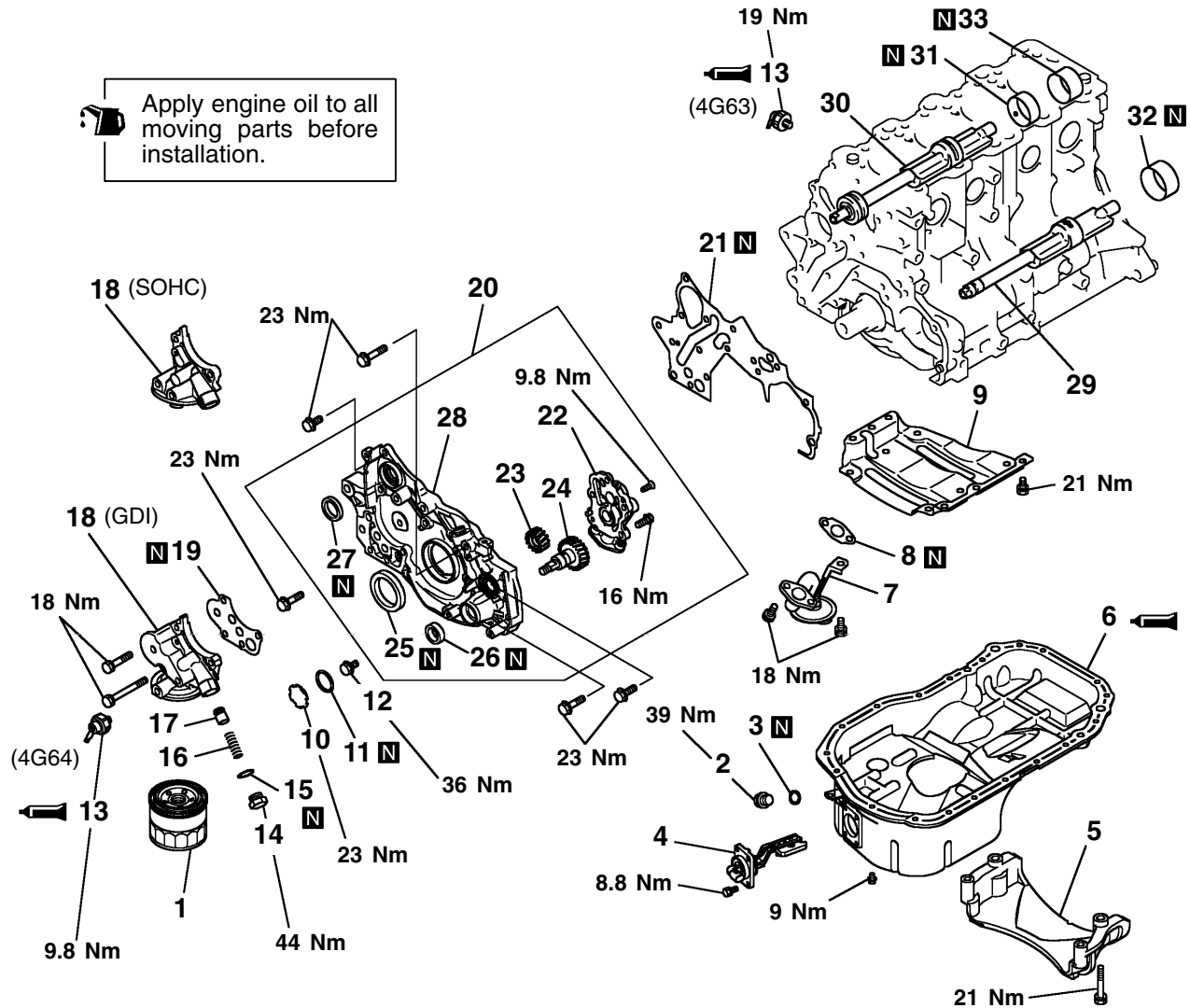
- **Press the valve guide from the cylinder head top surface.**
 - **Valve guide for intake valve and that for exhaust valve are different in length. (45.5 mm for intake valve; 50.5 mm for exhaust valve)**
- (4) After the valve guide has been installed, insert a new valve to check for smooth sliding motion.

10. FRONT CASE, COUNTERBALANCE SHAFTS AND OIL PAN

REMOVAL AND INSTALLATION

<GDI ENGINE (Except VEHICLES for Hong Kong UP TO 1999 MODEL)>

Apply engine oil to all moving parts before installation.




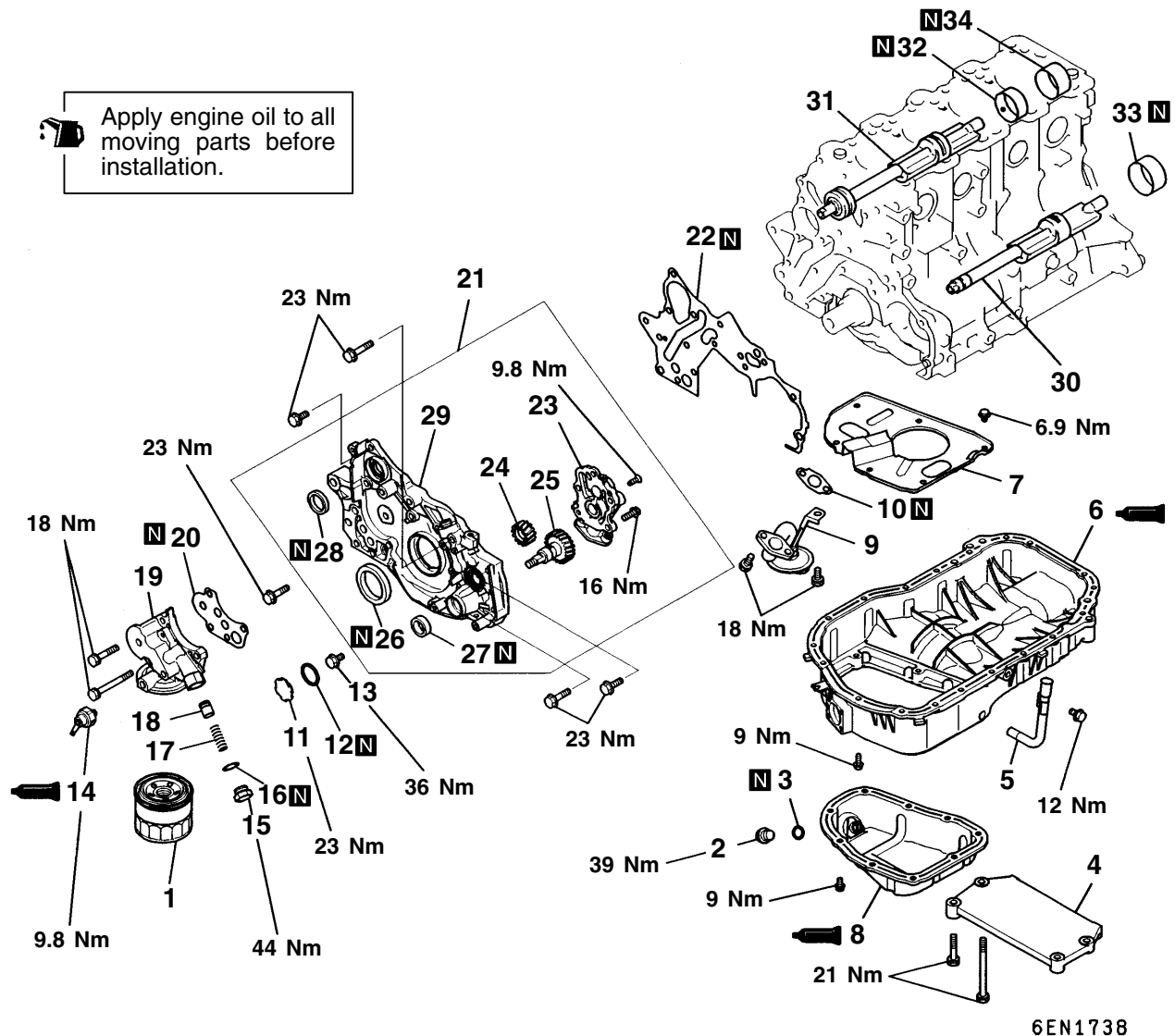
6EN1851

Removal steps

- | | | | |
|---------|----------------------------------------------------|---------|-------------------------------------------------|
| ▶O◀ | 1. Oil filter | ▶H◀ | 20. Front case assembly |
| ▶N◀ | 2. Drain plug | ▶G◀ | 23. Oil pump driven gear |
| ▶N◀ | 3. Drain plug gasket | ▶G◀ | 24. Oil pump drive gear |
| ▶N◀ | 4. Oil level sensor
(Vehicle for Europe) | ▶F◀ | 25. Crankshaft front oil seal |
| ◀A▶ ▶L▶ | 5. Transmission stay (GDI engine) | ▶E◀ | 26. Oil pump oil seal |
| ▶N◀ | 6. Oil pan | ▶D◀ | 27. Counterbalance shaft oil seal |
| ▶N◀ | 7. Oil screen | ▶N◀ | 28. Front case |
| ▶N◀ | 8. Oil screen gasket | ▶N◀ | 29. Counterbalance shaft, left |
| ▶N◀ | 9. Stiffener (SOHC engine – vehicle
for Europe) | ▶N◀ | 30. Counterbalance shaft, right |
| ◀D▶ ▶K▶ | 10. Plug | ◀F▶ ▶C▶ | 31. Counterbalance shaft front bearing |
| ▶E▶ ▶J▶ | 11. O-ring | ◀G▶ ▶B▶ | 32. Counterbalance shaft rear bearing,
left |
| ▶I▶ | 12. Flange bolt | ◀G▶ ▶A▶ | 33. Counterbalance shaft rear bearing,
right |
| ▶I▶ | 13. Oil pressure switch | | |
| ▶I▶ | 14. Relief plug | | |
| ▶I▶ | 15. Relief plug gasket | | |
| ▶I▶ | 16. Relief spring | | |
| ▶I▶ | 17. Relief plunger | | |

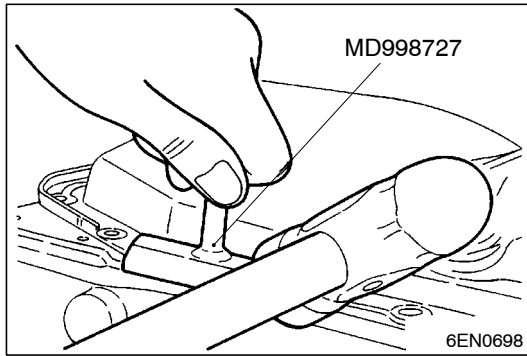
REMOVAL AND INSTALLATION
<GDI ENGINE – VEHICLES for Hong Kong UP TO 1999 MODEL>

 Apply engine oil to all moving parts before installation.



Removal steps

- | | | | |
|---------|-------------------------------|---------|----------------------------------------------|
| ▶O◀ | 1. Oil filter | ▶H◀ | 21. Front case assembly |
| ▶N◀ | 2. Drain plug | ▶G◀ | 22. Gasket |
| ▶B◀ ▶M◀ | 3. Drain plug gasket | ▶G◀ | 23. Oil pump cover |
| ▶C◀ ▶M◀ | 4. Transmission stay | ▶G◀ | 24. Oil pump driven gear |
| ▶D◀ ▶K◀ | 5. Oil level gauge guide | ▶F◀ | 25. Oil pump drive gear |
| ▶E◀ ▶J◀ | 6. Oil pan lower | ▶E◀ | 26. Crankshaft front oil seal |
| ▶I◀ | 7. Baffle plate | ▶D◀ | 27. Oil pump oil seal |
| | 8. Oil pan upper | | 28. Counterbalance shaft oil seal |
| | 9. Oil screen | | 29. Front case |
| | 10. Gasket | | 30. Counterbalance shaft, left |
| | 11. Plug | | 31. Counterbalance shaft, right |
| | 12. O-ring | ▶F◀ ▶C◀ | 32. Counterbalance shaft front bearing |
| | 13. Flange bolt | ▶G◀ ▶B◀ | 33. Counterbalance shaft rear bearing, left |
| | 14. Oil pressure switch | ▶G◀ ▶A◀ | 34. Counterbalance shaft rear bearing, right |
| | 15. Relief plug | | |
| | 16. Gasket | | |
| | 17. Relief spring | | |
| | 18. Relief plunger | | |
| | 19. Oil filter bracket | | |
| | 20. Oil filter bracket gasket | | |



REMOVAL SERVICE POINTS

◀A▶ OIL PAN REMOVAL

- (1) Remove all oil pan bolts.
- (2) Drive in the special tool between the cylinder block and oil pan.

NOTE

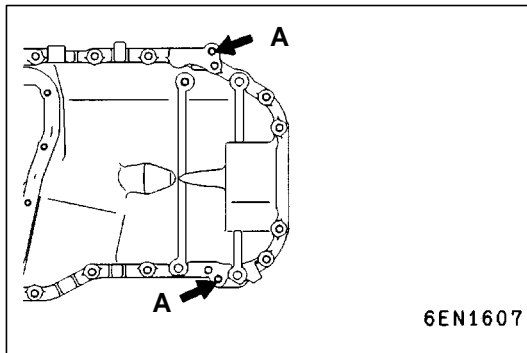
Never use a screwdriver or chisel, instead of the service tool, as a deformed oil pan flange will result in oil leakage.

◀B▶ OIL PAN LOWER REMOVAL

- (1) Apply a wood block to the oil pan side and remove the oil pan lower by tapping lightly on it with a plastic hammer.

Caution

- Do not use a scraper or special tool to remove the oil pan.

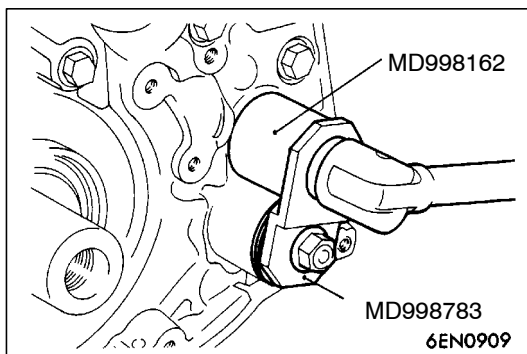


◀C▶ OIL PAN UPPER REMOVAL

- (1) Remove all bolts.
- (2) Screw a bolt into bolt hole A shown to remove the oil pan.

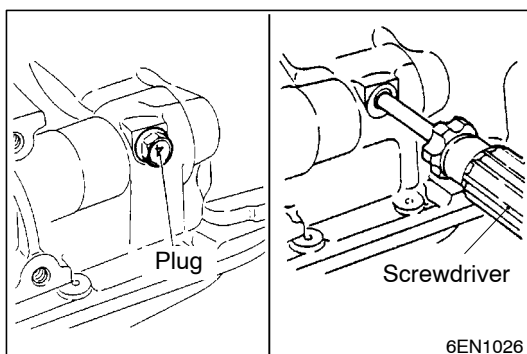
Caution

- Do not use a scraper or special tool to remove the oil pan.



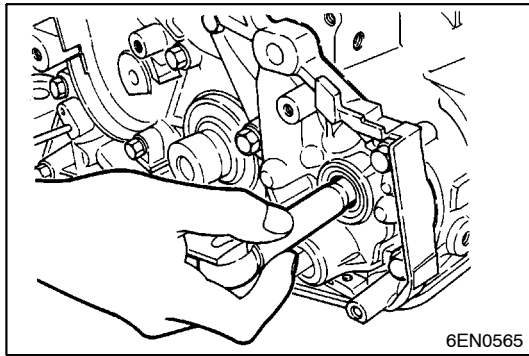
◀D▶ PLUG REMOVAL

- (1) If the plug is too tight, hit the plug head with a hammer two to three times, and the plug will be easily loosened.

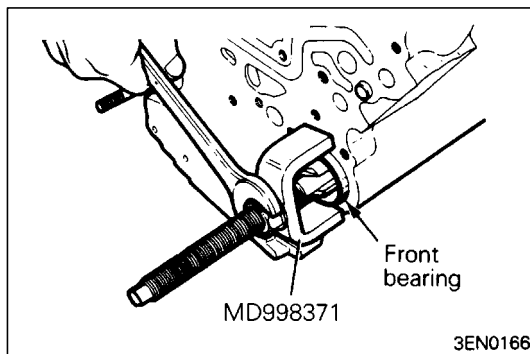


◀E▶ FLANGE BOLT REMOVAL

- (1) Remove the plug on the side of cylinder block.
- (2) Insert a Phillips screwdriver (shank diameter 8 mm) into the plug hole to lock the counterbalance shaft.



(3) Loosen the flange bolt.



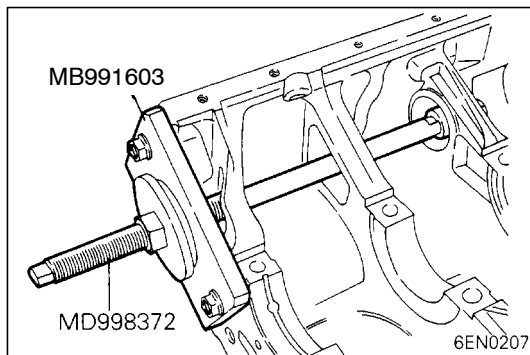
◀F▶ COUNTERBALANCE SHAFT FRONT BEARING REMOVAL

(1) Using the special tool, remove the counterbalance shaft front bearing from the cylinder block.

NOTE

Be sure to remove the front bearing first.

If it has not been removed, the Rear Bearing Puller cannot be used.

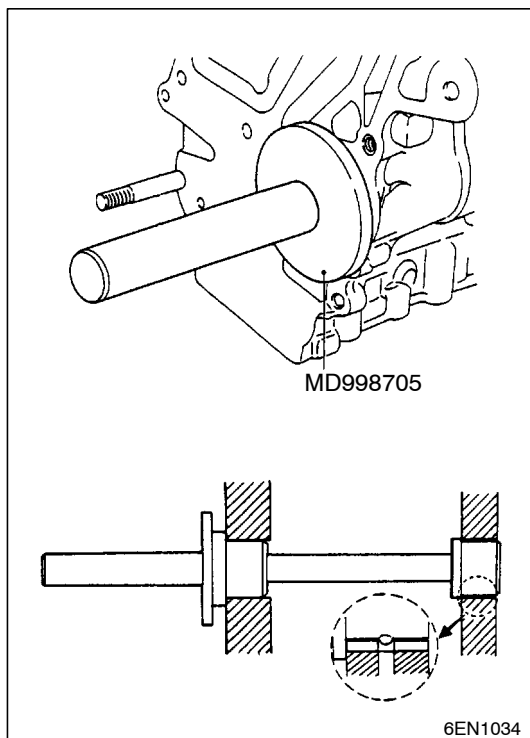


◀G▶ COUNTERBALANCE SHAFT REAR BEARING REMOVAL

(1) Using the special tool, remove the left counterbalance shaft rear bearing from the cylinder block.

NOTE

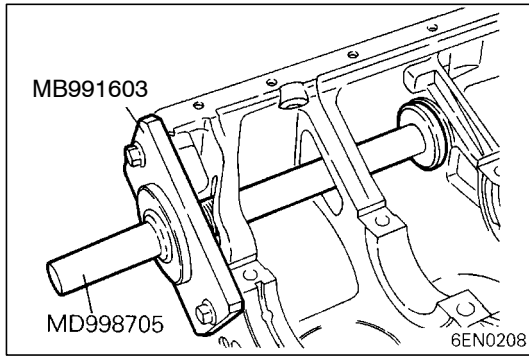
When removing the left counterbalance shaft rear bearing, install the special tool (MB991603) in front of the cylinder block.



INSTALLATION SERVICE POINTS

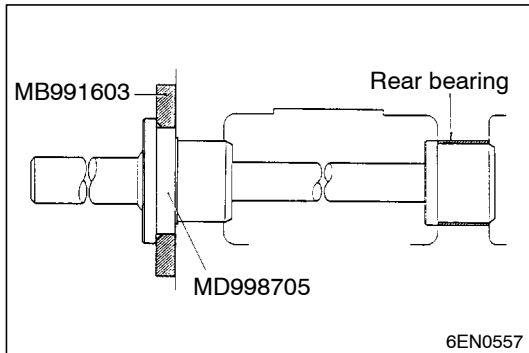
▶A◀ RIGHT COUNTERBALANCE SHAFT REAR BEARING INSTALLATION

- (1) Apply engine oil to the outer surface of bearing.
- (2) Using special tools, install right rear bearing. Make sure that oil hole of bearing is aligned with oil hole of cylinder block.



▶B◀ LEFT COUNTERBALANCE SHAFT REAR BEARING INSTALLATION

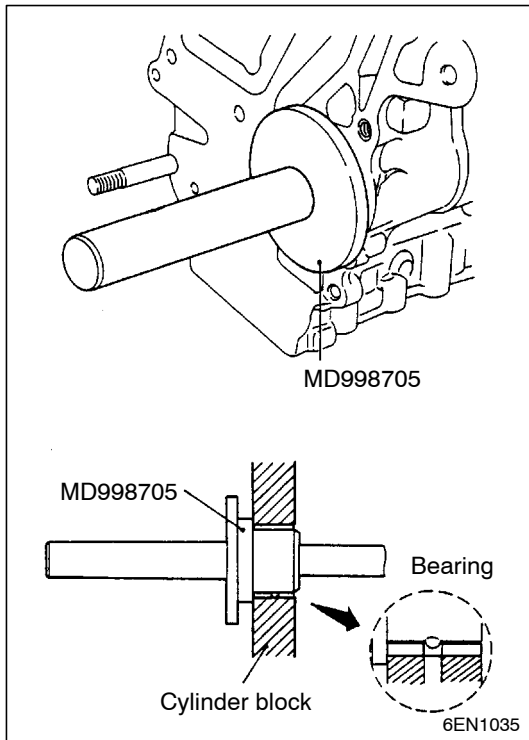
- (1) Install the special tool (Guide Plate) to the cylinder block.
- (2) Apply engine oil to the rear bearing outer circumference and bearing hole in the cylinder block.



- (3) Using the special tool, install the rear bearing.

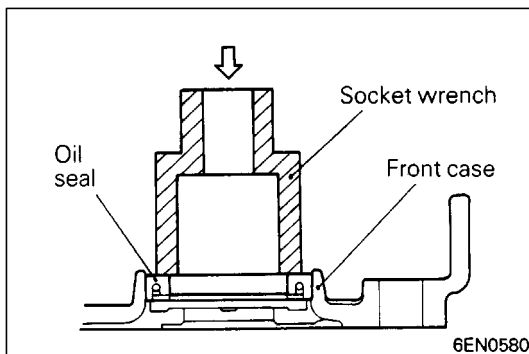
NOTE

The left rear bearing has no oil holes.

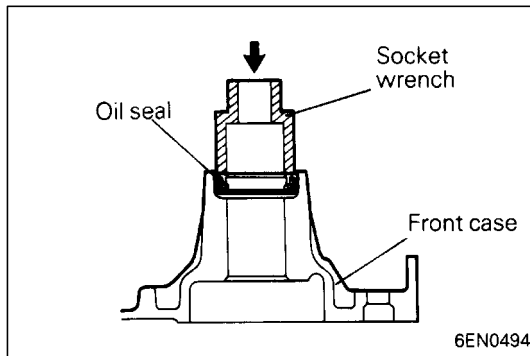


▶C◀ COUNTERBALANCE SHAFT FRONT BEARING INSTALLATION

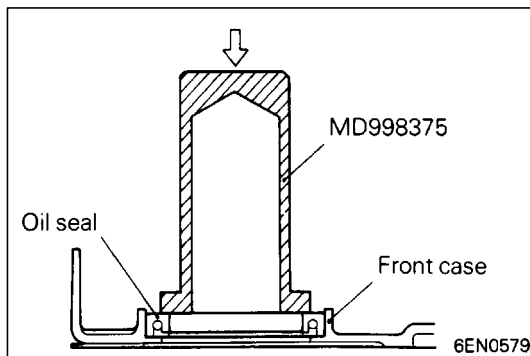
- (1) Using special tools, install front bearing.



▶D◀ COUNTERBALANCE SHAFT OIL SEAL INSTALLATION

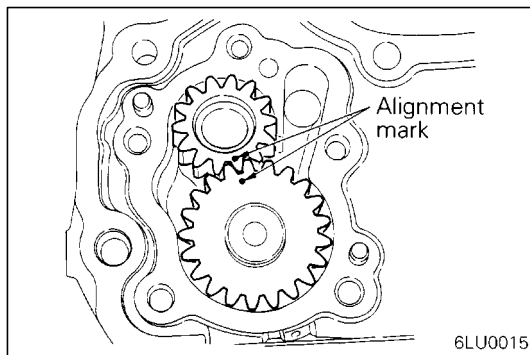


►E◄ OIL PUMP OIL SEAL INSTALLATION



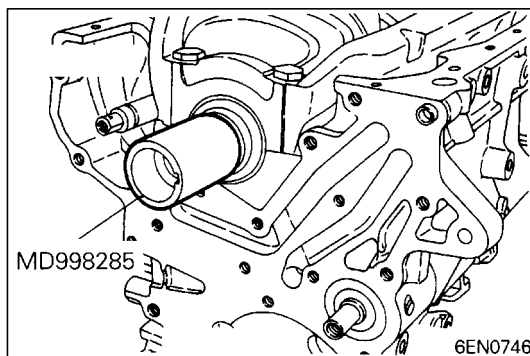
►F◄ CRANKSHAFT FRONT OIL SEAL INSTALLATION

- (1) Using the special tool, install the crankshaft front oil seal into the front case.



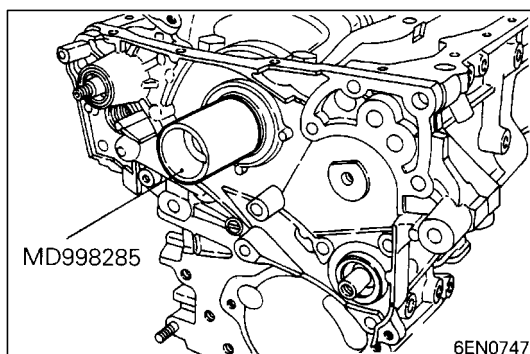
►G◄ OIL PUMP DRIVEN GEAR / OIL PUMP DRIVE GEAR INSTALLATION

- (1) Apply engine oil to the gears and line up the alignment marks.

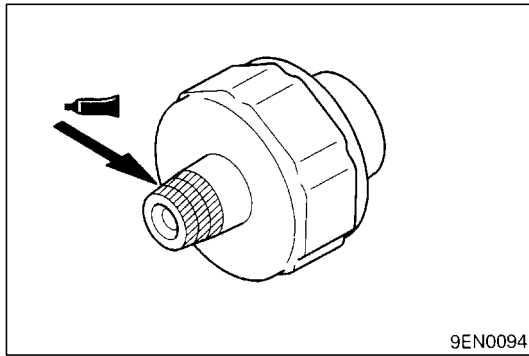


►H◄ FRONT CASE ASSEMBLY INSTALLATION

- (1) Set the special tool on the front end of crankshaft and apply a thin coat of engine oil to the outer circumference of the special tool to install the front case.



- (2) Install the front case assembly through a new front case gasket and temporarily tighten the flange bolts (other than those for tightening the filter bracket).



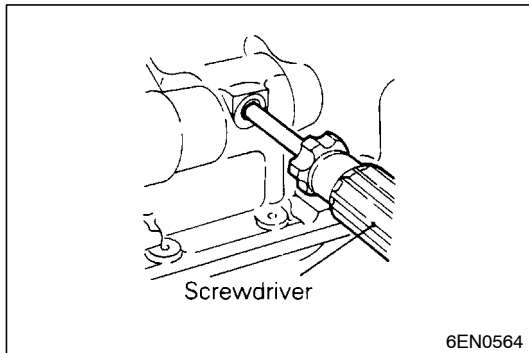
►I◄ **SEALANT APPLICATION TO OIL PRESSURE SWITCH**

- (1) Coat the threads of switch with sealant and install the switch using the special tool.

Specified sealant: 3M ATD Part No. 8660 or equivalent

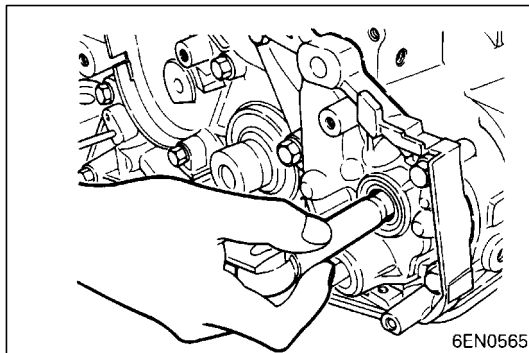
Caution

- Keep the end of the thread portion clear of sealant.
- Avoid an overtightening.

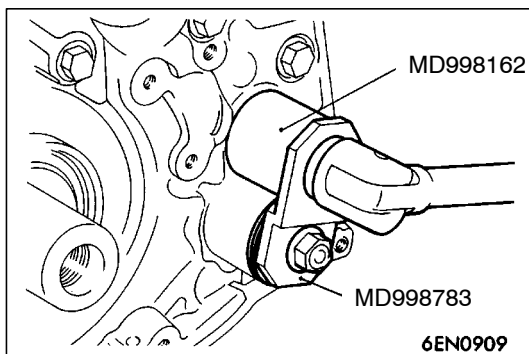


►J◄ **FLANGE BOLT INSTALLATION**

- (1) Insert a Phillips screwdriver into a hole in the left side of the cylinder block to lock the silent shaft.

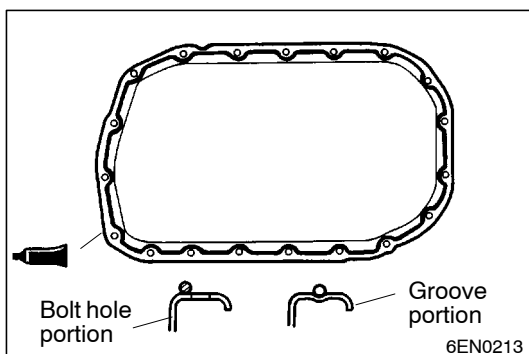


- (2) Secure the oil pump driven gear onto the left counterbalance shaft by tightening the flange bolt to specified torque.



►K◄ **PLUG INSTALLATION**

- (1) Install a new O-ring to the groove of front case.
- (2) Using the special tool, install the plug and tighten to specified torque.



►L◄ **OIL PAN INSTALLATION**

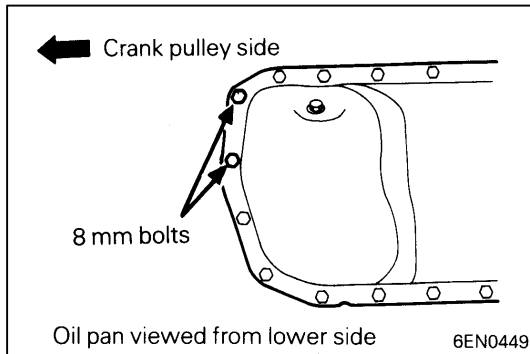
- (1) Clean both mating surfaces of oil pan and cylinder block.
- (2) Apply a 4 mm wide bead of sealant to the entire circumference of the oil pan flange.

Specified sealant:

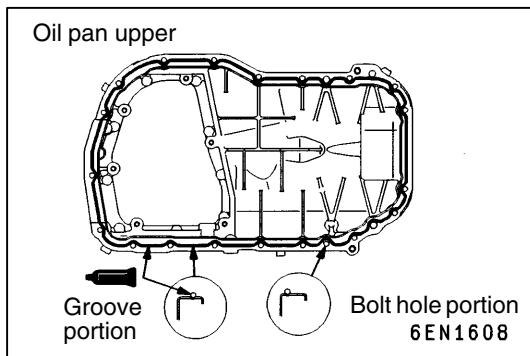
Mitsubishi Genuine Part No. MD970389 or equivalent

NOTE

- (1) Be sure to install the oil pan quickly while the sealant is wet (within 15 minutes).
- (2) After installation, keep the sealed area away from the oil and coolant for approx. one hour.



- (3) Note the difference in bolt lengths at the location shown.



►M◀ OIL PAN UPPER / OIL PAN LOWER INSTALLATION

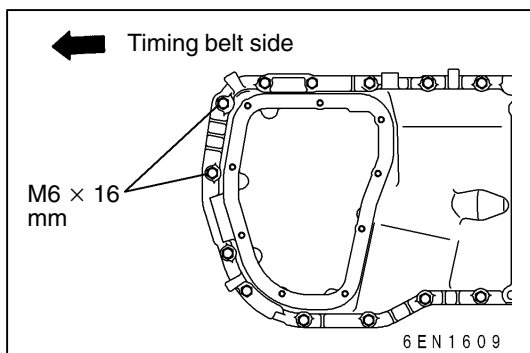
- (1) Clean both mating surfaces of oil pan and cylinder block.
- (2) Apply a 4 mm wide bead of sealant to the entire circumference of the oil pan upper flange.

Specified sealant:

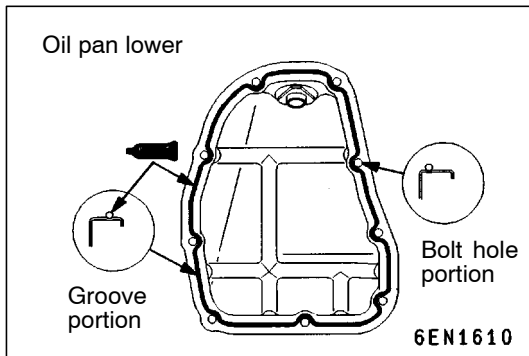
Mitsubishi Genuine Part No. MD970389 or equivalent

NOTE

- (1) Be sure to install the oil pan quickly while the sealant is wet (within 15 minutes).
- (2) After installation, keep the sealant area away from the oil and coolant for approx. one hour.



- (3) Note the difference in bolt lengths at the location shown.



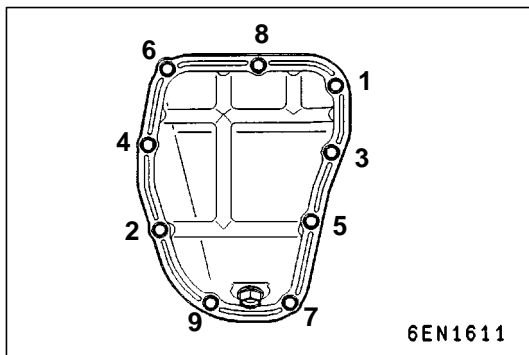
- (4) Clean both mating surfaces of oil pan lower and oil pan upper.
- (5) Apply a 4 mm wide bead of sealant to the entire circumference of the oil pan lower flange.

Specified sealant:

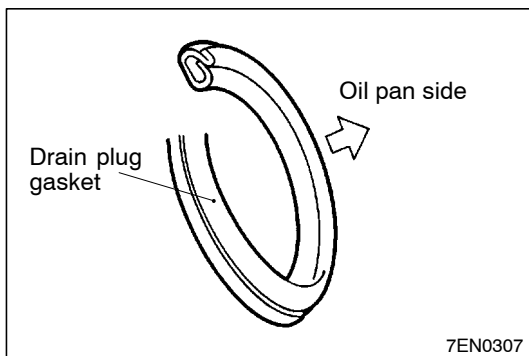
Mitsubishi Genuine Part No. MD970389 or equivalent

NOTE

- (1) Be sure to install the oil pan quickly while the sealant is wet (within 15 minutes).
- (2) After installation, keep the sealant area away from the oil and coolant for approx. one hour.

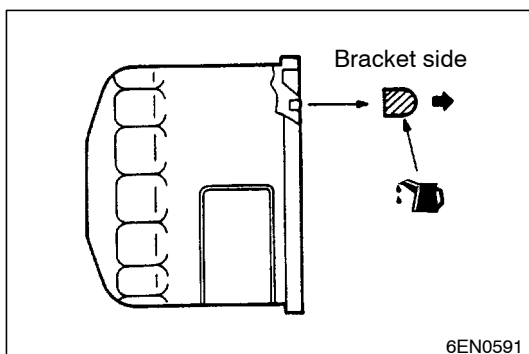


- (6) Tighten the oil pan lower mounting bolts in the sequence shown in the illustration.



►N◄ DRAIN PLUG GASKET INSTALLATION

- (1) Install the drain plug gasket in the shown direction.



►O◄ OIL FILTER INSTALLATION

- (1) Clean the installation surface of the filter bracket.
- (2) Apply engine oil to the O-ring of the oil filter.
- (3) Screw the oil filter in until the O-ring contacts the bracket. Then tighten 3/4 turn (tightening torque: 16 Nm).

NOTE

For the oil filter MD135737, tighten one turn (Tightening torque: 14 Nm) after the O-ring contacts the bracket.

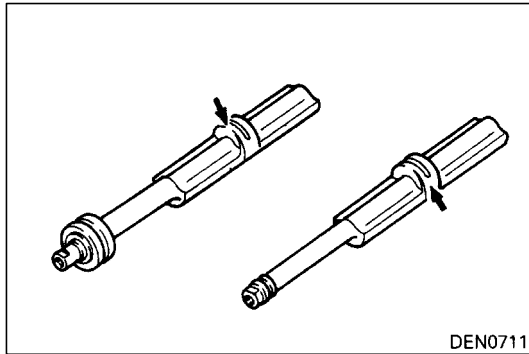
INSPECTION

FRONT CASE

- (1) Check oil holes for clogging and clean if necessary.
- (2) Check the left counterbalance shaft front bearing section for wear, damage and seizure. If there is anything wrong with the section, replace the front case.
- (3) Check the front case for cracks and other damage. Replace cracked or damaged front case.

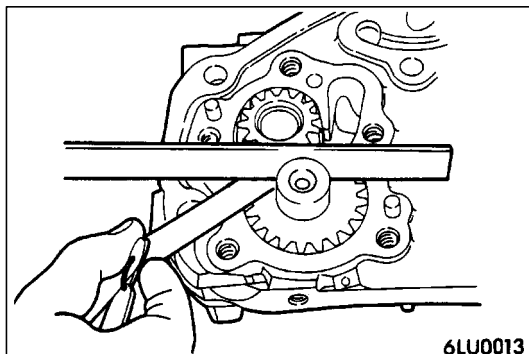
OIL SEAL

- (1) Check the oil seal lip for wear and damage. Replace oil seal if necessary.
- (2) Check the oil seal lip for deterioration. Replace oil seal if necessary.



COUNTERBALANCE SHAFT

- (1) Check oil holes for clogging.
- (2) Check journals for seizure, damage and contact with bearing. If there is anything wrong with the journal, replace the counterbalance shaft, bearing or front case assembly.



OIL PUMP


- (1) Assemble the oil pump gear to the front case and rotate it to ensure smooth rotation with no looseness.
- (2) Ensure that there is no ridge wear on the contact surface between the front case and the gear surface of the oil pump cover.
- (3) Check the side clearance.

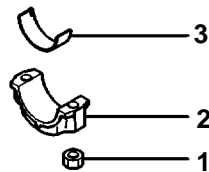
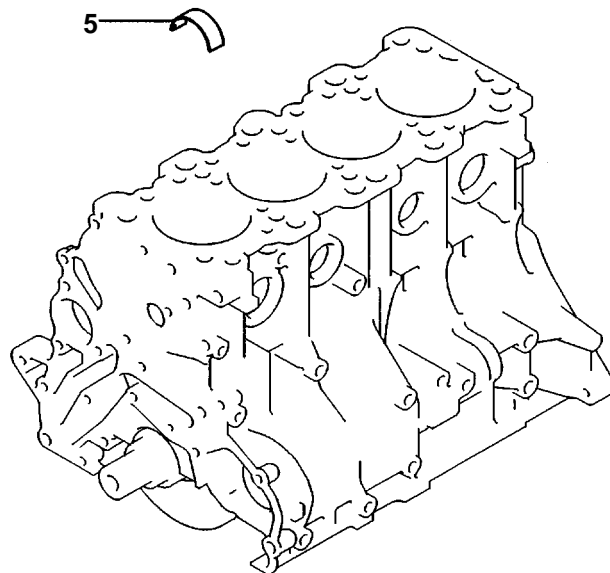
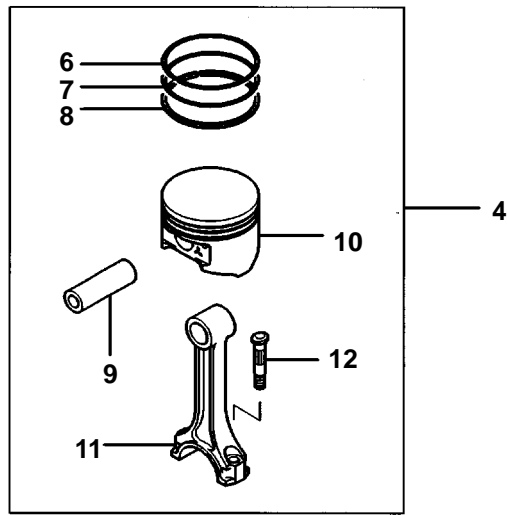
Standard value:

Drive gear	0.08 - 0.14 mm
Driven gear	0.06 - 0.12 mm

11. PISTON AND CONNECTING ROD

REMOVAL AND INSTALLATION

 Apply engine oil to all moving parts before installation.

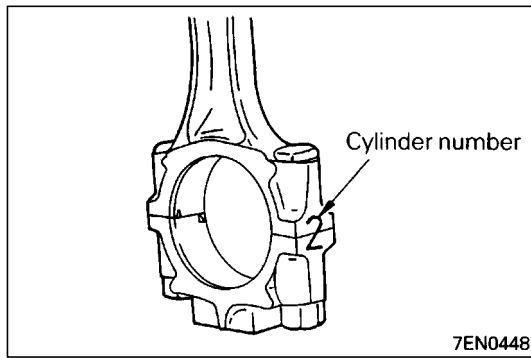


6EN0526

Removal steps

- (A)** **(G)** 1. Nut
- (F)** 2. Connecting rod cap
- (E)** 3. Connecting rod bearing
- (D)** 4. Piston and connecting rod assembly
- (E)** 5. Connecting rod bearing
- (C)** 6. Piston ring No. 1

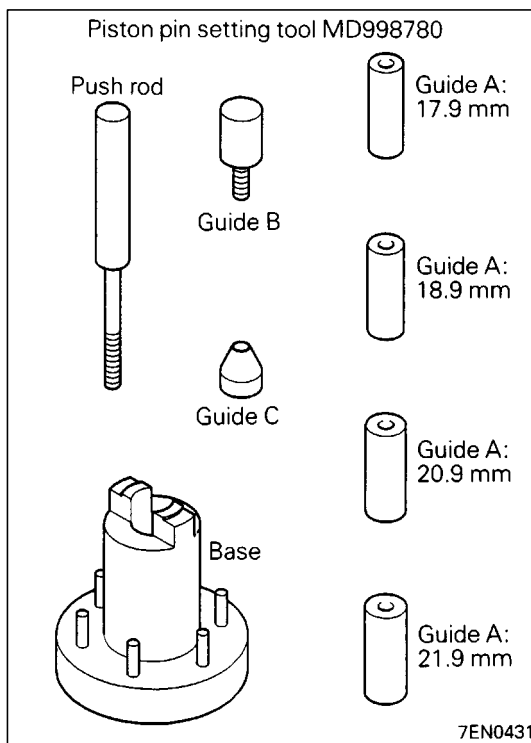
- (B)** **(C)** 7. Piston ring No. 2
- (B)** 8. Oil ring
- (A)** 9. Piston pin
- 10. Piston
- 11. Connecting rod
- 12. Bolt



REMOVAL SERVICE POINTS

◀A▶ CONNECTING ROD CAP REMOVAL

- (1) Mark the cylinder number on the side of the connecting rod big end for correct reassembly.
- (2) Keep the removed connecting rods, caps, and bearings in order according to the cylinder number.

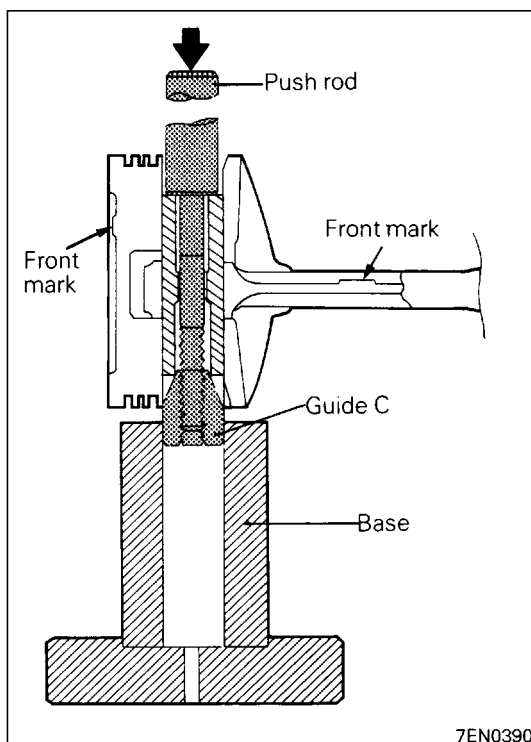


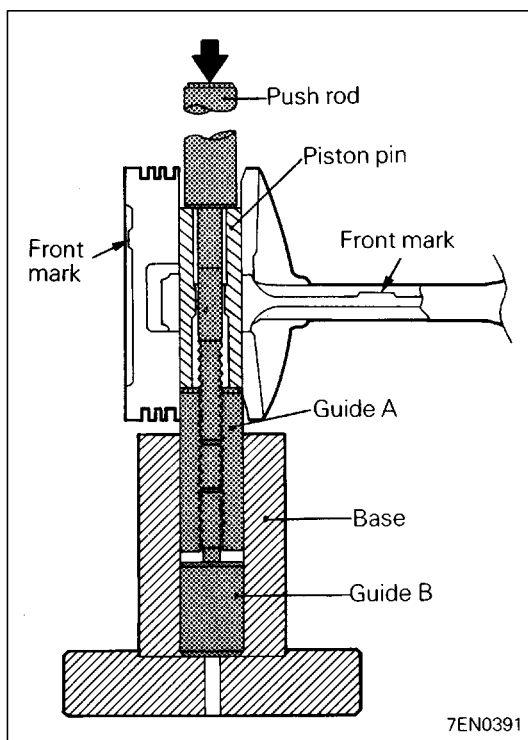
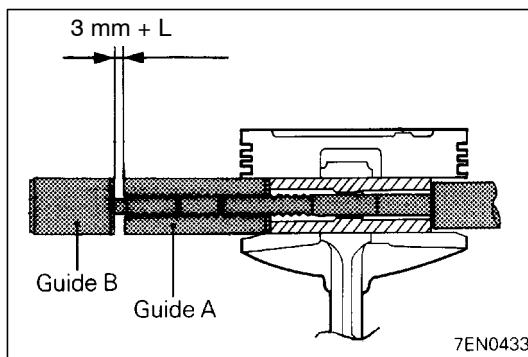
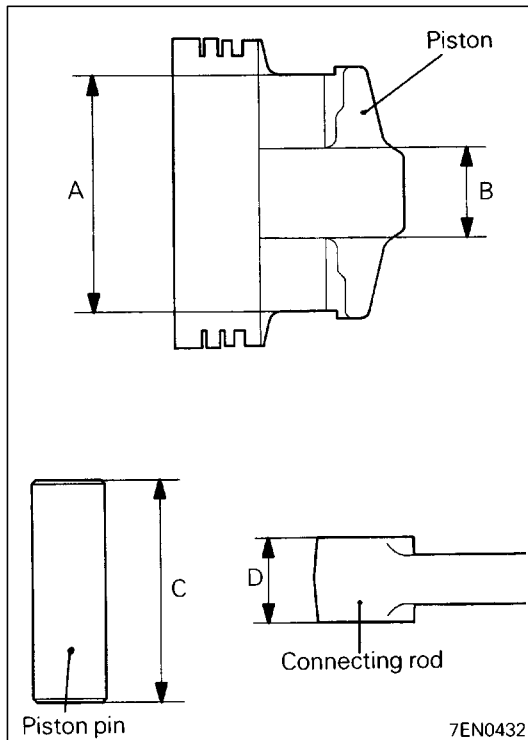
◀B▶ PISTON PIN REMOVAL

- (1) Insert the special tool, Push Rod, into the piston from the side on which the front mark is stamped in the piston head, and attach the guide C to the push rod end.
- (2) Place the piston and connecting rod assembly on the special tool, Piston Pin Setting Base, with the front mark facing upward.
- (3) Using a press, remove the piston pin.

NOTE

Keep the disassembled pistons, piston pins and connecting rods in order according to the cylinder number.





INSTALLATION SERVICE POINTS

▶A◀ PISTON PIN INSTALLATION

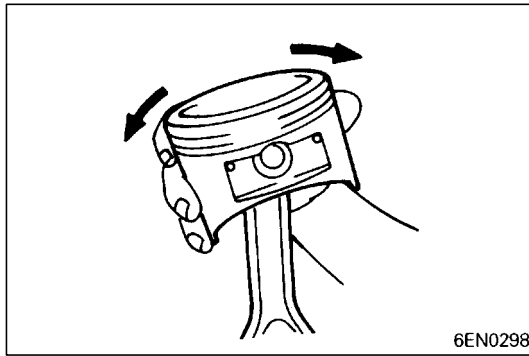
- (1) Measure the following dimensions of the piston, piston pin and connecting rod.
 A: Piston pin insertion hole length
 B: Distance between piston bosses
 C: Piston pin length
 D: Connecting rod small end width
- (2) Obtain dimension L (to be used later) from the above measurements by using by following formula.

$$L = \frac{(A - C) - (B - D)}{2}$$

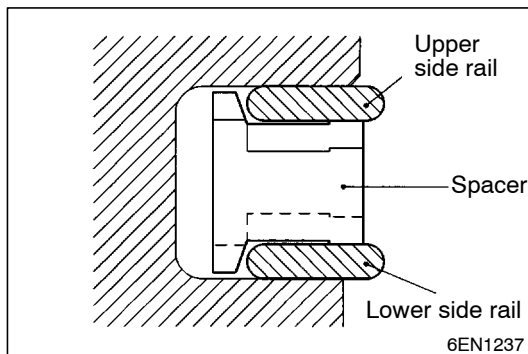
- (3) Insert the special tool, Push Rod, into the piston pin and attach the guide A to the push rod end.
- (4) Assemble the connecting rod in the piston with their front marks facing the same direction.
- (5) Apply engine oil to the entire periphery of the piston pin.
- (6) Insert the piston pin, push rod and guide A assembly having assembled in step (3) from the guide A side into the piston pin hole on the front marked side.
- (7) Screw the guide B into the guide A until the gap between both guides amounts to the value L obtained in step (2) plus 3 mm.

- (8) Place the piston and connecting rod assembly onto the piston setting base with the front marks directed upward.
- (9) Press-fit the piston pin using a press.
 If the press-fitting force required is less than the standard value, replace the piston and piston pin set or/and the connecting rod.

Standard value: 7,350 - 17,200 N



(10) Check that the piston moves smoothly



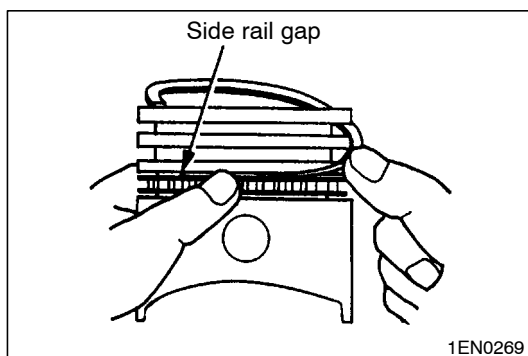
▶B◀ OIL RING INSTALLATION

(1) Fit the oil ring spacer into the piston ring groove.

NOTE

1. The side rails and spacer may be installed in either direction.
2. New spacers and side rails are colored for identification of their sizes.

Size	Identification color
Standard	None
0.50 mm oversize	Red
1.00 mm oversize	Yellow



(2) Install the upper side rail.

To install the side rail, first fit one end of the rail into the piston groove, then press the remaining portion into position by finger. See illustration.

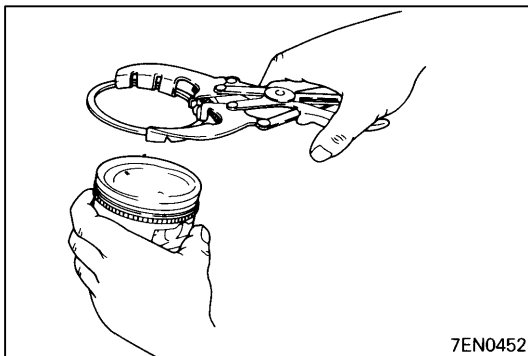
Use of ring expander to expand the side rail end gap can break the side rail, unlike other piston rings.

Caution

- Do not use piston ring expander when installing side rail.

(3) Install the lower side rail in the same procedure as described in step (2).

(4) Make sure that the side rails move smoothly in either direction.



7EN0452

►C◄ PISTON RING NO. 2 / PISTON RING NO. 1 INSTALLATION

- (1) Using piston ring expander, fit No. 2 and then No. 1 piston ring into position.

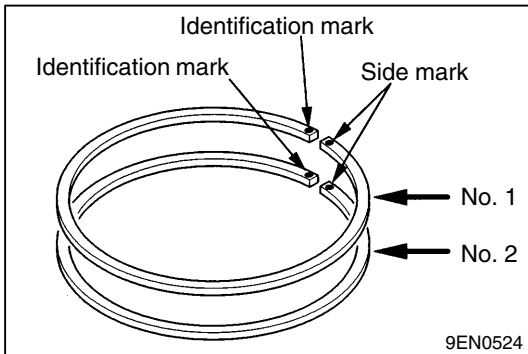
NOTE

1. The ring end is provided with identification mark.

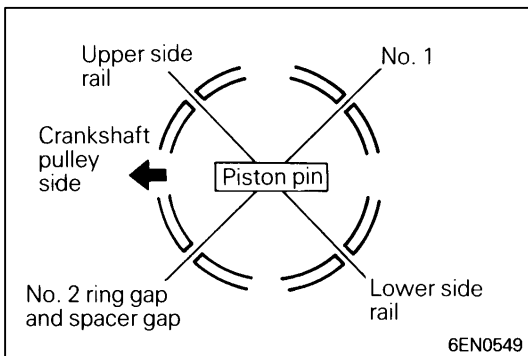
Item		Identification mark
No. 1 ring	SOHC	1R
	4G64 GDI	T
No. 2 ring	SOHC	2R
	4G64 GDI	2T

2. Install piston rings with identification mark facing up, to the piston crown side.
3. Size marks on position rings are as follows.

Size	Size mark
Standard	None
0.50 mm oversize	50
1.00 mm oversize	100



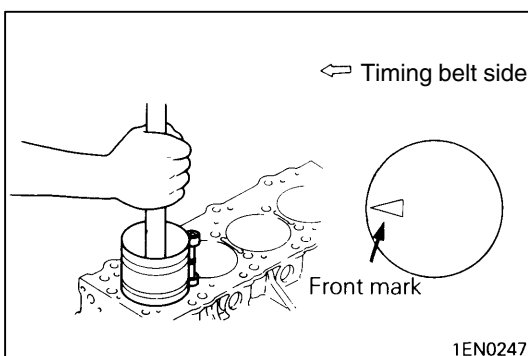
9EN0524



6EN0549

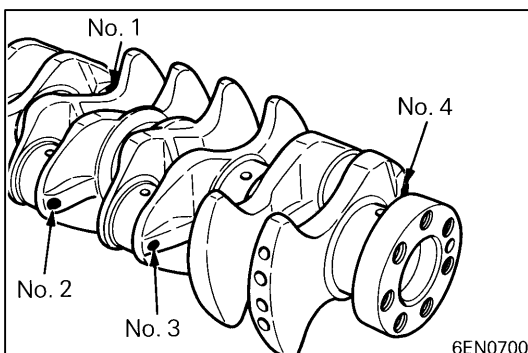
►D◄ PISTON AND CONNECTING ROD ASSEMBLY INSTALLATION

- (1) Liberally coat engine oil on the circumference of the piston, piston ring, and oil ring.
- (2) Arrange the piston ring and oil ring gaps (side rail and spacer) as shown in the figure.
- (3) Rotate the crankshaft so that crank pin is on the center of cylinder bore.



1EN0247

- (4) Use suitable thread protectors on the connecting rod bolts before inserting piston and connecting rod assembly into the cylinder block.
Care must be taken not to nick the crank pin.
- (5) Using a suitable piston ring compressor tool, install the piston and connecting rod assembly into the cylinder block.

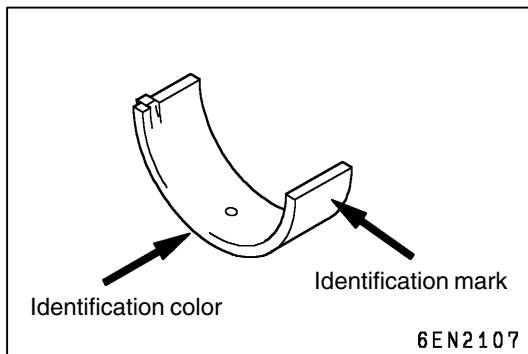
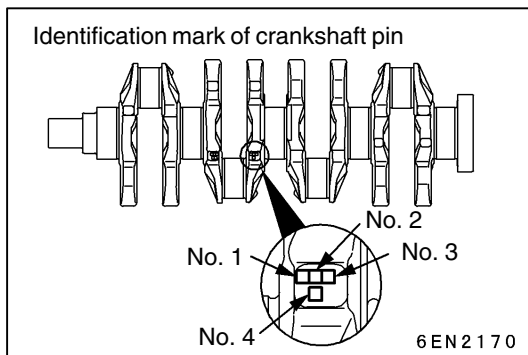


6EN0700

►E◄ CONNECTING ROD BEARINGS INSTALLATION

When the bearing needs replacing, select and install a proper bearing by the following procedure.

- (1) Measure the crankshaft pin diameter and confirm its classification from the following table. In the case of a crankshaft supplied as a service part, identification colors of its pins are painted at the positions shown in the illustration.



(2) The connecting rod bearing identification mark is stamped at the position shown in the illustration.

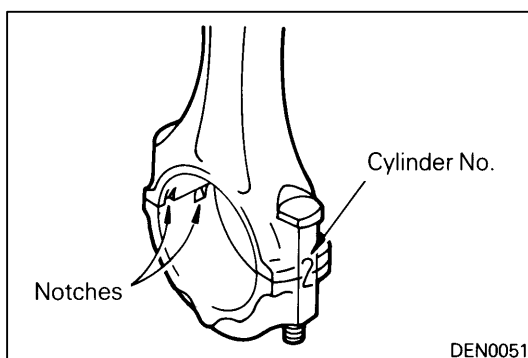
Crankshaft pin			Connecting rod bearing	
Classification	Identification color or mark	O. D. mm	Identification mark or color	Thickness mm
1	Yellow or I	44.995 – 45.000	1 or Yellow	1.487 – 1.491
2	None or II	44.985 – 44.995	2 or None	1.491 – 1.495
3	White or III	44.980 – 44.985	3 or Blue	1.495 – 1.499

Connecting rod I.D.: 48.000 – 48.015 mm

(3) Select a proper bearing from the above table on the basis of the identification data confirmed under items (1) and (2).

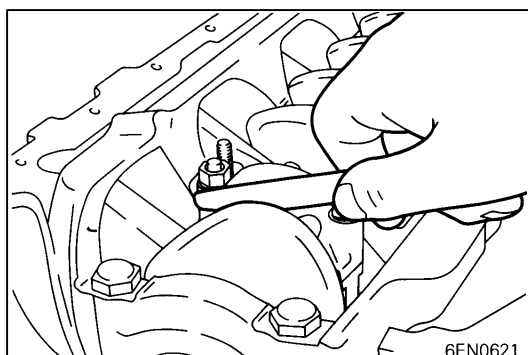
[Example]

If the measured value of a crankshaft pin outer diameter is 44.996 mm, the pin is classified as “1” in the table. In case the crankshaft is also replaced by a spare part, check the identification colors of the pins painted on the new crankshaft. If the color is yellow, for example, the pin is classified as “1” or “yellow”. In the above cases, select the connection rod bearing having identification mark “1” or “yellow”.



▶F◀ CONNECTING ROD CAP NUT INSTALLATION

(1) Verifying the mark made during disassembly, install the bearing cap to the connecting rod. If the connecting rod is new with no index mark, make sure that the bearing locking notches come on the same side as shown.



(2) Make sure that the connecting rod big end side clearance meets the specification.

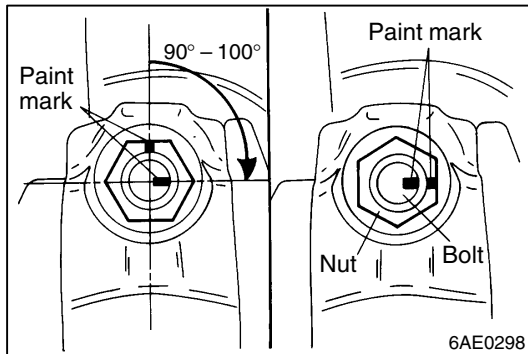
Standard value: 0.10 – 0.25 mm

Limit: 0.4 mm

▶G◀CONNECTING ROD CAP NUT INSTALLATION

Caution

- If the cylinder head has been installed before installing the connecting rod cap nut, be sure to remove the spark plugs.
- (1) Since the connecting rod cap bolts and nuts are torqued using the plastic area tightening method, the bolts should be examined BEFORE reuse. If the bolt threads are “necked down”, the bolt should be replaced. Necking can be checked by running a nut with fingers to the full length of the bolt threads. If the nut does not run down smoothly, the bolt should be replaced.
 - (2) Before installation of each nut, apply engine oil to the thread portion and bearing surface of the nut.
 - (3) Install each nut to the bolt and tighten it with fingers. Then tighten the nuts alternately to install the cap properly.
 - (4) Tighten the nuts to a torque of 20 Nm.
 - (5) Make a paint mark on the head of each nut.
 - (6) Make a paint mark on the bolt end at the position 90° to 100° from the paint mark made on the nut in the direction of tightening the nut.
 - (7) Give a 90° to 100° turn to the nut and make sure that the paint mark on the nut and that on the bolt are in alignment.



Caution

- If the nut is turned less than 90°, proper fastening performance may not be expected. When tightening the nut, therefore, be careful to give a sufficient turn to it.
- If the nut is overtightened (exceeding 100°), loosen the nut completely and then retighten it by repeating the tightening procedure from step (1).

INSPECTION

PISTON RING

- (1) Check the piston ring for damage, excessive wear, and breakage and replace if defects are evident. If the piston has been replaced with a new one, the piston rings must also be replaced with new ones.
- (2) Check for the clearance between the piston ring and ring groove. If the limit is exceeded, replace the ring or piston, or both.

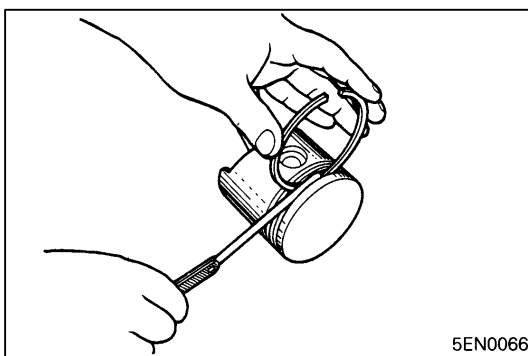
<Except From 2004 model SPACE WAGON>

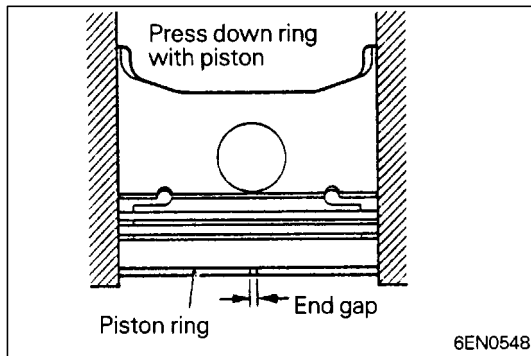
Standard value: 0.02 – 0.06 mm

Limit: 0.1 mm

<From 2004 model SPACE WAGON>

Standard value: 0.03 – 0.07 mm





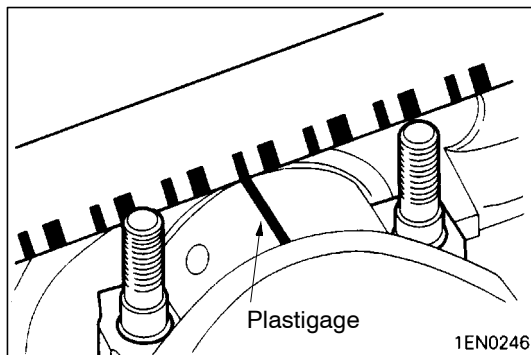
- (3) Install the piston ring into the cylinder bore. Force it down with a piston, its crown being in contact with the ring, to correctly position it at right angles to the cylinder wall. Then, measure the end gap with a feeler gauge. If the ring gap is excessive, replace the piston ring.

Standard value:

No. 1 ring	0.25 - 0.35 mm
No. 2 ring	0.40 - 0.55 mm
Oil ring	0.10 - 0.40 mm

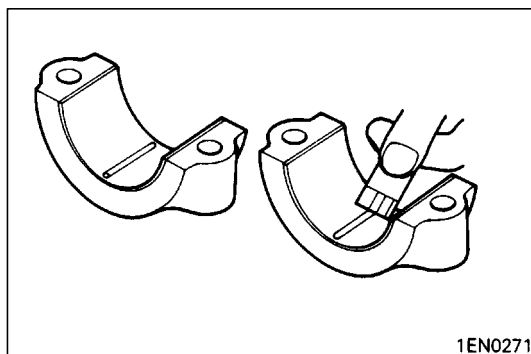
Limit:

No. 1, No. 2 ring	0.8 mm
Oil ring	1.0 mm



**CRANKSHAFT PIN OIL CLEARANCE
(PLASTIGAGE METHOD)**

- (1) Remove oil from the crankshaft pin and connecting rod bearing.
 (2) Cut the Plastigage to the same length as the width of the bearing and place it on the crankshaft pin in parallel with its axis.



- (3) Install the connecting rod cap carefully and tighten the nuts to specified torque.
 (4) Carefully remove the connecting rod cap.
 (5) Measure the width of the Plastigage at its widest part by using a scale printed on the Plastigage package.

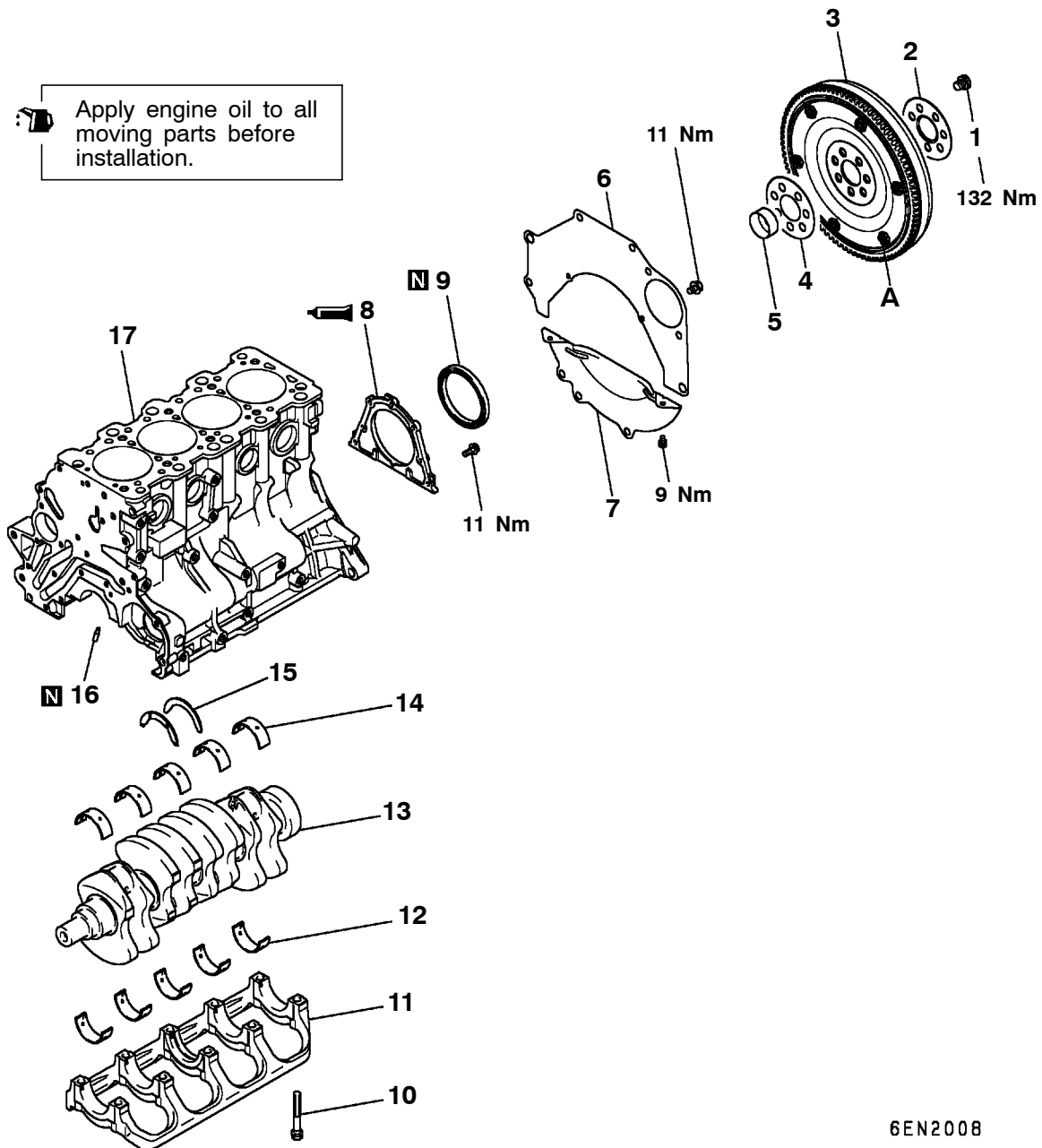
Standard value: 0.02 - 0.05 mm

Limit: 0.1 mm

12. CRANKSHAFT, FLYWHEEL AND DRIVE PLATE

REMOVAL AND INSTALLATION (MANUAL TRANSMISSION)

Apply engine oil to all moving parts before installation.



6EN2008

Removal steps

1. Flywheel bolt
2. Adapter plate
3. Flexible flywheel
4. Adapter plate
5. Crankshaft bushing
6. Rear plate
7. Bell housing cover
8. Oil seal case
9. Oil seal
10. Bearing cap bolt
11. Bearing cap
12. Crankshaft bearing, lower
13. Crankshaft
14. Crankshaft bearing, upper
15. Crankshaft thrust bearing <GDI engine>
16. Oil jet <GDI engine>
17. Cylinder block


- B◄ 15. Crankshaft thrust bearing <GDI engine>
- ◄A► ►A◄ 16. Oil jet <GDI engine>
17. Cylinder block

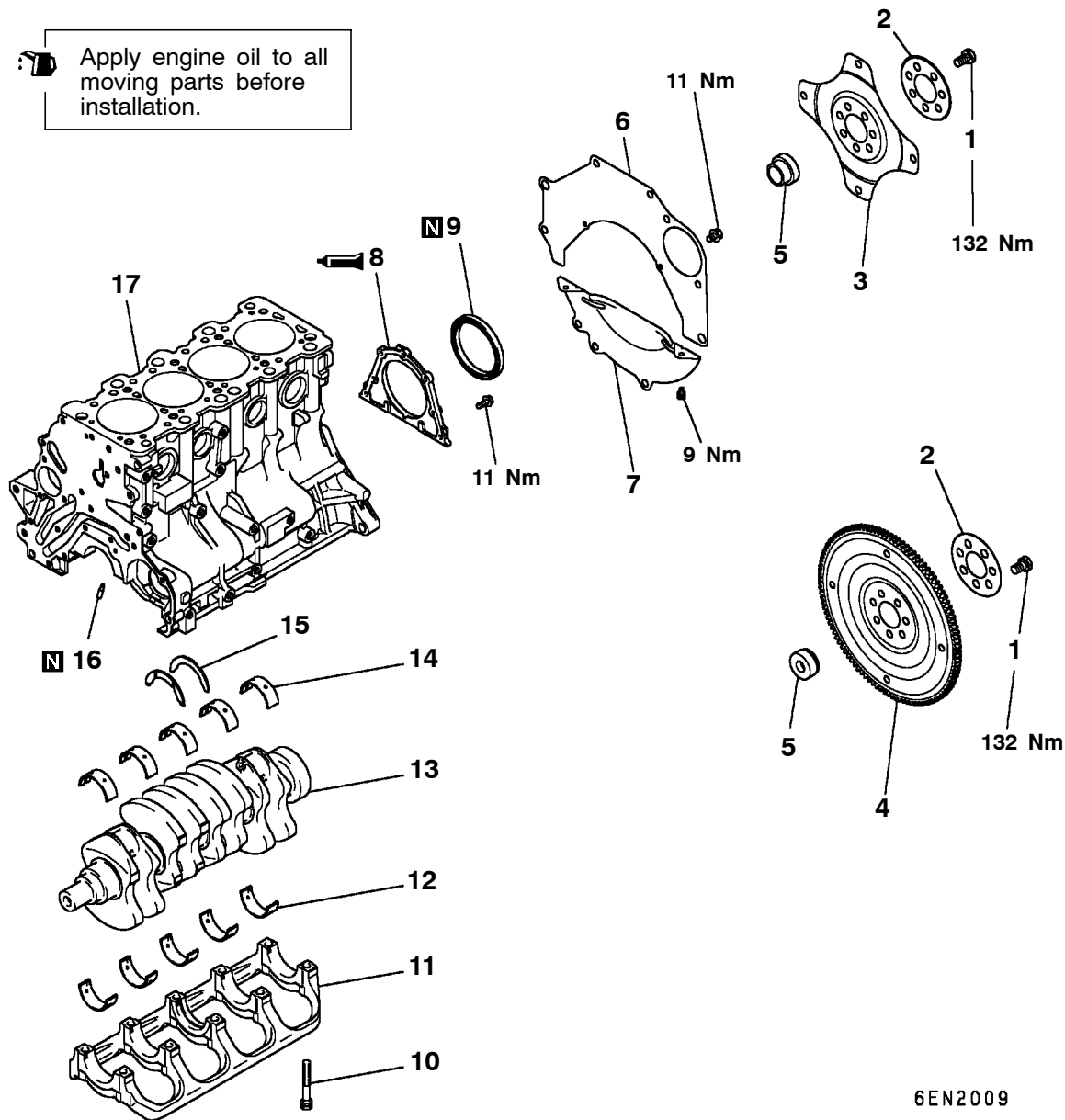
Caution

On the flexible wheel equipped engines, do not remove any of the bolts "A" of the flywheel shown in the illustration.

The balance of the flexible flywheel is adjusted in an assembled condition. Removing the bolt, therefore, can cause the flexible flywheel to be out of balance, giving damage to the flywheel.

REMOVAL AND INSTALLATION (AUTOMATIC TRANSMISSION)

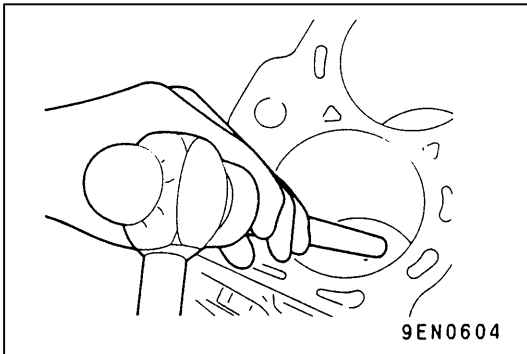
 Apply engine oil to all moving parts before installation.



6EN2009

Removal steps

- | | |
|--------------------------------------------------------------------------------------------------------------------------------------|-----------------------------------------------------|
| 1. Drive plate bolt | 7. Bell housing cover |
| 2. Adapter plate | F 8. Oil seal case |
| 3. Drive plate (GDI engine and up to 2000 model GALANT with SOHC engine, From 2001 model GALANT for General Export with SOHC engine) | E 9. Oil seal |
| 4. Drive plate (SPACE RUNNER with SOHC engine, SPACE WAGON with SOHC engine, From 2001 model GALANT for Europe) | D 10. Bearing cap bolt |
| 5. Crankshaft bushing | D 11. Bearing cap |
| 6. Rear plate | C 12. Crankshaft bearing, lower |
| | 13. Crankshaft |
| | C 14. Crankshaft bearing, upper |
| | B 15. Crankshaft thrust bearing <GDI engine> |
| | A 16. Oil jet <GDI engine> |
| | 17. Cylinder block |



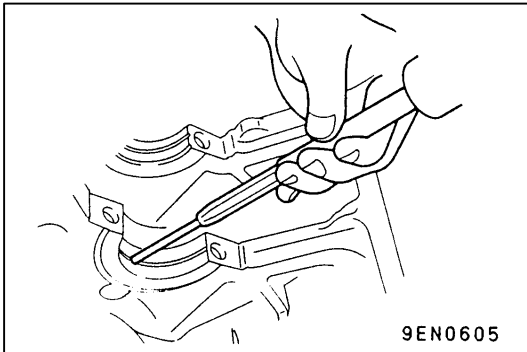
REMOVAL SERVICE POINT

◀A▶ OIL JET REMOVAL

- (1) Knock out the oil jets using an appropriate metal rod.

Caution

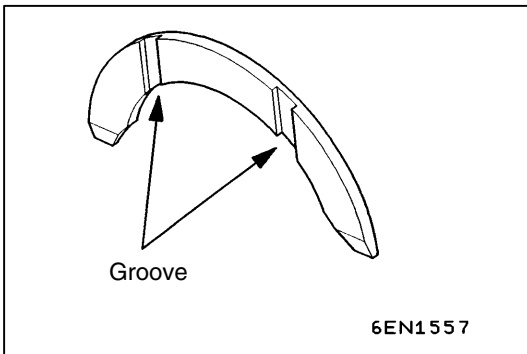
- Be careful not to scratch the cylinder wall.
- Do not reuse the removed oil jets.



INSTALLATION SERVICE POINTS

▶A◀ OIL JET INSTALLATION

- (1) Using a 4.5 mm diameter pin punch, drive in the oil jet to the crankshaft journal until it seats to the bottom.

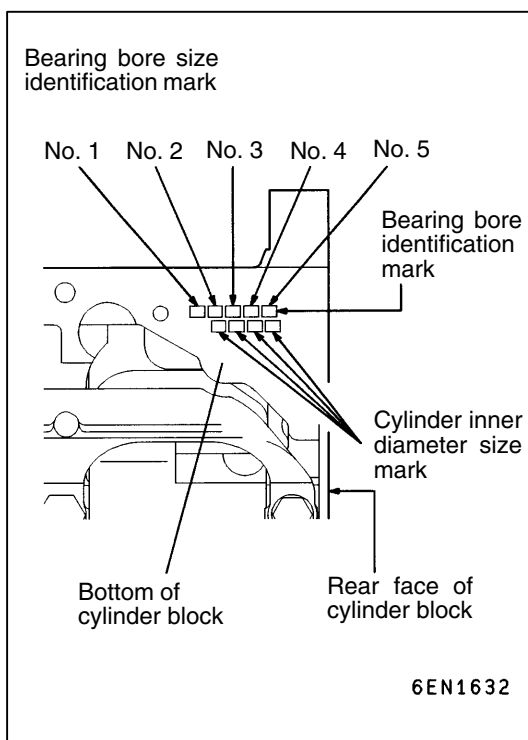
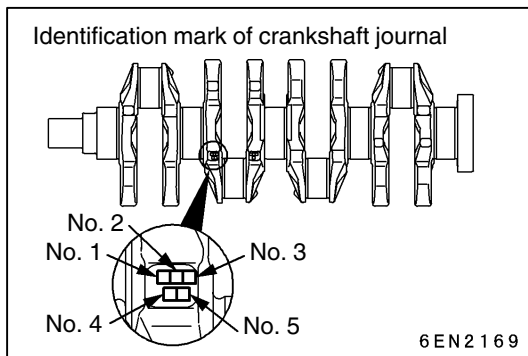
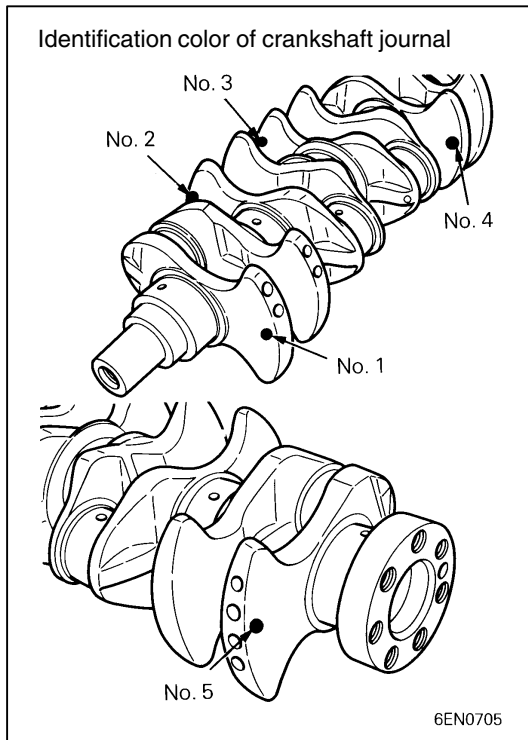


▶B◀ CRANKSHAFT THRUST BEARING INSTALLATION

- (1) Install the two thrust bearing in the number 3 bearing bore in the cylinder block. For easier installation, apply engine oil to the bearings; this will help hold them in position.
- (2) The thrust bearings must be installed with their groove side toward the crankshaft web.

►◀CRANKSHAFT BEARING INSTALLATION

- (1) Measure the crankshaft journal diameter and confirm its classification from the following table. In the case of a crankshaft supplied as a service part, identification colors/marks of its journals are painted/stamped at the positions shown in the illustration.

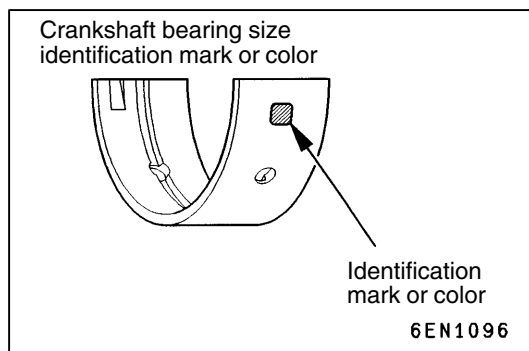


Type 1 (when No.3 bearing is integrated with thrust bearing)

Crankshaft journal outside diameter		Cylinder block bearing bore	Crankshaft bearing
Identification color or mark	Size mm	Identification mark	Identification mark or color
Yellow or 0	56.994 – 57.000	0	1 or Green
		1	2 or Yellow
		2	3 or None
None or 1	56.988 – 56.994	0	2 or Yellow
		1	3 or None
		2	4 or Blue
White or 2	56.982 – 56.988	0	3 or None
		1	4 or Blue
		2	5 or Red

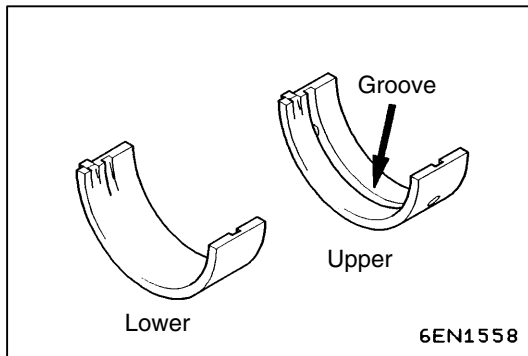
Type 2 (when No.3 bearing is not integrated with thrust bearing)

Crankshaft journal outside diameter		Cylinder block bearing bore	Crankshaft bearing for No. 1, 2, 4, 5	Crankshaft bearing for No. 3
Identification color or mark	Size mm	Identification mark	Identification mark or color	Identification mark or color
Yellow or 0	56.994 – 57.000	0	1 or Green	0 or Black
		1	2 or Yellow	1 or Green
		2	3 or None	2 or Yellow
None or 1	56.988 – 56.994	0	2 or Yellow	1 or Green
		1	3 or None	2 or Yellow
		2	4 or Blue	3 or None
White or 2	56.982 – 56.988	0	3 or None	2 or Yellow
		1	4 or Blue	3 or None
		2	5 or Red	4 or Blue



For example, if the crankshaft journal outside diameter ID color is “yellow” and cylinder block bearing bore ID mark is “1”, select a bearing whose ID mark is “2” or ID color is “yellow” for number 1, 2, 4 and 5, and a bearing whose ID mark is “1” or ID color is “green” for number 3.

If there is no ID color paint on the crankshaft, measure the journal outside diameter and select a bearing appropriate for the measured value.

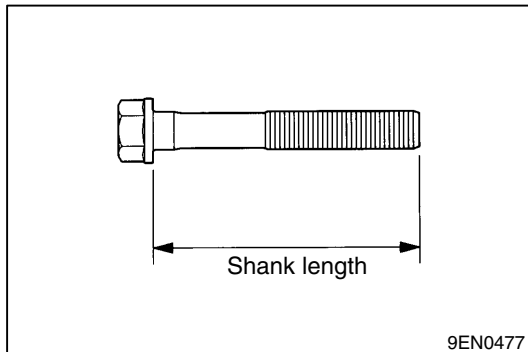


- (2) Install the bearings having an oil groove to the cylinder block.

NOTE

The No.3 bearing integrated with thrust bearing has no oil groove.

- (3) Install the bearings having no oil groove to the bearing cap.

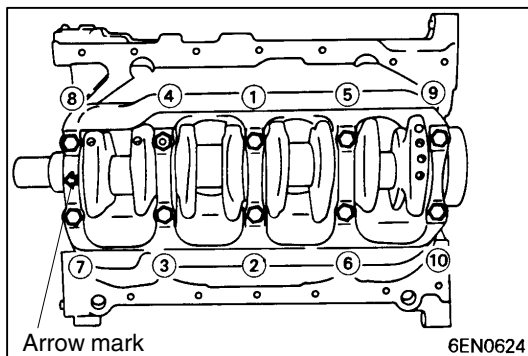


▶D◀ BEARING CAP / BEARING CAP BOLT INSTALLATION

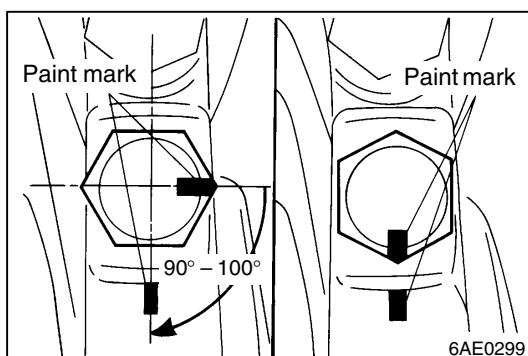
- (1) Install the bearing caps so the arrow points to the timing belt side.
- (2) Before installing the bearing cap bolts, check that the shank length of each bolt meets the limit. If the limit is exceeded, replace the bolt.

Limit: Max. 71.1 mm

- (3) Apply engine oil to the threaded portion and bearing surface of the bolt.



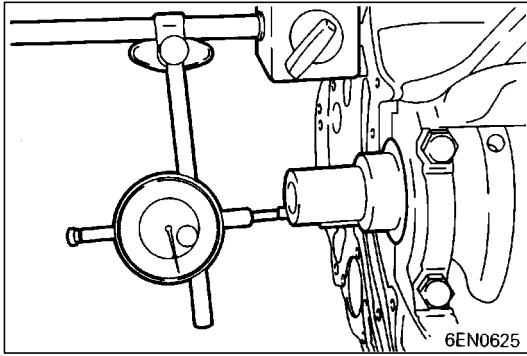
- (4) Tighten the bolts to 25 Nm in the specified tightening sequence.



- (5) Make a paint mark on the head of each bolt.
- (6) Make a paint mark on the bearing cap at the position 90° to 100° from the paint mark made on the bolt in the direction of tightening the bolt.
- (7) According to the specified tightening sequence, give a 90° to 100° turn to each bolt and make sure that the paint mark on the bolt and that on the cap are in alignment.

Caution

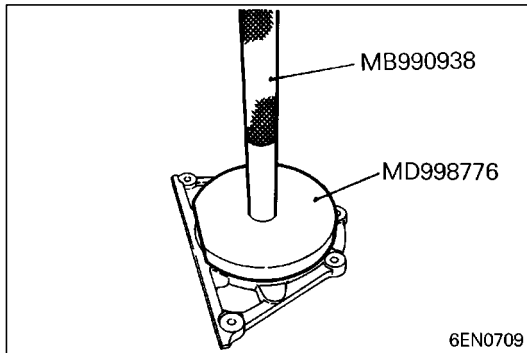
- If the bolt is turned less than 90°, proper fastening performance may not be expected. When tightening the bolt, therefore, be careful to give a sufficient turn to it.
- If the bolt is overtightened (exceeding 100°), loosen the bolt completely and then retighten it by repeating the tightening procedure from step (1).



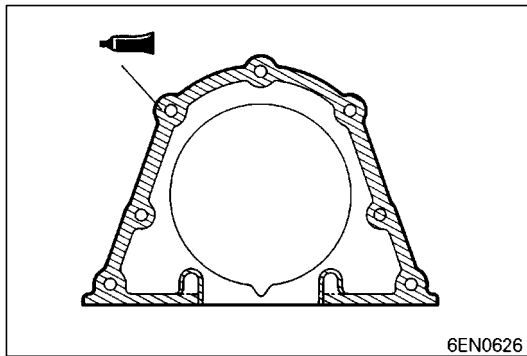
- (8) After installing the bearing caps, make sure that the crankshaft turns smoothly and the end play is correct. If the end play exceeds the limit, replace No. 3 crankshaft bearings.

Standard value: 0.05 - 0.18 mm

Limit: 0.25 mm



►E◄ OIL SEAL INSTALLATION



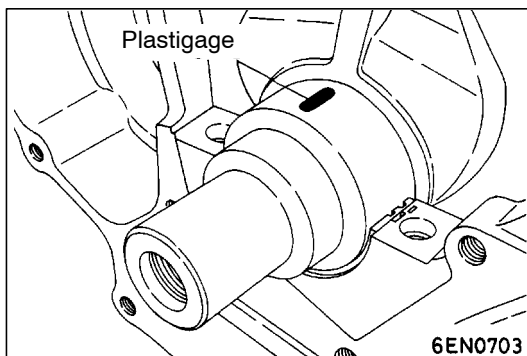
►F◄ SEALANT APPLICATION TO OIL SEAL CASE

Specified sealant:

Mitsubishi Genuine Part No. MD970389 or equivalent

NOTE

- (1) Be sure to install the case quickly while the sealant is wet (within 15 minutes).
- (2) After installation, keep the sealed area away from the oil and coolant for approx. one hour.



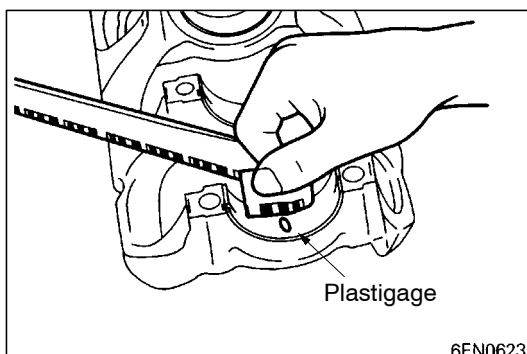
INSPECTION

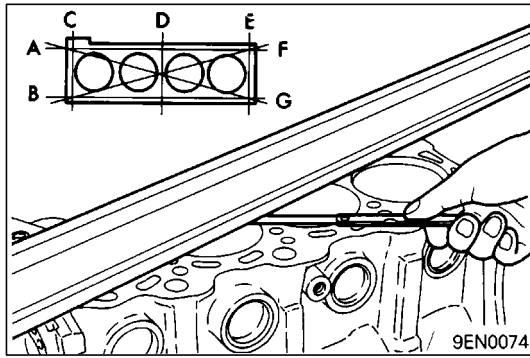
CRANKSHAFT OIL CLEARANCE (PLASTIGAGE METHOD)

- (1) Remove oil from the crankshaft journal and the crankshaft bearing.
- (2) Install the crankshaft.
- (3) Cut the Plastigage to the same length as the width of the bearing and place it on the journal in parallel with its axis.
- (4) Install the crankshaft bearing cap carefully and tighten the bolts to the specified torque.
- (5) Carefully remove the crankshaft bearing cap.
- (6) Measure the width of the Plastigage at its widest part by using a scale printed on the Plastigage package.

Standard value: 0.02 - 0.04 mm

Limit: 0.1 mm





CYLINDER BLOCK

- (1) Visually check for scratches, rust, and corrosion. Use also a flaw detecting agent for the check. If defects are evident, correct, or replace.
- (2) Using a straightedge and feeler gauge, check the block top surface for warpage. Make sure that the surface is free from gasket chips and other foreign matter.

Standard value: 0.05 mm

Limit: 0.1 mm

- (3) If the distortion is excessive, correct within the allowable limit or replace.

Grinding limit: 0.2 mm

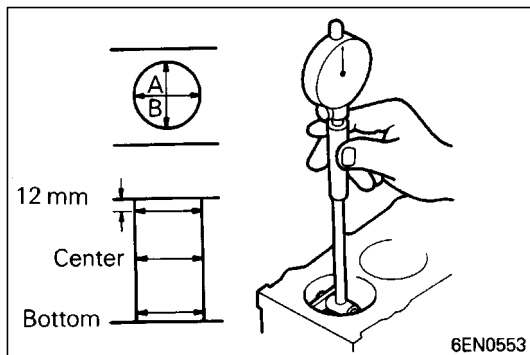
Includes/combined with cylinder head grinding

Cylinder block height (when new):

4G63 284 mm

4G64 290 mm

- (4) Check cylinder walls for scratches and seizure. If defects are evident, correct (bored to oversize) or replace.



- (5) Using cylinder gauge, measure the cylinder bore and cylindricity. If worn badly, correct cylinder to an oversize and replace piston and piston rings. Measure at the points shown in illustration.

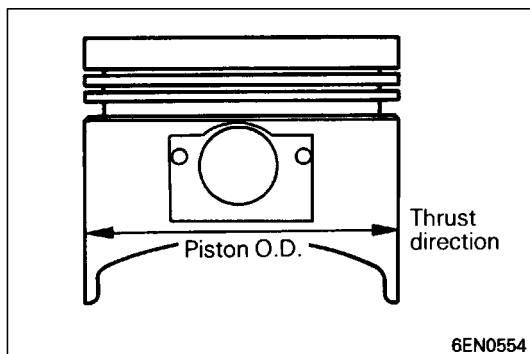
Standard value:

Cylinder I.D.

4G63 85.00 - 85.03 mm

4G64 86.50 - 86.53 mm

Cylindricity 0.01 mm or less



BORING CYLINDER

- (1) Oversize pistons to be used should be determined on the basis of the largest bore cylinder.

Piston size identification

Size	Identification mark
0.50 O.S.	0.50
1.00 O.S.	1.00

NOTE

Size mark is stamped on the piston top.

- (2) Measure outside diameter of piston to be used. Measure it in thrust direction as shown.
- (3) Based on the measured piston O.D. calculate boring finish dimension.

Boring finish dimension = Piston O.D. + (clearance between piston O.D. and cylinder) - 0.02 mm (honing margin)

- (4) Bore all cylinders to the calculated boring finish dimension.

Caution

- To prevent distortion that may result from temperature rise during honing, bore cylinders, working from No. 2, No. 4, No. 1 to No. 3.

- (5) Hone to final finish dimension (piston O.D. + clearance between piston O.D. and cylinder).
- (6) Check clearance between piston and cylinder.

Clearance between piston and cylinder:

0.02 - 0.04 mm

NOTE

When boring cylinders, finish all of four cylinders to same oversize. Do not bore only one cylinder to an oversize.

NOTES


Service Bulletins

Click on the applicable bookmark to select the Service Bulletin.



SERVICE BULLETIN

QUALITY INFORMATION ANALYSIS
OVERSEAS SERVICE DEPT. MITSUBISHI MOTORS CORPORATION

SERVICE BULLETIN		No.: MSB-01E11-501	
		Date: 2001-11-13	<Model> <M/Y>
Subject: CORRECTION TO CRANKSHAFT BEARING INSTALLATION PROCEDURES		(EC)GALANT(E50-80,EA0)	93-10
Group: ENGINE		Draft No.: 00EN622018	(EC)ECLIPSE(D20,30)
			(EC)SPACE RUNNER
			(N10,20,60)
			(EC)SPACE WAGON
			(N30,40,80,90)
			(EC)L200 (K00T,K30T, K60,70)
			(EC)L300(P00)
			(EC)L400(PA0~PD0)
			(EC)PAJERO/MON- TERO(V10-40)
CORRECTION	INTERNATIONAL CAR ADMINISTRATION OFFICE	 T.MASAKI-MANAGER TECHNICAL SERVICE PLANNING	

1. Description:

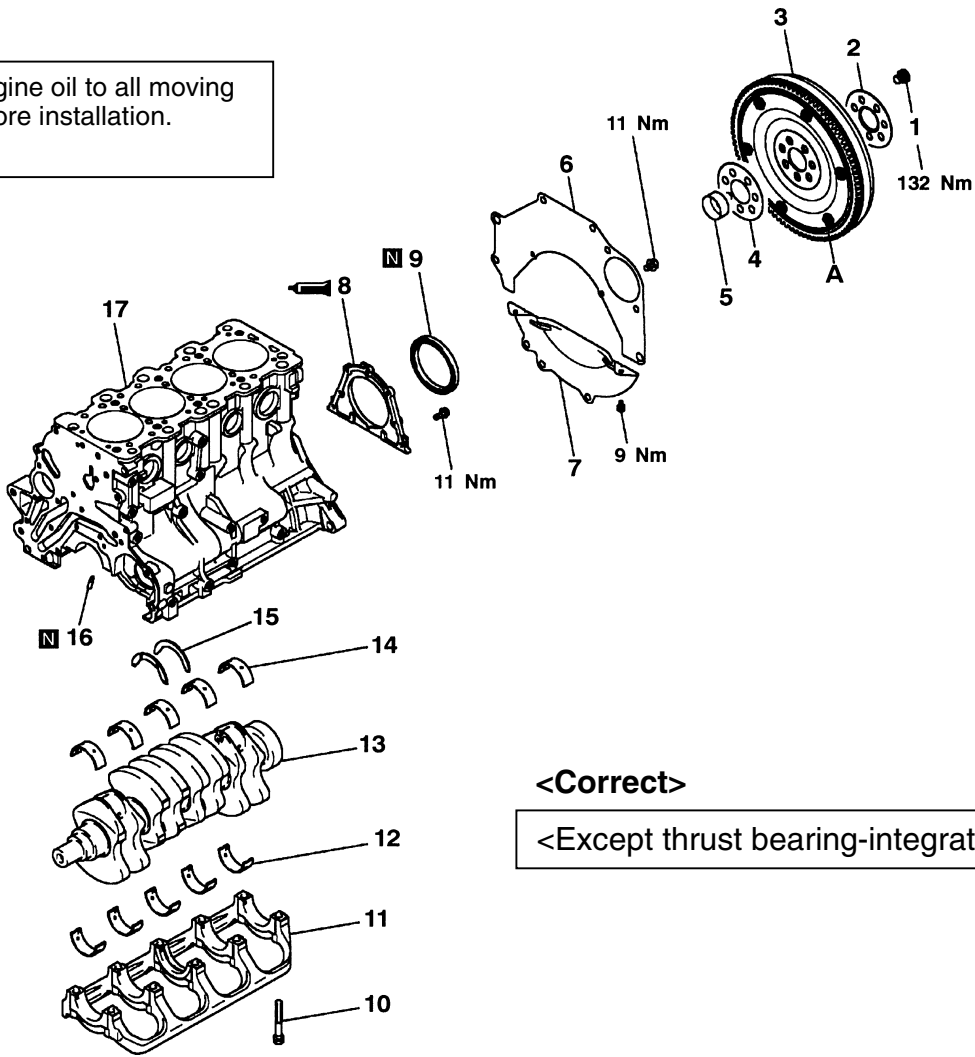
Correction has been made to the installation procedures for the 4G6 engine crankshaft bearings.

2. Applicable Manuals:

Manual	Pub. No.	Language	Page(s)
ENGINE 4G6 (E-W) Workshop Manual	PWEE9616	(English)	11A-12-1
	PWES9617	(Spanish)	11A-12-1a
	PWEF9618	(French)	11A-12-3
	PWEG9619	(German)	11A-12-4
	PWED9620	(Dutch)	
	PWEW9621	(Swedish)	
ENGINE 4G6 (W-E) Workshop Manual	PWEE9037	(English)	11B-12-1
	PWES9038	(Spanish)	11B-12-4
	PWEF9039	(French)	11B-12-5
	PWEG9040	(German)	
	PWED9041	(Dutch)	
	PWEW9042	(Swedish)	

12. CRANKSHAFT, FLYWHEEL AND DRIVE PLATE REMOVAL AND INSTALLATION (MANUAL TRANSMISSION)

Apply engine oil to all moving parts before installation.



<Correct>
<Except thrust bearing-integrated type>

6EN2008

- ▶B◀ 15. Crankshaft thrust bearing <GDI engine>
- ◀A▶ ▶A◀ 16. Oil jet <GDI engine>
- 17. Crankshaft

<Incorrect>

Removal steps

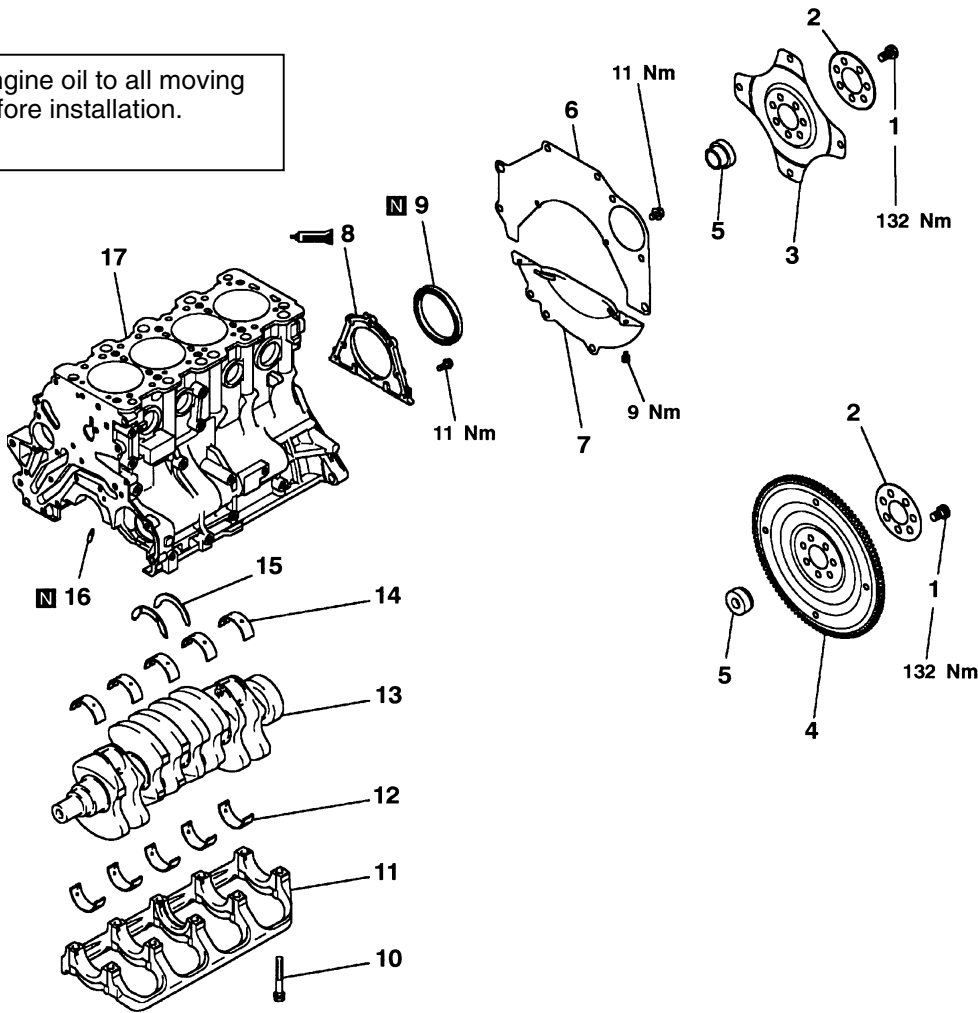
- 1. Flywheel bolt
- 2. Adapter plate
- 3. Flexible flywheel
- 4. Adapter plate
- 5. Crankshaft bushing
- 6. Rear plate
- 7. Bell housing cover
- ▶F◀ 8. Oil seal case
- ▶E◀ 9. Oil seal
- ▶D◀ 10. Bearing cap bolt
- ▶D◀ 11. Bearing cap
- ▶C◀ 12. Crankshaft bearing, lower
- ▶C◀ 13. Crankshaft
- ▶C◀ 14. Crankshaft bearing, upper

Caution

On the flexible wheel equipped engines, do not remove any of the bolts "A" of the flywheel shown in the illustration.
The balance of the flexible flywheel is adjusted in an assembled condition. Removing the bolt, therefore, can cause the flexible flywheel to be out of balance, giving damage to the flywheel.

REMOVAL AND INSTALLATION (AUTOMATIC TRANSMISSION)

Apply engine oil to all moving parts before installation.



Removal steps

1. Drive plate bolt
2. Adapter plate
3. Drive plate (GDI engine and up to 2000 model GALANT with SOHC engine, From 2001 model GALANT for General Export with SOHC engine)
4. Drive plate (SPACE RUNNER with SOHC engine, SPACE WAGON with SOHC engine, From 2001 model GALANT for Europe)
5. Crankshaft bushing
6. Rear plate

7. Bell housing cover
8. Oil seal case
9. Oil seal
10. Bearing cap bolt
11. Bearing cap
12. Crankshaft bearing, lower
13. Crankshaft
14. Crankshaft bearing, upper
15. Crankshaft thrust bearing
16. Oil jet <GDI engine>
17. Cylinder block

◀A▶

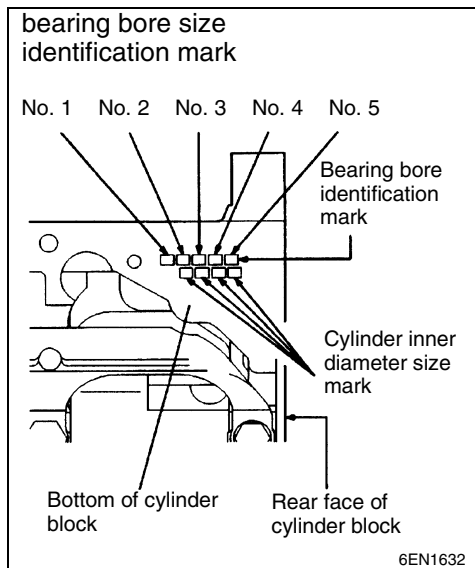
▶F◀
 ▶E◀
 ▶D◀
 ▶D◀
 ▶C◀
 ▶C◀
 ▶B◀
 ▶A◀

<Incorrect>
 <GDI engine>

<Correct>

<Except thrust bearing-integrated type>

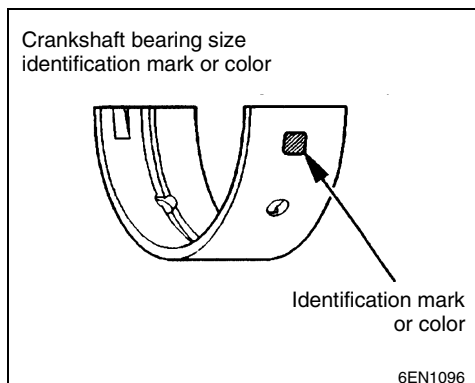
6EN2009



Corrected to following page

<Incorrect>

Crankshaft journal outside diameter		Cylinder block bearing bore	Crankshaft bearing	Crankshaft bearing for No. 3
Identification color	Size mm	Identification mark	Identification mark or color	Identification mark or color
Yellow	56.994 – 57.000	0	1 or Green	0 or Black
		1	2 or Yellow	1 or Green
		2	1 or Green	2 or Yellow
None	56.988 – 56.994	0	2 or Yellow	1 or Green
		1	3 or None	2 or Yellow
		2	2 or Yellow	3 or None
White	56.982 – 56.988	0	3 or None	2 or Yellow
		1	4 or Blue	3 or None
		2	5 or Red	4 or Blue



For example, if the crankshaft journal outside diameter ID color is “yellow” and cylinder block bearing bore ID mark is “1”, select a bearing whose ID mark is “2” or ID color is “yellow” for number 1, 2, 4 and 5, and a bearing whose ID mark is “1” or ID color is “green” for number 3.

If there is no ID color paint on the crankshaft, measure the journal outside diameter and select a bearing appropriate for the measured value.

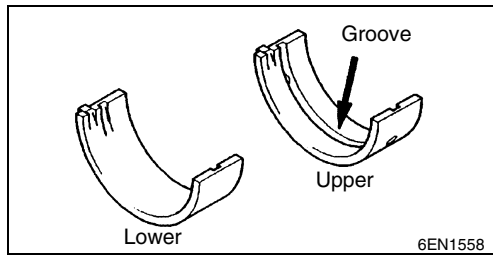
<Correct>

Type 1 (Engine with thrust bearing that is integral with No.3 bearing)

Crankshaft journal outside diameter		Cylinder block bearing bore	Crankshaft bearing
Identification r color	Size mm	Identification mark	Identification mark or color
Yellow	56.994 ~ 57.000	0	1 or Green
		1	2 or Yellow
		2	3 or None
None	56.988 ~ 56.994	0	2 or Yellow
		1	3 or None
		2	4 or Blue
White	56.982 ~ 56.988	0	3 or None
		1	4 or Blue
		2	5 or Red

Type 2 (Engine with thrust bearing that is separate from No.3 bearing)

Crankshaft journal outside diameter		Cylinder block bearing bore	Crankshaft bearing for No. 1, 2, 4, 5	Crankshaft bearing for No. 3
Identification r color	Size mm	Identification mark	Identification mark or color	Identification mark or color
Yellow	56.994 ~ 57.000	0	1 or Green	0 or Black
		1	2 or Yellow	1 or Green
		2	3 or None	2 or Yellow
None	56.988 ~ 56.994	0	2 or Yellow	1 or Green
		1	3 or None	2 or Yellow
		2	4 or Blue	3 or None
White	56.982 ~ 56.988	0	3 or None	2 or Yellow
		1	4 or Blue	3 or None
		2	5 or Red	4 or Blue

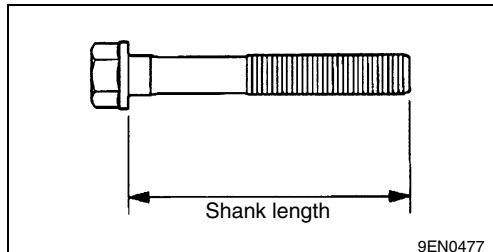


- (2) Install the bearings having an oil groove to the cylinder block.
- (3) Install the bearings having no oil groove to the bearing cap.

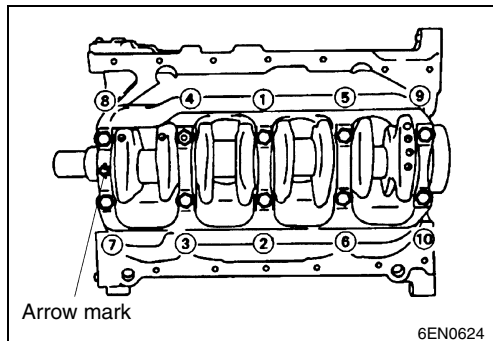
NOTE

The No.3 bearing that is integral with the thrust bearing has no grooves.

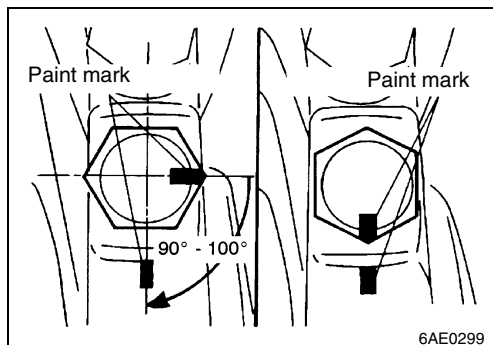
<Added>

**► D ◀ BEARING CAP / BEARING CAP BOLT INSTALLATION**

- (1) Install the bearing caps so the arrow points to the timing belt side.
- (2) Before installing the bearing cap bolts, check that the shank length of each bolt meets the limit. If the limit is exceeded, replace the bolt.

Limit: Max. 71.1 mm

- (3) Apply engine oil to the threaded portion and bearing surface of the bolt.
- (4) Tighten the bolts to 25 Nm in the specified tightening sequence.



- (5) Make a paint mark on the head of each bolt.
- (6) Make a paint mark on the bearing cap at the position 90° to 100° from the paint mark made on the bolt in the direction of tightening the bolt.
- (7) According to the specified tightening sequence, give a 90° to 100° turn to each bolt and make sure that the paint mark on the bolt and that on the cap are in alignment.

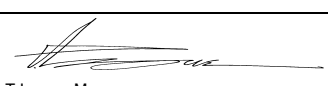
Caution

- If the bolt is turned less than 90°, proper fastening performance may not be expected. When tightening the bolt, therefore, be careful to give a sufficient turn to it.
- If the bolt is overtightened (exceeding 100°), loosen the bolt completely and then retighten it by repeating the tightening procedure from step (1).



SERVICE BULLETIN

QUALITY INFORMATION ANALYSIS
OVERSEAS SERVICE DEPT. MITSUBISHI MOTORS CORPORATION

SERVICE BULLETIN		No.: MSB-02E11-001	
		Date: 2002-05-06	<Model> (EC)GALANT (EA0) (EC)ECLIPSE (D30) (EC)SPACE RUNNER (N60) (EC)SPACE WAGON (N30-N40,N80-N90) (EC)L200 (K60,K70) (EC)L300 (P00) (EC)L400 (PA0-PD0)
Subject: CHANGE IN CRANKSHAFT IDENTIFICATION MARKS AND THEIR POSITIONS ON 4G6, 4D68 ENGINES		<M/Y> 91-01	
Group: ENGINE	Draft No.: 02EN501		
INFORMATION	INTERNATIONAL CAR ADMINISTRATION OFFICE	 T. Inoue - Manager SERVICE PUBLICATION	
1. Description: On the 4G6 and 4D68 engines, the crankshaft identifications marks and their positions have been changed.			
2. Applicable Manuals:			
Manual	Pub. No.	Language	Page(s)
ENGINE 4G6 (W-E) WORKSHOP MANUAL	PWEE9037	(English)	11B-11-8
	PWES9038	(Spanish)	12-4
	PWEF9039	(French)	
	PWEG9040	(German)	
	PWED9041	(Dutch)	
	PWEW9042	(Swedish)	
ENGINE 4G6 (E-W) WORKSHOP MANUAL	PWEE9616	(English)	11A-11-5, 6
	PWES9617	(Spanish)	12-2, 3
	PWEF9618	(French)	
	PWEG9619	(German)	
	PWED9620	(Dutch)	
	PWEW9621	(Swedish)	
ENGINE 4G6 (W-E) WORKSHOP MANUAL	PWEE9073	(English)	11B-12-4
	PWES9674	(Spanish)	13-5
	PWEF9075	(French)	
	PWEG9076	(German)	
	PWED9077	(Dutch)	
	PWEW9078	(Swedish)	

ENGINE 4D6 (E-W) WORKSHOP MANUAL	PWEE9609	(English)	11A-11-2
	PWES9610	(Spanish)	12-2
	PWEF9611	(French)	
	PWEG9612	(German)	
	PWED9613	(Dutch)	
	PWEW9614	(Swedish)	
CD-ROM	PWEH9903R-C (English, Spanish, Swedish) PWEK9904R-C (French, German, Dutch)		

3. Effective Date (Effective Model)

From October 1, 2001

4. Details:

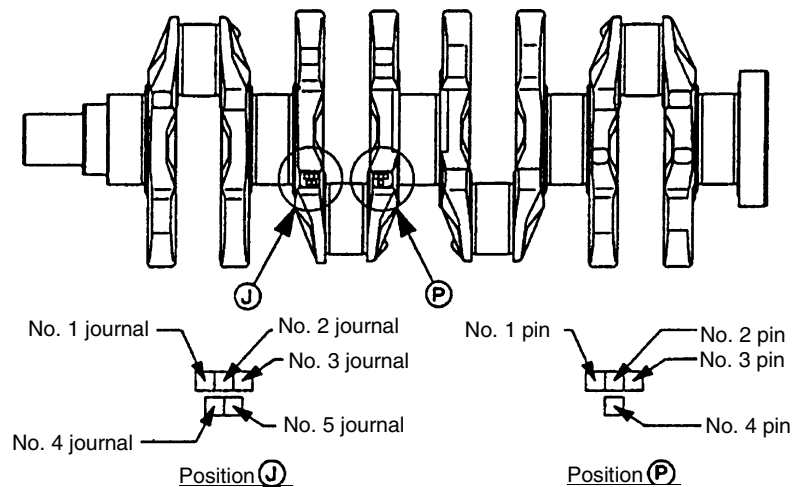
The crankshaft identification marks and their positions have been changed.

<New>

In accordance with the table below, an identification mark has been stamped
On positions J and P.

Journal			Pin		
Classification	ϕD	Identification mark	Classification	ϕd	Identification mark
I	$\phi 57 \begin{smallmatrix} 0 \\ -0.006 \end{smallmatrix}$	0	I	$\phi 45 \begin{smallmatrix} 0 \\ -0.005 \end{smallmatrix}$	I
II	$\phi 57 \begin{smallmatrix} -0.006 \\ -0.012 \end{smallmatrix}$	1	II	$\phi 45 \begin{smallmatrix} -0.005 \\ -0.015 \end{smallmatrix}$	II
III	$\phi 57 \begin{smallmatrix} -0.012 \\ -0.018 \end{smallmatrix}$	2	III	$\phi 45 \begin{smallmatrix} -0.015 \\ -0.020 \end{smallmatrix}$	III

Unit: mm

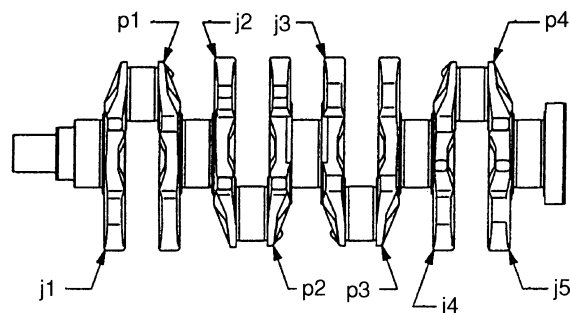


<Old>

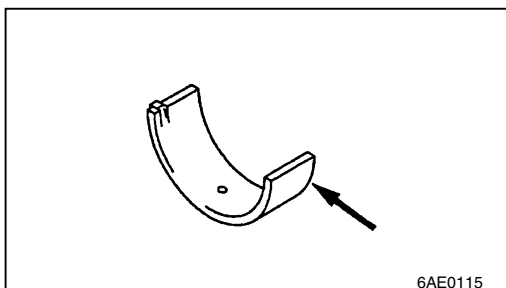
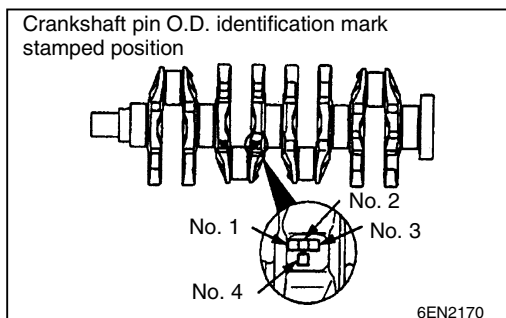
In accordance with the table below, an identification color has been painted at positions j1 through j5 and p1 through p4.

Journal			Pin		
Classification	ϕD	Identification mark	Classification	ϕd	Identification mark
I	$\phi 57 \begin{smallmatrix} 0 \\ -0.006 \end{smallmatrix}$	Yellow	I	$\phi 45 \begin{smallmatrix} 0 \\ -0.005 \end{smallmatrix}$	Yellow
II	$\phi 57 \begin{smallmatrix} -0.006 \\ -0.012 \end{smallmatrix}$	No mark	II	$\phi 45 \begin{smallmatrix} -0.005 \\ -0.015 \end{smallmatrix}$	No mark
III	$\phi 57 \begin{smallmatrix} -0.012 \\ -0.018 \end{smallmatrix}$	White	III	$\phi 45 \begin{smallmatrix} -0.015 \\ -0.020 \end{smallmatrix}$	White

Unit: mm



<Connecting Rod Bearing Installation>



CONNECTING ROD BEARING INSTALLATION

1. When the connecting rod bearing or the crankshaft is replaced, select a bearing of the size that corresponds to the crankshaft pin O.D. in accordance with identification of the crankshaft pin and the connecting rod bearing given in the table below.
2. A crankshaft identification mark is stamped at the illustrated position.
3. A connecting rod bearing identification mark is stamped, or a connecting rod bearing identification color is painted at the illustrated position.

Crankshaft pin		Connecting rod bearing
Identification mark	Pin O.D. mm	Identification mark or color
I	44.995 – 45.005	1 or yellow
II	44.985 – 44.995	2 or none
III	44.980 – 44.985	3 or blue

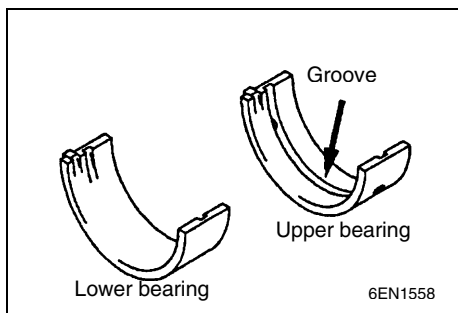
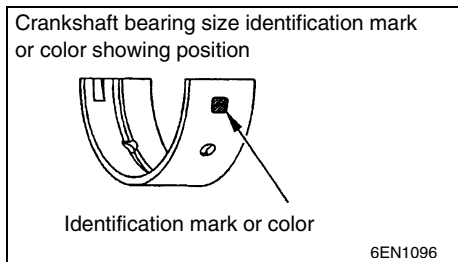
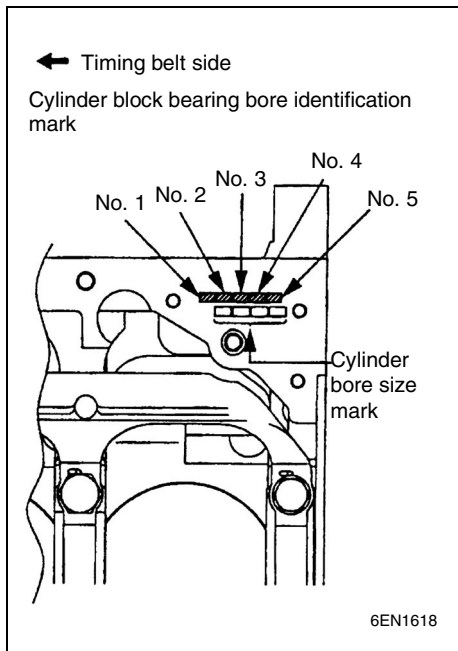
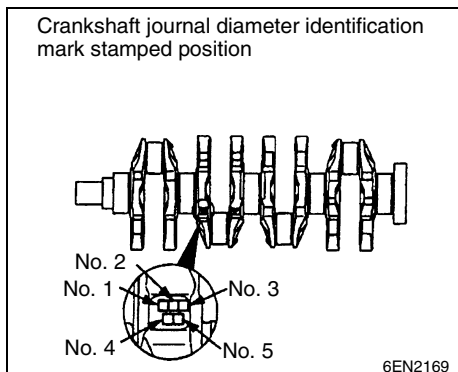
<Example of bearing selection>

When the crankshaft identification mark is I, select a bearing whose identification mark is 1 or whose identification color is yellow.

If crankshaft identification is difficult to make, measure the crankshaft pin O.D. to select a bearing that corresponds to the measurement.

4. Install the selected bearing in the big end and in the cap of the connecting rod.

<Crankshaft Bearing Installation>



CRANKSHAFT BEARING INSTALLATION

1. Select a crankshaft bearing of the size that corresponds to the crankshaft journal diameter in accordance with the tables given below.


<Example of bearing selection>

When the crankshaft journal identification mark is 0 and the cylinder block bearing identification is 1, select a crankshaft bearing (No. 1, 2, 4, 5) whose identification mark is 2 or whose identification color is yellow, and select a bearing (No. 3) whose identification mark is 1 or whose identification color is green. If crankshaft identification is difficult to make, measure the journal I.D. to select a bearing that corresponds to the measurement.

Bearing No. 1, 2, 4, 5			
Crankshaft journal O.D.		Cylinder block bearing	Crankshaft bearing
Identification mark	Journal diameter mm		
0	56.994 – 57.000	0	1 or green
		1	2 or yellow
		2	3 or none
1	56.988 – 56.994	0	2 or yellow
		1	3 or none
		2	4 or blue
2	56.982 – 56.988	0	3 or none
		1	4 or blue
		2	5 or red

Bearing No. 3			
Crankshaft journal O.D.		Cylinder block bearing	Crankshaft bearing
Identification mark	Journal diameter mm		
0	56.994 – 57.000	0	0 or black
		1	1 or green
		2	2 or yellow
1	56.988 – 56.994	0	1 or green
		1	2 or yellow
		2	3 or none
2	56.982 – 56.988	0	2 or yellow
		1	3 or none
		2	4 or blue

2. Install the bearing with an oil groove to the cylinder block.
3. Install the bearing with no oil groove to the bearing cap.

SERVICE BULLETIN		NO. : MSB-03E11-001	
DATE : 2003-01-20		<MODEL> (EUR)CARISMA(DX) (EUR)SPACE RUNNER(DZ) (EUR)SPACE WAGON(DZL) (EUR)GALANT(ST41) (EUR)SPACE STAR (MGX) (EUR)PAJERO PININ(KR) (EUR)PAJERO/ MONTERO(CK)	<M/Y> 97-01
SUBJECT : DISUSE OF INJECTOR BACKUP RINGS IN GDI ENGINES			
GROUP : ENGINE		DRAFTNO. : 02EN516	
INFORMATION	INTERNATIONAL AFTER-SALES DEPARTMENT	 <hr/> T. Kobayashi - Manager SERVICE PUBLICATION & TRAINING	

1. Description:

This service bulletin informs you of disuse of one of the backup rings that has been used in each fuel injector on GDI engines.

2. Applicable Manuals:

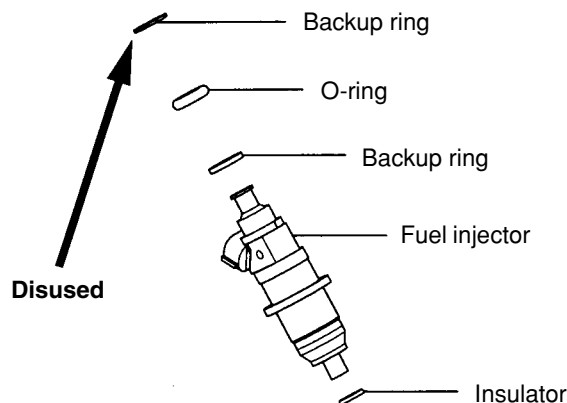
See attachment.

3. Effective date:

From the engines produced in the middle of July 2002. This modification is also applicable to the engines produced before that date, as modified injectors will be supplied as service parts for these engines.

4. Details:

The backup ring indicated by the arrow in the drawing below has been disused.



Attachment**Applicable Manuals:**

Manual	Pub. No.	Page
ENGINE 4G6 (E-W) Workshop Manual	PWEE9616 (English)	11A-5a-1, 11A-5a-2a
	PWES9617 (Spanish)	
	PWEF9618 (French)	
	PWEG9619 (German)	
	PWED9620 (Dutch)	
	PWEW9621 (Swedish)	
ENGINE 4G9 (E-W) Workshop Manual	PWEE9502 (English)	11A-6c-1, 11A-6c-1a, 11A-6c-1b, 11A-6c-2
	PWES9503 (Spanish)	
	PWEF9504 (French)	
	PWEG9505 (German)	
	PWED9506 (Dutch)	
	PWEW9507 (Swedish)	
ENGINE 6G7 (E-W) Workshop Manual	PWEE9061 (English)	11A-6c-1, 11B-8-3
	PWES9062 (Spanish)	
	PWEF9063 (French)	
	PWEG9064 (German)	
	PWED9065 (Dutch)	
	PWEW9066 (Swedish)	
'98 CARISMA GDI Workshop Manual chassis	PWDE9502-C (English)	13J-103, 104
	PWDS9503-C (Spanish)	
	PWDF9504-C (French)	
	PWDG9505-C (German)	
	PWDD9506-C (Dutch)	
	PWDW9507-C (Swedish)	
2001 CARISMA Workshop Manual chassis	PWDE9502-E (English)	13J-134, 135
	PWDS9503-E (Spanish)	
	PWDF9504-E (French)	
	PWDG9505-E (German)	
	PWDD9506-E (Dutch)	
	PWDW9507-E (Swedish)	